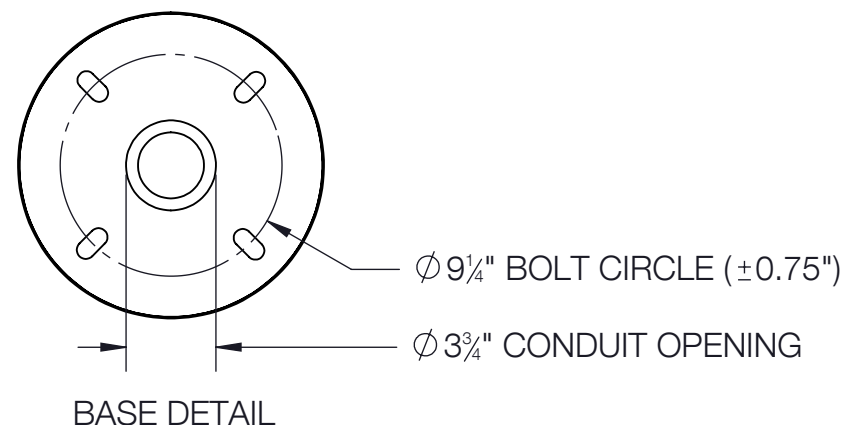
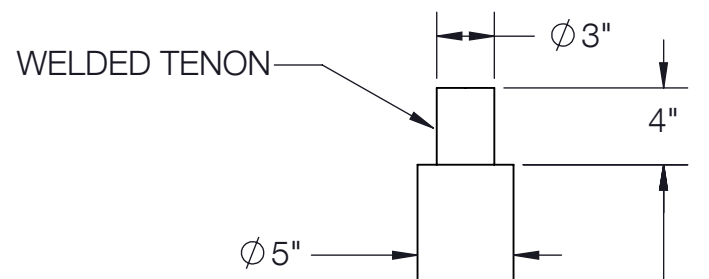


REV	CHANGED BY	DESCRIPTION	DATE



STANDARD 0.75 X 17.00 X 3.00  
ANCHOR BOLTS AND TEMPLATE  
SUPPLIED WITH POLE OR IN ADVANCE  
ANCHOR PART NUMBER: B10RHNE1-AB

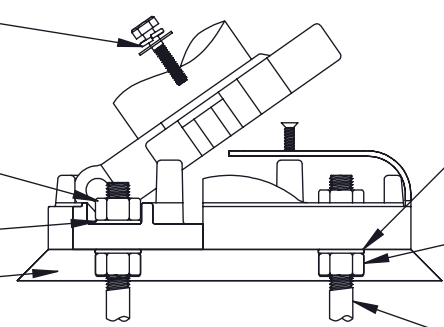
5" OD NON-TAPERED  
ALUMINUM POLE  
W/ HINGED BASE

(3) 1/2"-13 SS HEX HEAD  
TOP RETAINING BOLTS W/  
SS FLAT WASHERS AND  
SPLIT LOCKWASHER

(4) 3/4"-10  
TOP NUTS

(4) 3/4"ID X 1-1/2" OD  
FLAT WASHERS

GROUT



(4) 3/4"ID X 1-1/2" OD  
FLAT WASHERS

(4) 3/4"-10  
LEVELING NUTS

(4) 3/4"-10 X 17" LG  
ANCHOR BOLTS

HINGE & ANCHOR DETAIL

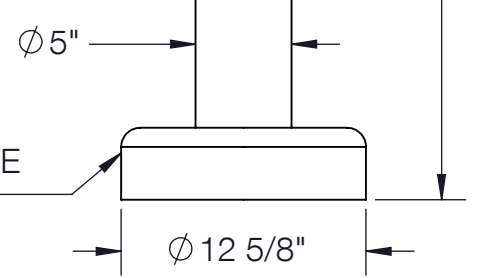
NOTE: ADEQUATE DRAINAGE  
MUST BE PROVIDED IN  
FOUNDATION OR GROUT. DO  
NOT SEAL THE BASE OF THE  
POLE.

CAUTION: RAISING OR LOWERING OF THE POLE REQUIRES ADEQUATE  
PREPERATION. DO NOT UNDERESTIMATE THE FORCE REQUIRED TO  
RAISE OR LOWER POLES WITH HEAVY LUMINAIRES AT THE TOP.

POLE WIND LOAD RATING, ALLOWS FOR 1.3 GUST FACTOR*								
MPH	85	90	100	110	120	130	140	150
EPA**	12.8	11.2	8.9	7.3	6.1	5.1	4.4	3.7

\*PER AASHTO 2013 WIND MAP  
\*\*DATA ABOVE ASSUMES GRADE LEVEL INSTALLATION  
AND A MAXIMUM LUMINAIRE WEIGHT OF 50 LBS.

DISCLAIMER:  
BEGA NORTH AMERICA WARRANTS THE SPECIFIC ANCHOR BOLTS & POLE  
COMBINATION ACCORDING TO THE PRODUCT NUMBER(S) AND DESCRIPTION(S).  
STRUCTURAL CHANGES TO THE POLE REQUESTED BY THE CUSTOMER INCLUDING  
CHANGES TO THE POLE LENGTH, MAY AFFECT THE COMPATIBILITY OF THE ANCHOR  
BOLTS AND CORRESPONDING POLES. BEGA NORTH AMERICA IS NOT RESPONSIBLE  
FOR THE INCOMPATIBILITY OF THE ANCHOR BOLTS AND POLES RESULTING FROM SUCH  
STRUCTURAL CHANGES WITHOUT REVIEW BY THE BEGA NORTH AMERICA ENGINEERING  
DEPARTMENT. THIS INCLUDES BUT IS NOT LIMITED TO; ANY LABOR CHARGES,  
CHARGES FOR REPLACEMENT MATERIALS, AND SHIPPING. FOR SAFETY REASONS, DO  
NOT MOUNT MORE THAN MORE THAN 50 LBS. TO HINGED POLES AND MORE THAN 62  
LBS. TO FIXED POLES. POLE CAPACITIES ARE BASED UPON THE PROVISIONS OF  
AASHTO 2013 (LTS-6) AND ASSUME A MAX VERTICAL ECCENTRICITY TO THE FIXTURE OF  
2'-0" ABOVE THE POLE TOP. ADEQUATE DRAINAGE MUST BE PROVIDED IN CONCRETE  
FOUNDATION OR GROUT. DO NOT SEAL THE BASE OF THE POLE. DUE TO STRUCTURAL  
REASONS, DO NOT INSTALL POLE WITHOUT FIXTURE OR OTHER APPROPRIATE WEIGHT  
ON THE TOP.



2-PIECE ROUND BASE  
COVER (INCLUDED)

**BEGA**  
1000 BEGA Way, Carpinteria, California 93013 P (805) 684-0533 - www.bega-us.com

APPROVED: _____ DATE: _____	DESCRIPTION: ALUMINUM POLE ROUND HINGED NON-TAPERED HIGH EPA
TYPE: _____	SIZE: B PART NO. 10 RHNE1 REV _____
PROPRIETARY AND CONFIDENTIAL THE INFORMATION CONTAINED IN THIS DRAWING IS THE SOLE PROPERTY OF BEGA NORTH AMERICA, INC. ANY REPRODUCTION IN PART OR AS A WHOLE WITHOUT THE WRITTEN PERMISSION OF BEGA NORTH AMERICA, INC. IS PROHIBITED.	NOT TO SCALE 12/12/2023 SHEET 1 OF 1