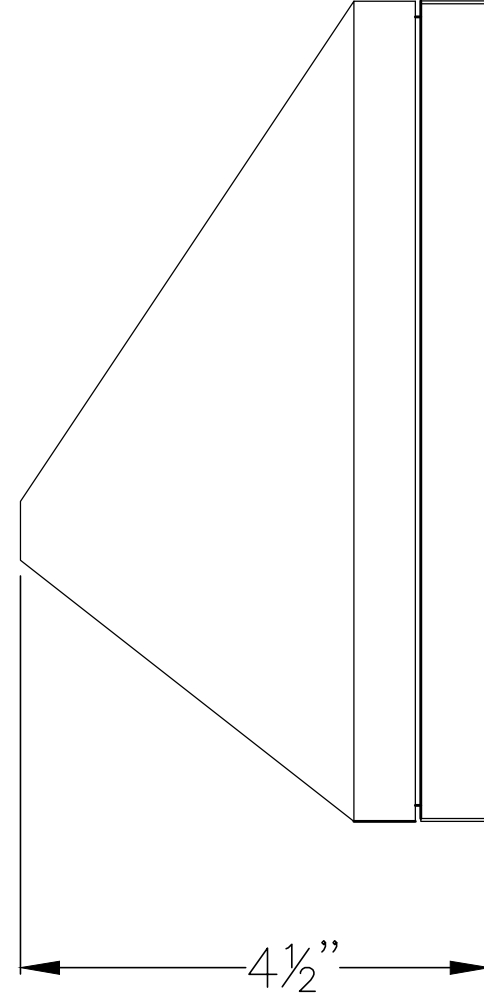
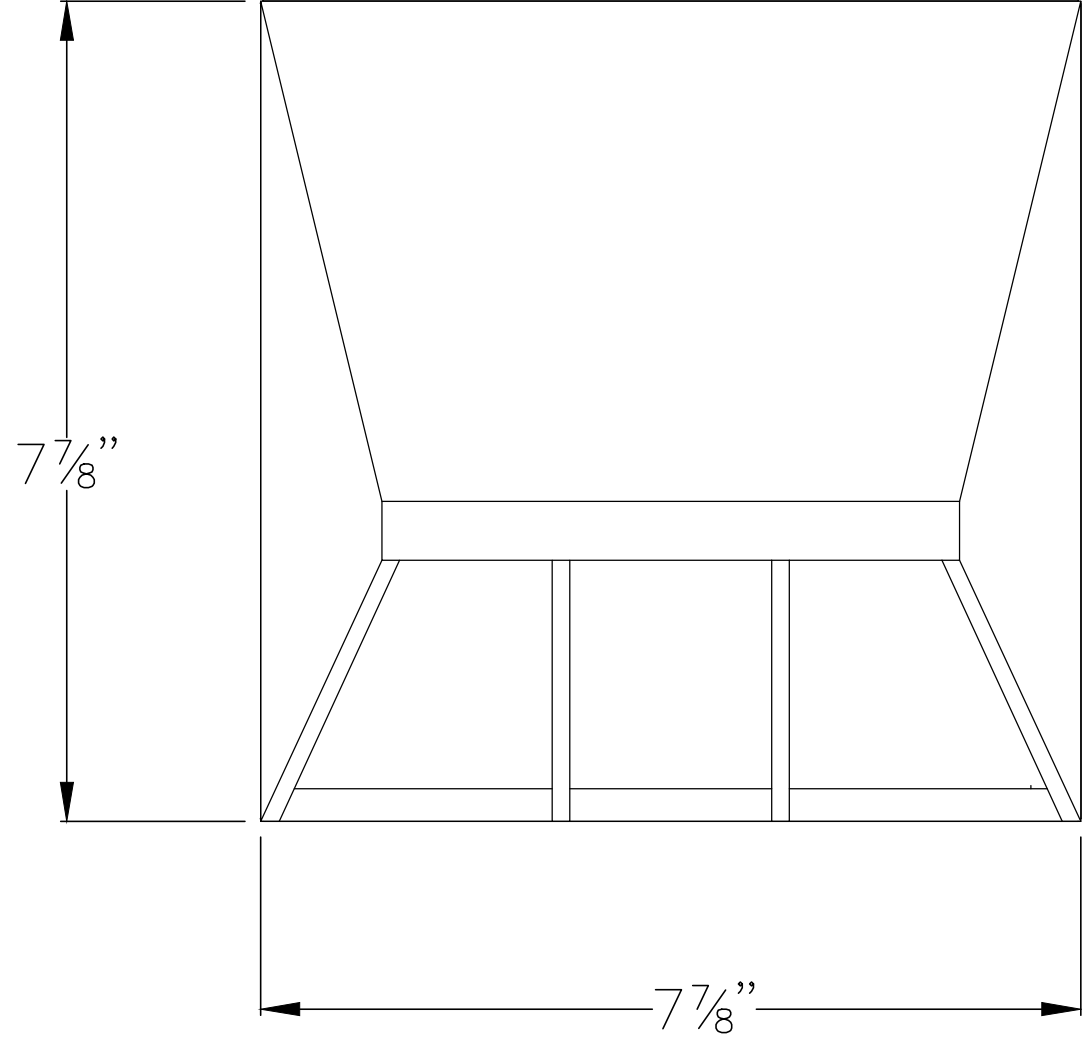


NOTES:

- 1. LUMINAIRE # 22 256 – SEE SPECIFICATIONS



TYPE: _____

SUBMITTAL APPROVAL

APPROVED BY: _____ DATE: _____

SIGNED: _____ DATE: _____

| REV. | DATE | DESCRIPTION |
|------|------|-------------|
| | | |

CAT NO.: 22 256

PROJECT: -

LOCATION: -

DRAWN: AV DATE: 7/2/15 File Name: 22256.dxf

BEGA

1000 Bega Way
Carpinteria, Ca. 93013
(805) 684-0533

This print contains confidential information which is the property of BEGA U.S. By acceptance this information, the borrower agrees that it will not be used for any other purpose other than that which is was loaned.