

Tools Required:

- Flat head screwdriver
- Phillips head screwdriver



Dimensions

A: 5-1/8

B: 5-1/4



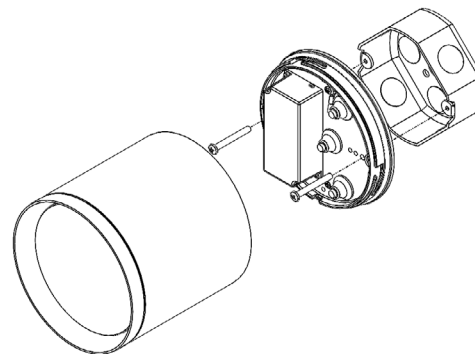
Overview:

LED Watts: 16.8W
 System Watts: 20.0W
 Controllability: 0-10V, TRIAC, and ELV dimmable
 Weight: 3.1 lbs.
 Protection Class: IP65

Notice to Installer:

1. BEGA luminaires may be damaged if connected to conduit systems containing water- Article 300-5G of National Electric Code requires that “Conduits or raceways through which moisture may contact energized live parts shall be sealed or plugged at either or both ends”
2. Fixture mounts directly to recessed 4” octagonal wiring box (by others) using hardware (by others).
3. In order to maintain wet location listing, fixture must be used with finished ceiling construction. Do not install in open ceilings, corrugated ceilings, exposed beams, or in any installation where the top of the fixture is exposed to the elements.
4. In conformance with U.L. Standards 1598, a silicone-based sealant **MUST** be used between the mounting plate edge and supporting wall.

Figure 1:



Luminaire 24411 Installation:

1. Fixture mounts directly to recessed 4” octagonal wiring box (by others) using hardware (by others).
2. Detach mounting plate from fixture by turning it counter-clockwise.
3. Disconnect the quick-connect between the LED and driver.
4. Make supply wiring and LED driver connections in wiring box:
 MAIN VOLTAGE SUPPLY WIRE TO BLACK LED DRIVER WIRE
 NEUTRAL (COMMON) SUPPLY WIRE TO WHITE LED DRIVER WIRE
 GREEN GROUND WIRE TO GREEN LUMINAIRE WIRE
 0-10V Dimming (if applicable):
 DIMMING CONTROL WIRE (+) TO POSITIVE DRIVER DIM CONTROL WIRE
 DIMMING CONTROL WIRE (-) TO NEGATIVE DRIVER DIM CONTROL WIRE
5. Use suitable mounting hardware (by others) to attach the mounting plate directly to the recessed wiring box.
6. Connect quick connect between LED and driver and replace fixture over mounting plate. Turn clockwise to lock into place. Use caution and watch for pinched wires.
7. Place a small bead of silicone between the mounting plate and the finished surface (exterior applications only).

Accessories

Please refer to the appropriate accessory installation sheet for further instruction when applicable.

Maintenance:

Clean regularly with solvent-free cleaner removing dirt and debris. Do not use high pressure cleaners.

Replacement Parts

See label inside of fixture for LED replacement part number.

Consult factory for all other replacement components.

Product Safety Warnings:

THIS PRODUCT MUST BE INSTALLED IN ACCORDANCE WITH THE APPLICABLE INSTALLATION CODE BY A PERSON FAMILIAR WITH THE CONSTRUCTION AND OPERATION OF THE PRODUCT AND THE HAZARDS INVOLVED. SUITABLE FOR WET LOCATIONS. SUITABLE FOR MOUNTING WITHIN 1.2 m (4 ft) OF THE GROUND MIN 60°C SUPPLY CONDUCTORS.

CE PRODUIT DOIT ÊTRE INSTALLÉ SELON LE CODE D'INSTALLATION PERTINENT, PAR UNE PERSONNE QUI CONNAÎT BIEN LE PRODUIT ET SON FONCTIONNEMENT AINSI QUE LES RISQUES INHÉRENTS. CONVIENT AUX EMPLACEMENTS MOUILLÉS. PEUT ÊTRE INSTALLÉ À MOINS DE 1,2 m (4 pi) DU SOL LES FILS D'ALIMENTATION 60°C MIN.