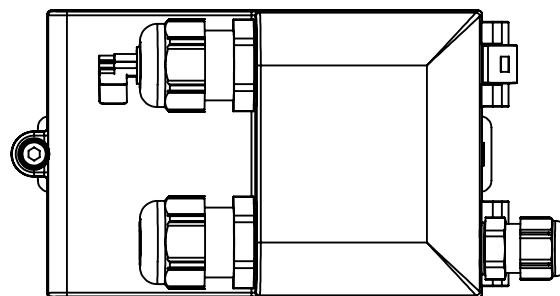
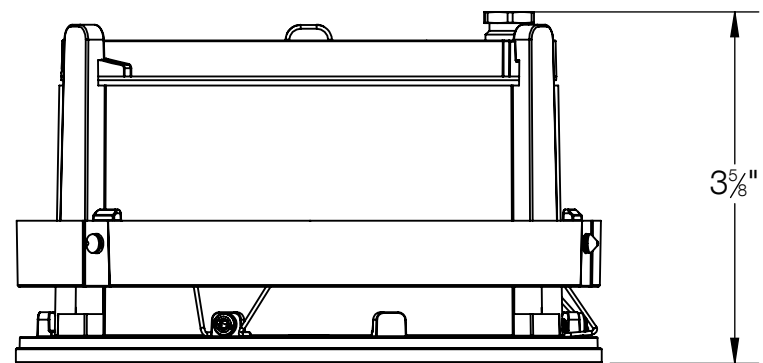
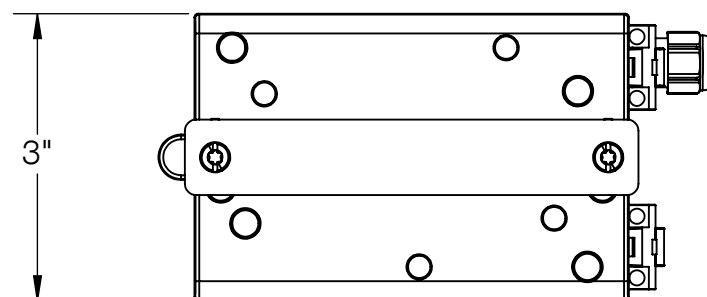
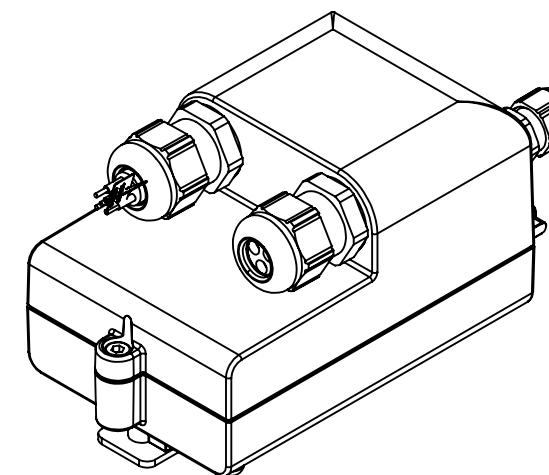
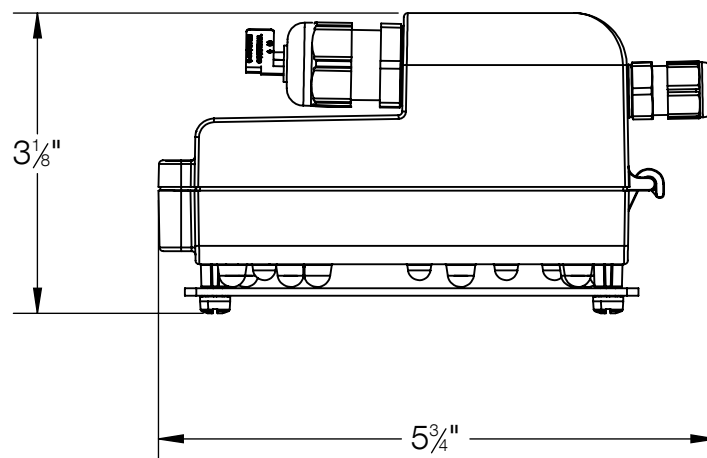
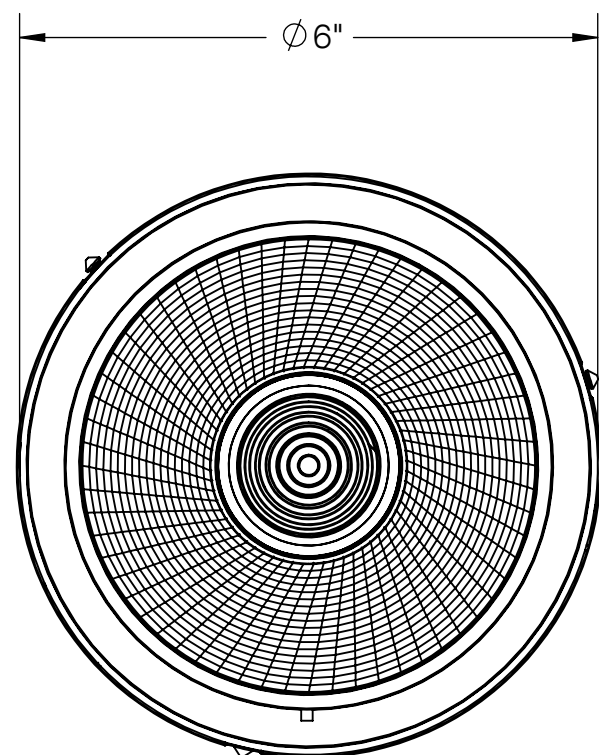
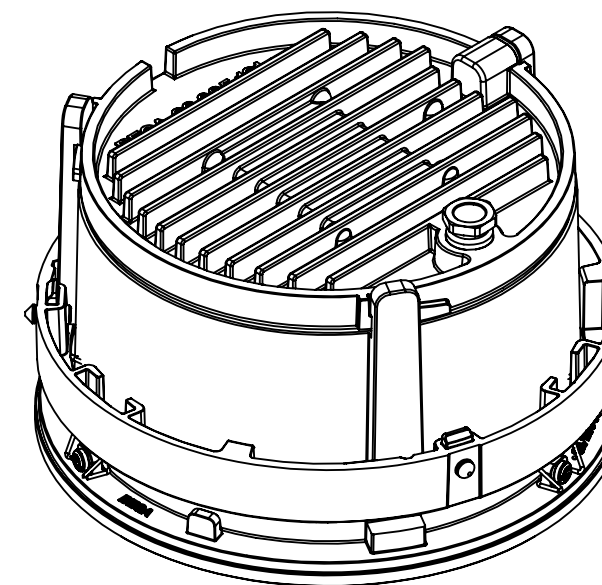


REV	CHANGED BY	DESCRIPTION	DATE



DRIVER BOX (INCLUDED)



- NOTES:
1. LUMINAIRE HOUSING AND DRIVER BOX ARE ENTIRELY CONTAINED WITHIN INSTALLATION HOUSING.
 2. LUMINAIRE PROVIDED WITH INSTALLATION HOUSING SUITABLE FOR USE IN POURED CONCRETE CEILING - BB24485
 3. LUMINAIRE OPTIONALLY PROVIDED WITH INSTALLATION HOUSING SUITABLE FOR USE IN POURED CONCRETE CEILING WITH PLASTER FINISH - BB24497

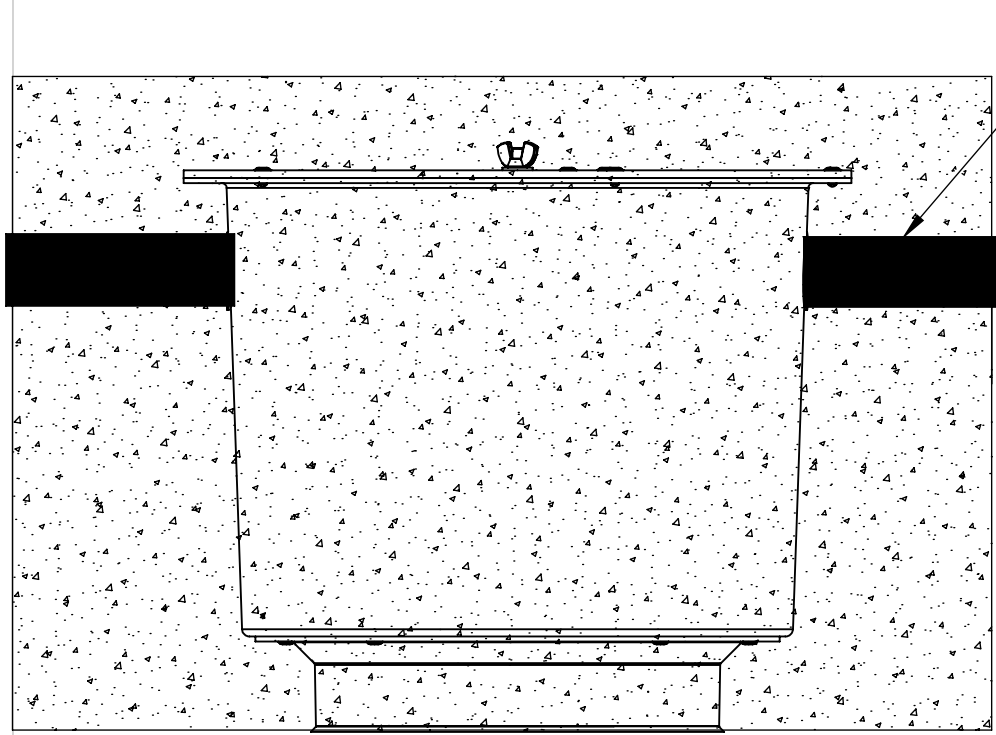
BEGA

1000 BEGA Way, Carpinteria, California 93013 P (805) 684-0533 - www.bega-us.com

APPROVED: _____ DATE: _____ DESCRIPTION: DOWNLIGHT - NARROW BEAM
 TYPE: _____

PROPRIETARY AND CONFIDENTIAL THE INFORMATION CONTAINED IN THIS DRAWING IS THE SOLE PROPERTY OF BEGA NORTH AMERICA, INC. ANY REPRODUCTION IN PART OR AS A WHOLE WITHOUT THE WRITTEN PERMISSION OF BEGA NORTH AMERICA, INC. IS PROHIBITED.	SIZE	PART NO.	REV
	B	24485	-
NOT TO SCALE		12/15/2022	SHEET 1 OF 3

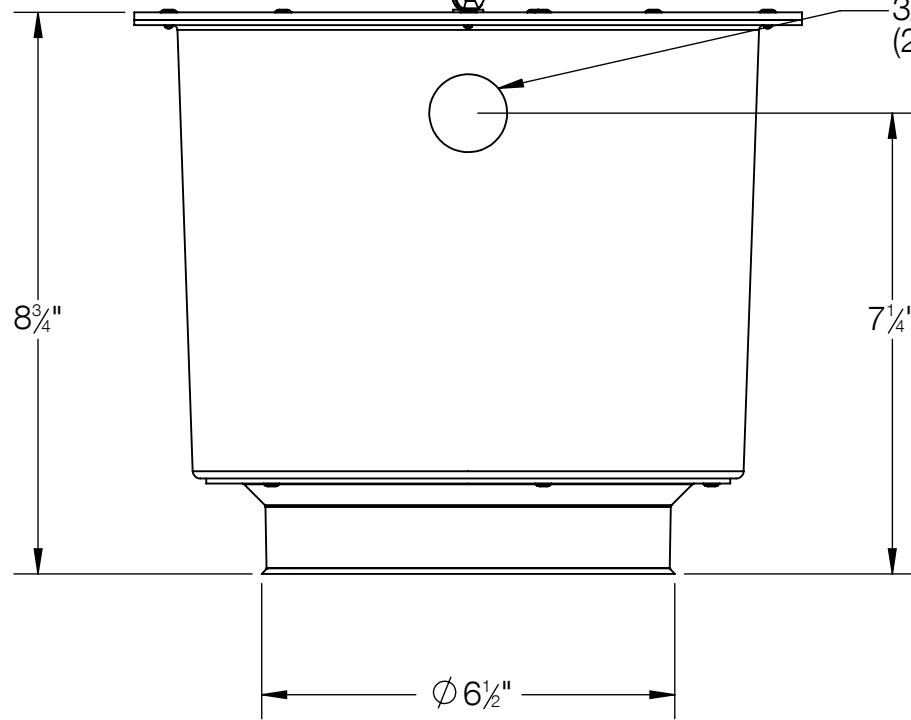
REV	CHANGED BY	DESCRIPTION	DATE



CONDUIT

THREADED ROD & WINGNUT

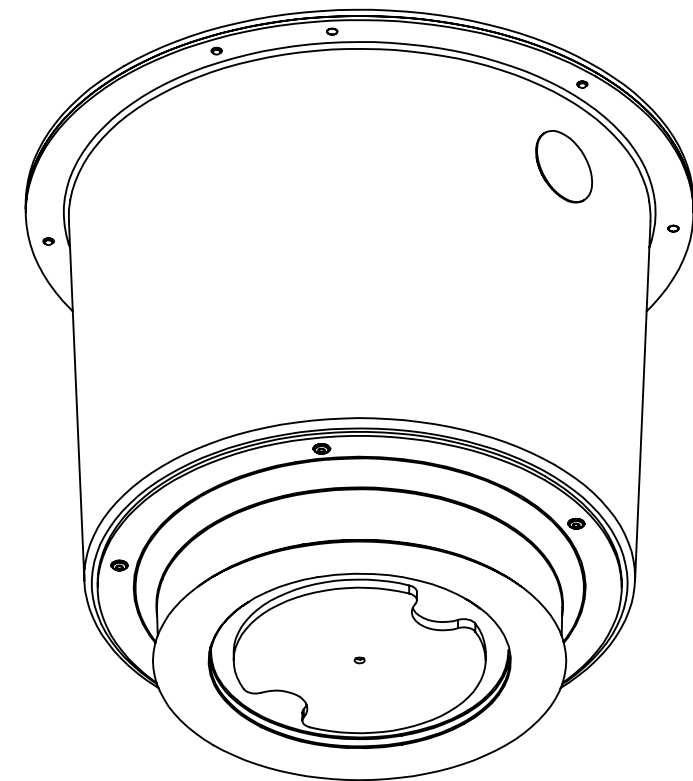
3/4" CONDUIT ENTRY
(2 PLACES)



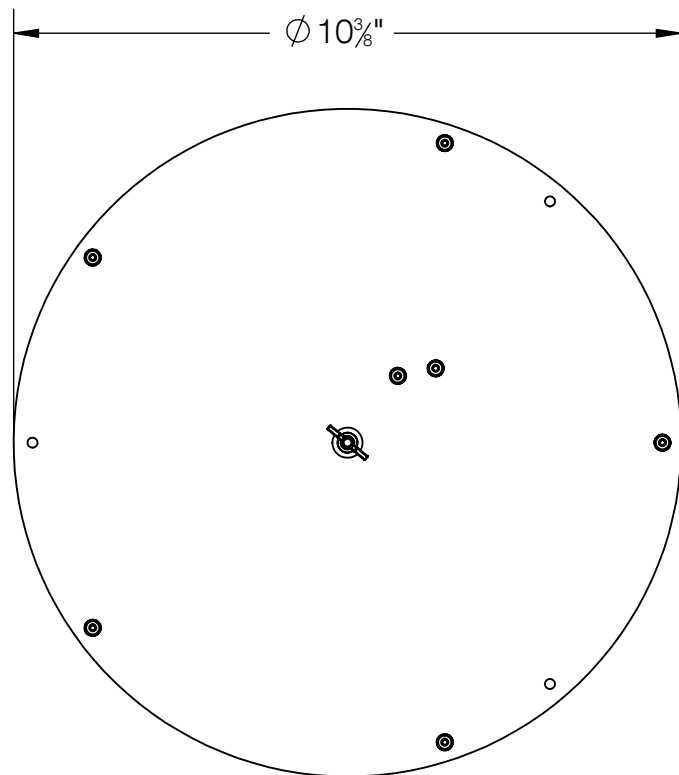
8 3/4"

7 1/4"

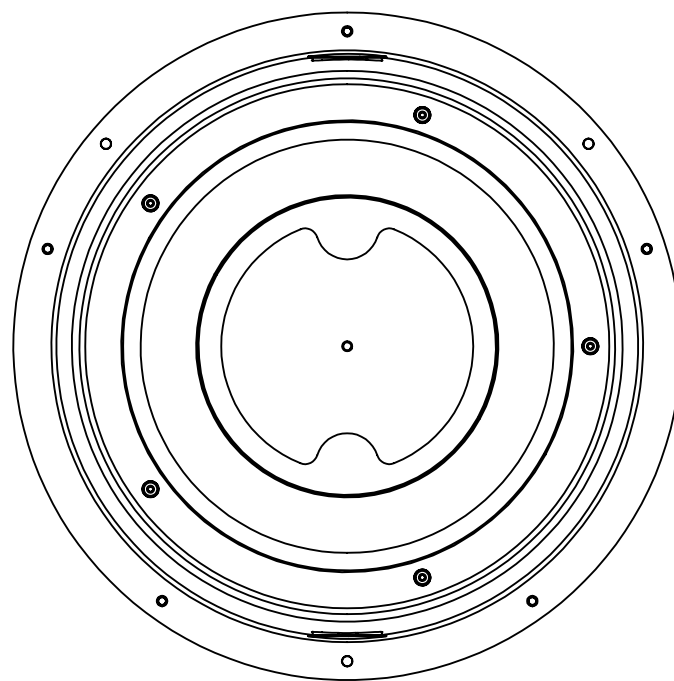
Ø 6 1/2"



INSTALLATION HOUSING FOR
CONCRETE CONSTRUCTION



TOP VIEW



BOTTOM VIEW

- NOTES:
 -INSTALLATION HOUSING SUITABLE FOR Poured CONCRETE CONSTRUCTION
 -INSTALLATION HOUSING PROVIDED WITH THREADED ROD AND WING NUT TO SECURE INTO CONCRETE FORM
 -INSTALLATION HOUSING PROVIDED WITH (2) 3/4" CONDUIT ENTRIES AT 180°
 -PROVIDED WITH KIT #102 - GASKET PLUG KIT

BEGA

1000 BEGA Way, Carpinteria, California 93013

P (805) 684-0533 - www.bega-us.com

APPROVED: _____ DATE: _____

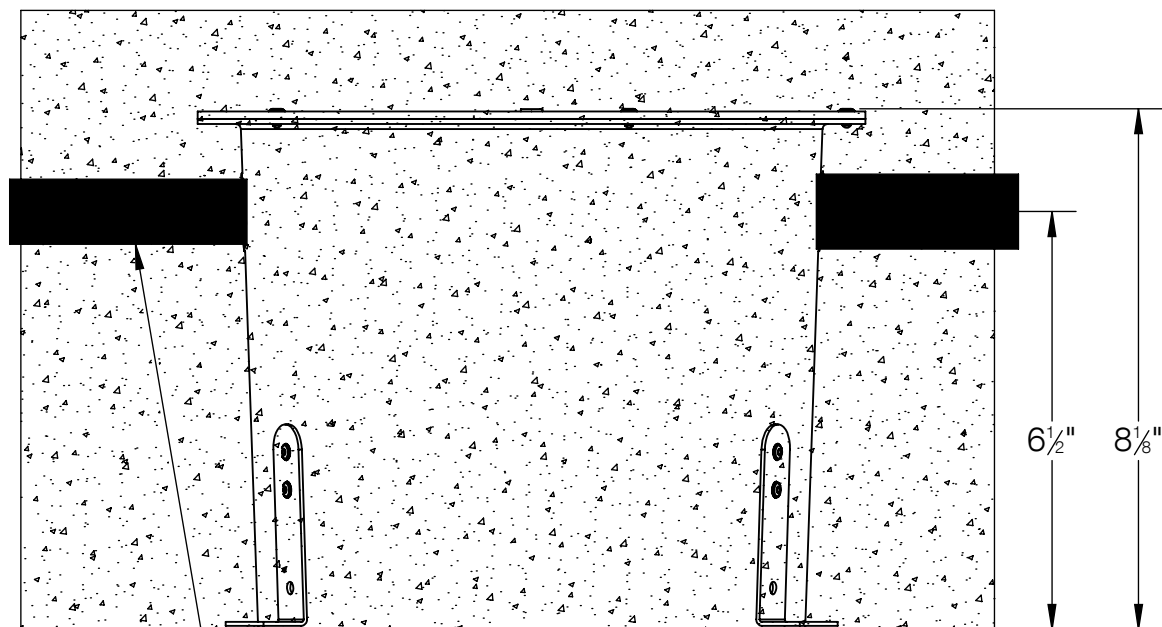
DESCRIPTION: STANDARD
INSTALLATION HOUSING

TYPE: _____

PROPRIETARY AND CONFIDENTIAL
 THE INFORMATION CONTAINED IN THIS DRAWING IS THE SOLE PROPERTY OF BEGA NORTH AMERICA, INC.
 ANY REPRODUCTION IN PART OR AS A WHOLE WITHOUT THE WRITTEN PERMISSION OF BEGA NORTH AMERICA, INC. IS PROHIBITED.

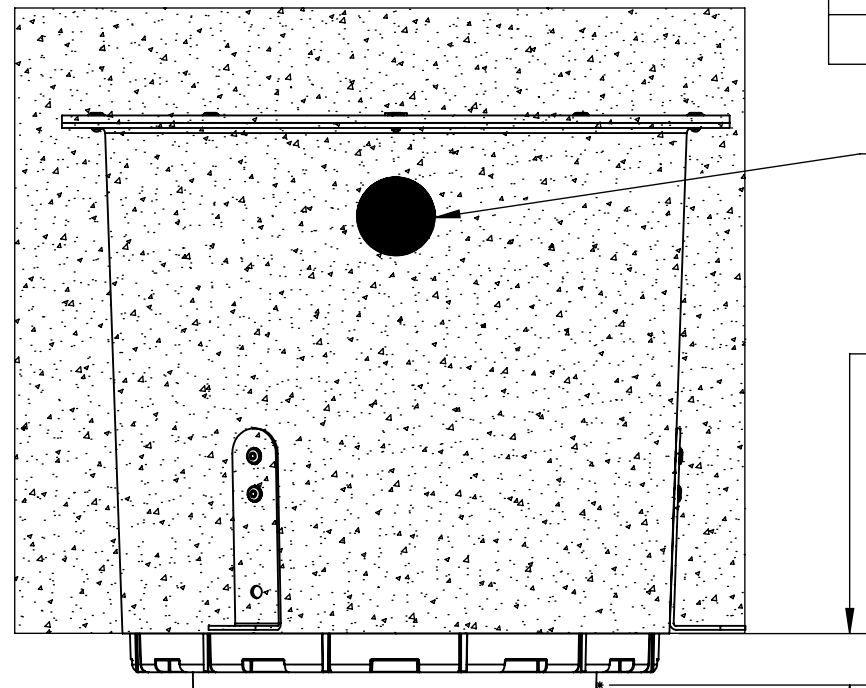
SIZE	PART NO.	REV
B	BB24485	-
NOT TO SCALE	12/15/2022	SHEET 2 OF 3

REV	CHANGED BY	DESCRIPTION	DATE



CONDUIT

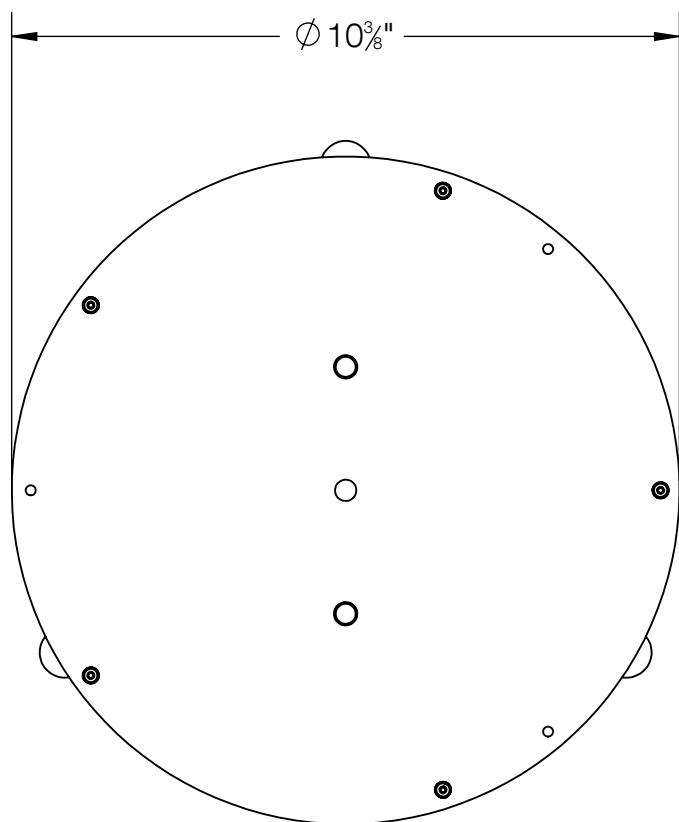
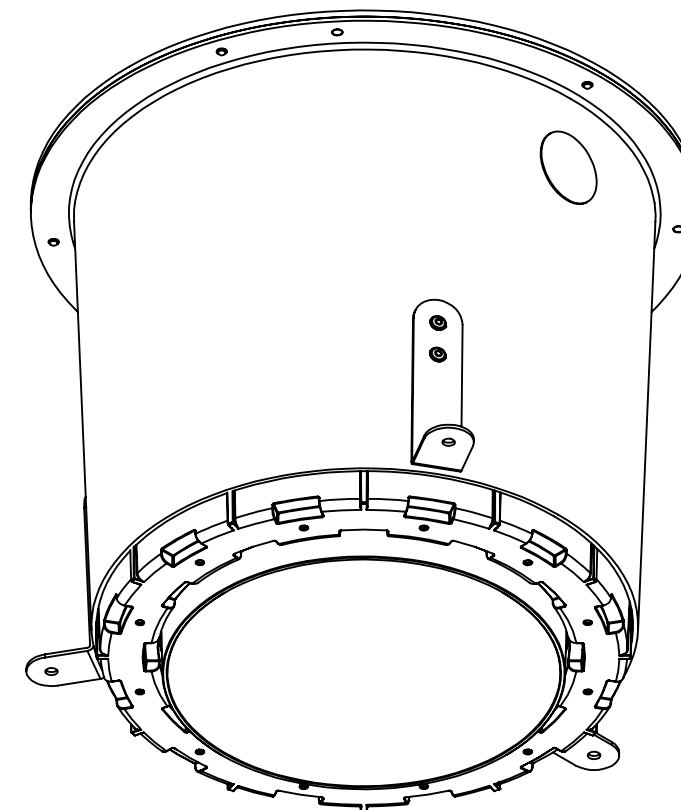
INSTALLATION HOUSING FOR CONCRETE CONSTRUCTION SHOWN BEFORE PLASTER RING INSTALLATION



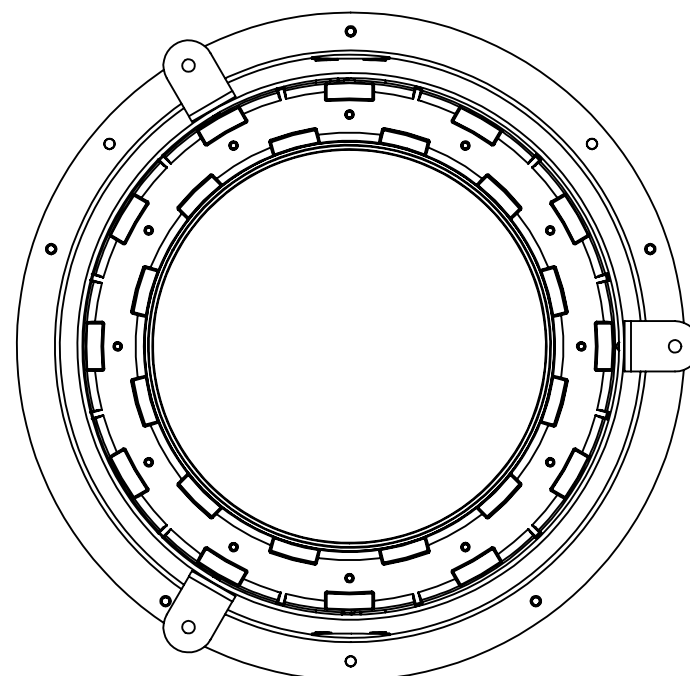
3/4" CONDUIT ENTRY (2 PLACES)

3/4" MAXIMUM PLASTER THICKNESS

INSTALLATION HOUSING FOR CONCRETE CONSTRUCTION SHOWN WITH ADJUSTABLE PLASTER RING



TOP VIEW



BOTTOM VIEW SHOWN WITH ADJUSTABLE PLASTER RING

- NOTES:
- INSTALLATION HOUSING SUITABLE FOR POURED CONCRETE CONSTRUCTION WITH ADJUSTABLE PLASTER RING
 - INSTALLATION HOUSING PROVIDED WITH THREADED ROD AND WING NUT TO SECURE INTO CONCRETE FORM
 - INSTALLATION HOUSING PROVIDED WITH (2) 3/4" CONDUIT ENTRIES AT 180°
 - MAXIMUM PLASTER THICKNESS 3/4"

BEGA

1000 BEGA Way, Carpinteria, California 93013

P (805) 684-0533 - www.bega-us.com

APPROVED: _____ DATE: _____
TYPE: _____

DESCRIPTION: OPTIONAL
INSTALLATION HOUSING

PROPRIETARY AND CONFIDENTIAL
THE INFORMATION CONTAINED IN THIS DRAWING IS THE SOLE PROPERTY OF BEGA NORTH AMERICA, INC.
ANY REPRODUCTION IN PART OR AS A WHOLE WITHOUT THE WRITTEN PERMISSION OF BEGA NORTH AMERICA, INC. IS PROHIBITED.

SIZE	PART NO.	REV
B	BB24497	-
NOT TO SCALE	12/15/2022	SHEET 3 OF 3