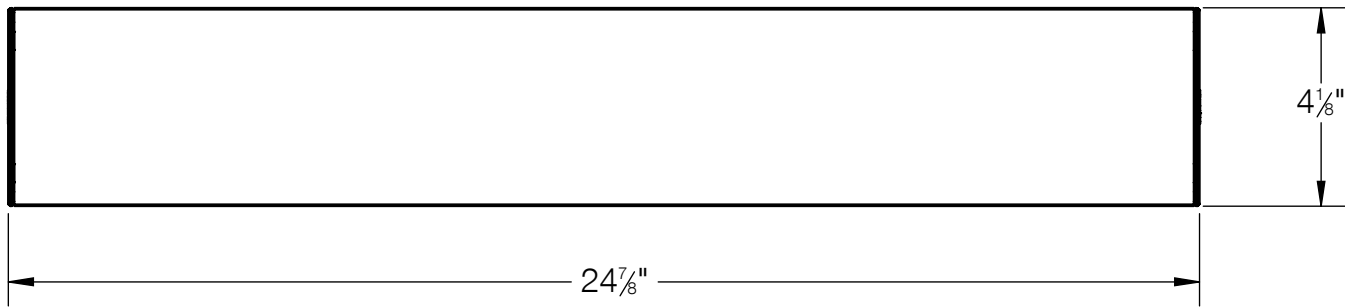
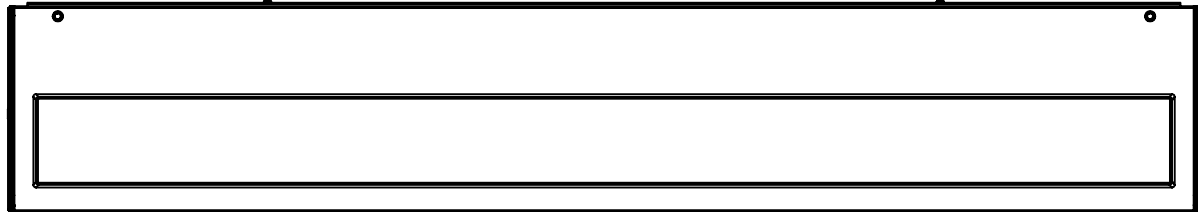
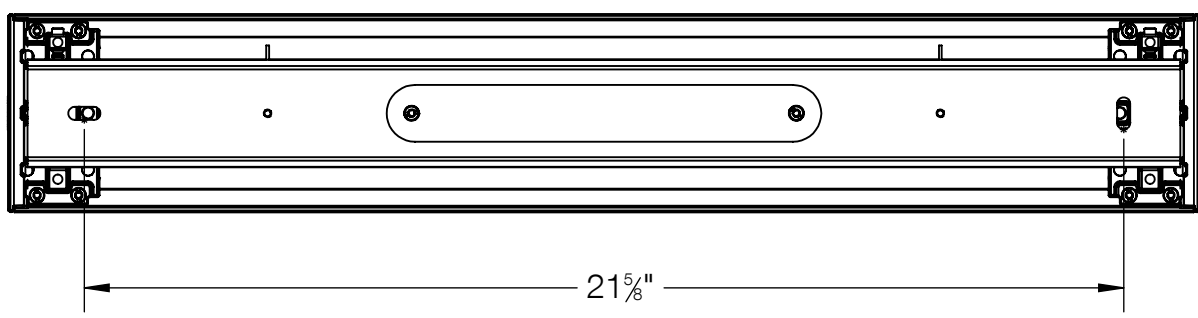
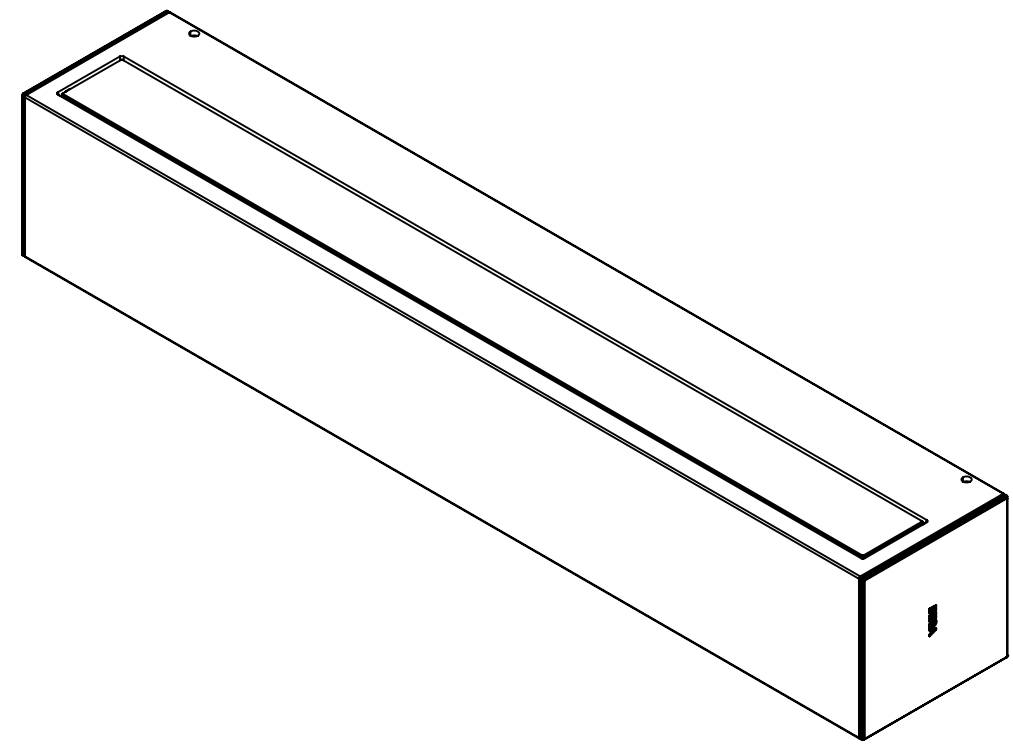
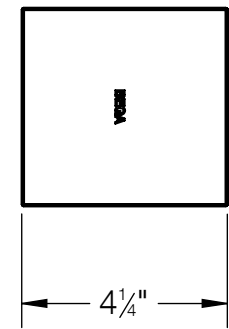


REV	CHANGED BY	DESCRIPTION	DATE



FRONT VIEW



BACK VIEW
(MOUNTING DETAIL)

- NOTES:
- LUMINAIRE CAN BE MOUNTED IN ANY ORIENTATION

BEGA		1000 BEGA Way, Carpinteria, California 93013		P (805) 684-0533 - www.bega-us.com	
APPROVED: _____ DATE: _____		DESCRIPTION: WALL LUMINAIRE - LIGHT EMISSION ON ONE SIDE			
TYPE: _____		SIZE	PART NO.	REV	
PROPRIETARY AND CONFIDENTIAL THE INFORMATION CONTAINED IN THIS DRAWING IS THE SOLE PROPERTY OF BEGA NORTH AMERICA, INC. ANY REPRODUCTION IN PART OR AS A WHOLE WITHOUT THE WRITTEN PERMISSION OF BEGA NORTH AMERICA, INC. IS PROHIBITED.		B	24640	-	
NOT TO SCALE		5/18/2026	SHEET 1 OF 1		