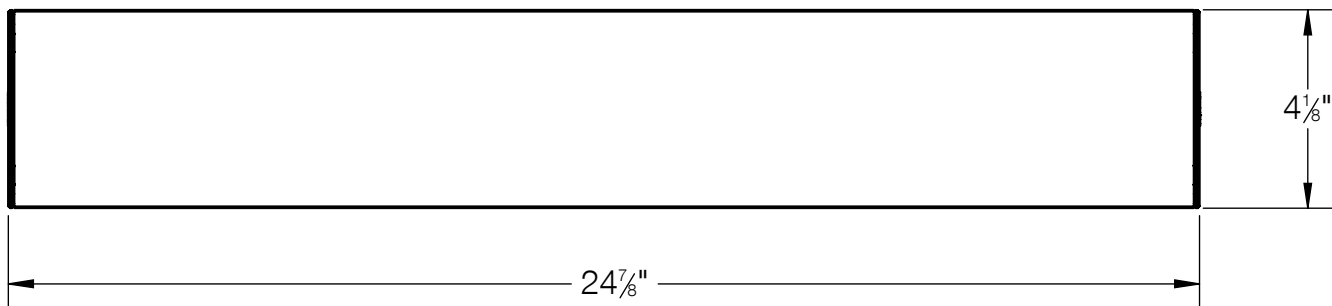
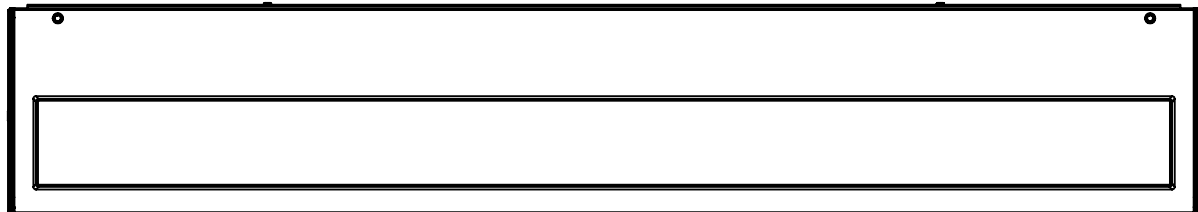
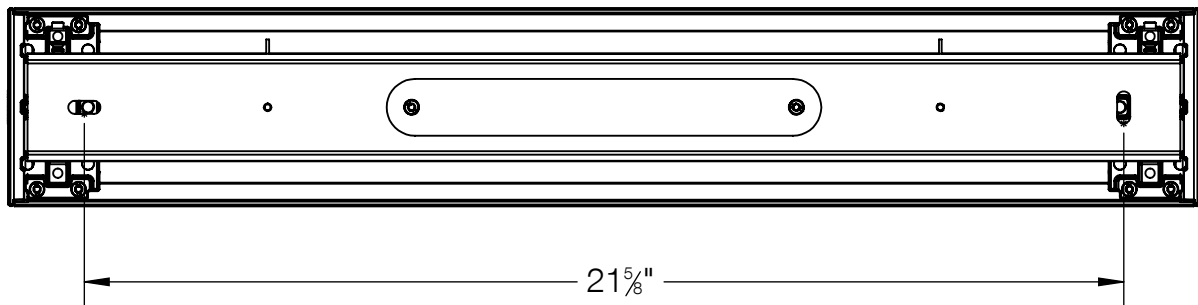
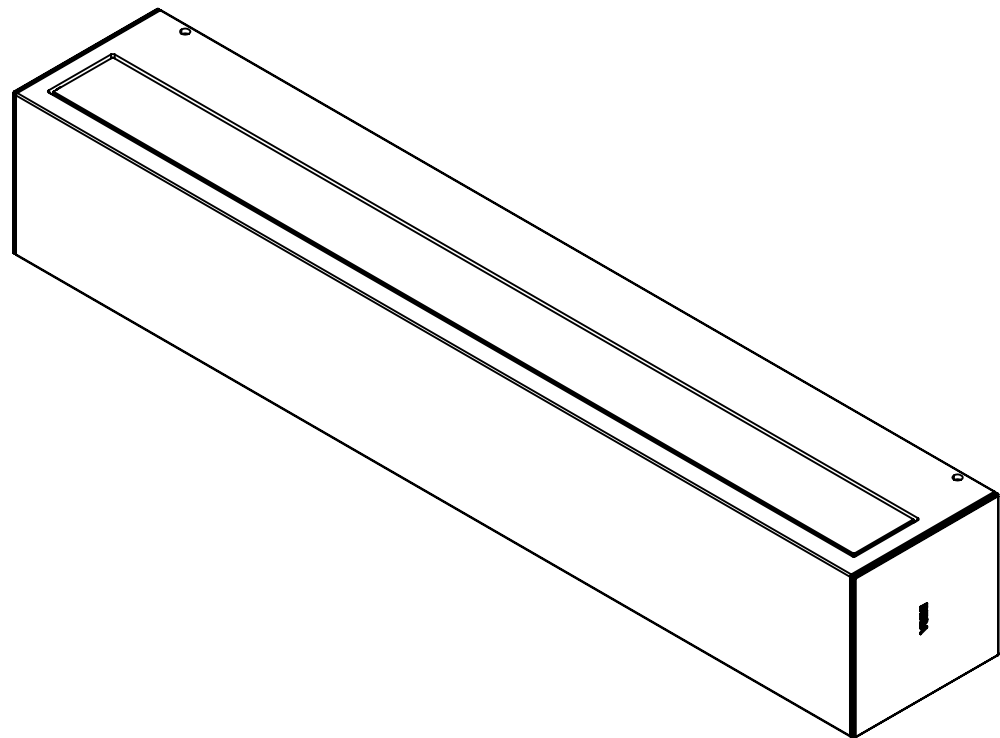
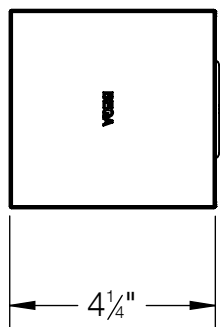


REV	CHANGED BY	DESCRIPTION	DATE



FRONT VIEW



BACK VIEW
(MOUNTING DETAIL)

- NOTES:
- LUMINAIRE CAN BE MOUNTED IN ANY ORIENTATION

BEGA

1000 BEGA Way, Carpinteria, California 93013 P (805) 684-0533 - www.bega-us.com

APPROVED: _____ DATE: _____
TYPE: _____

DESCRIPTION: WALL LUMINAIRE - LIGHT
EMISSION ON TWO SIDES

PROPRIETARY AND CONFIDENTIAL
THE INFORMATION CONTAINED IN THIS DRAWING IS THE SOLE PROPERTY
OF BEGA NORTH AMERICA, INC.
ANY REPRODUCTION IN PART OR AS A WHOLE WITHOUT THE WRITTEN
PERMISSION OF BEGA NORTH AMERICA, INC. IS PROHIBITED.

SIZE	PART NO.	REV
B	24643	-

NOT TO SCALE	5/18/2026	SHEET 1 OF 1
--------------	-----------	--------------