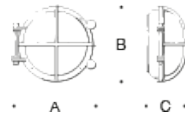


**Tools Required:**

Phillips medium screwdriver



**Dimensions**

**A:** 8-1/2"

**B:** 7-7/8"

**C:** 6-1/4"



**Protection Class:** IP65

**Weight:** 10.8 lbs.

**Notice to Installer for 31 120:**

1. See page 2 for specific product safety warnings.
2. For wall applications only.
3. Mounts directly to a standard recessed 4" octagonal wiring box (by others) using adaptor plate (provided).
4. This product must be installed in accordance with the applicable installation code by a person familiar with the construction and operation of the product and the hazards involved.
5. In conformance with UL Standard 1598, a silicone based sealant must be used between luminaire and supporting wall.

**NOTE:** LEDs are high-quality electronic components! Please avoid touching them directly during installation.

**NOTE:** This luminaire is made of bronze and is delivered with the metal's natural finish. Time and weather factors will create a natural patina on the bronze.

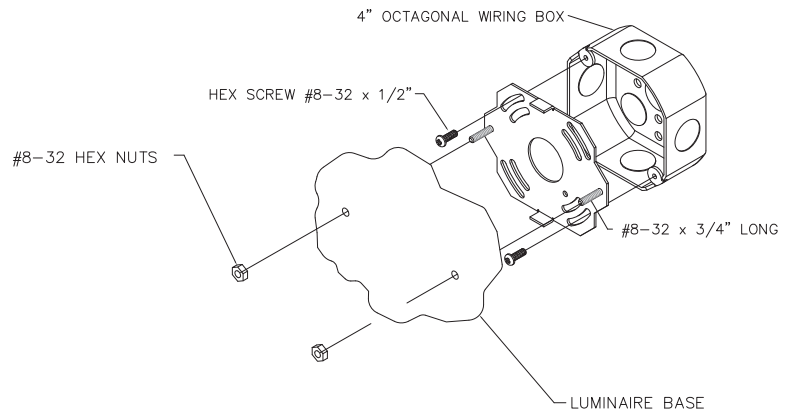
**31 120 - installation:**

1. Loosen (2) thumb screws to open front of luminaire.
2. Install (2) long 8-32 x 3/4" mounting screws (provided) in the back of the adaptor plate as shown.
3. Attach adaptor plate to wiring box using (2) 8-32 x 1/2" screws provided. Feed luminaire wires through luminaire base and adaptor plate.
4. Make supply wiring connections inside the linear wiring box:  
 MAIN VOLTAGE SUPPLY WIRE TO BLACK LUMINAIRE WIRE  
 NEUTRAL (COMMON) SUPPLY WIRE TO WHITE LUMINAIRE WIRE  
 GREEN GROUND WIRE TO GREEN LUMINAIRE WIRE

**Dimming (if applicable):**

DIMMING CONTROL WIRE (+) TO POSITIVE DRIVER DIM CONTROL WIRE  
 DIMMING CONTROL WIRE (-) TO NEGATIVE DRIVER DIM CONTROL WIRE

5. Place a small bead of silicone around the back side of the luminaire base that will come in contact with the finished wall (exterior applications only).
6. Attach luminaire to adaptor plate over the mounting screws using the (2) acorn nuts provided in the mounting kit. Tighten the nuts to back the screws into the wiring box and secure the plate to the box.
7. Tighten (2) thumb screws evenly, making sure the gasket is seated properly.



**Relamping/Maintenance**

No relamping necessary.

**Accessories**

Please refer to the appropriate accessory installation sheet for further instruction when applicable.

**Replacement Parts**

Description	Part No
Glass	11259911
Gasket	830792.1
LED Module (3000K)	LED-0416/830
LED Driver (120-277V)	76023

**Lamp:** 6.3W LED

In the interest of product improvement, BEGA reserves the right to make technical changes without notice.

## Product Safety Warnings:

**THIS PRODUCT MUST BE INSTALLED IN ACCORDANCE WITH THE APPLICABLE INSTALLATION CODE BY A PERSON FAMILIAR WITH THE CONSTRUCTION AND OPERATION OF THE PRODUCT AND THE HAZARDS INVOLVED. SUITABLE FOR WET LOCATIONS.**

**MIN 90°C SUPPLY CONDUCTORS.**

**CE PRODUIT DOIT ÊTRE INSTALLÉ SELON LE CODE D'INSTALLATION PERTINENT, PAR UNE PERSONNE QUI CONNAÎT BIEN LE PRODUIT ET SON FONCTIONNEMENT AINSI QUE LES RISQUES INHÉRENTS. CONVIENT AUX EMPLACEMENTS MOUILLÉS.**

**LES FILS D'ALIMENTATION 90°C MIN.**