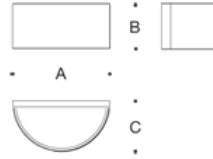


Tools Required:

- 4mm hex key
- 11/32" Nut driver
- Phillips medium screwdriver



Dimensions

- A:** 13-7/8 "
- B:** 5-1/2 "
- C:** 7-3/8 "



Protection Class: IP65

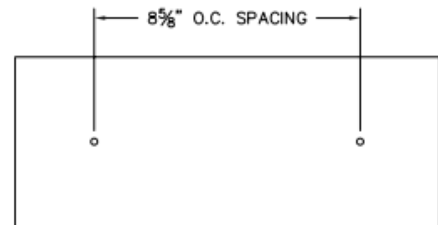
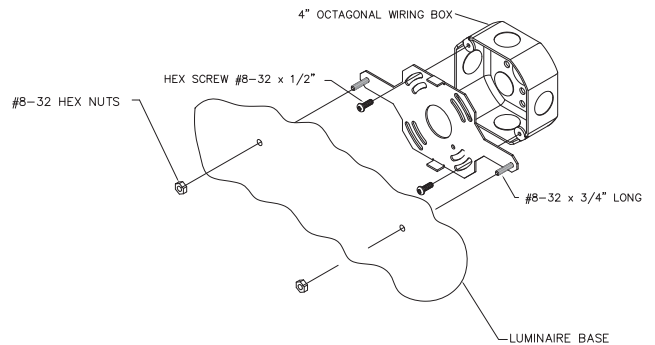
Weight: 9.5 lbs.

Notice to Installer for 33 344:

1. Mounts directly to a standard octagonal 4" wiring box (by others) using mounting kit (supplied).
2. In conformance with UL Standard 1598, a silicone based sealant must be used between luminaire and supporting wall.

33 344 - Installation:

1. Loosen (2) 4mm hex screws on front luminaire cover and remove cover, lens, and lens gasket.
2. Feed luminaire wires through fixture base and center hole in mounting plate.
3. Make supply wiring and luminaire wiring connections inside the octagonal wiring box:
 - MAIN VOLTAGE SUPPLY WIRE TO BLACK LUMINAIRE WIRE
 - NEUTRAL (COMMON) SUPPLY WIRE TO WHITE LUMINAIRE WIRE
 - GREEN GROUND WIRE TO GREEN LUMINAIRE WIRE
- Dimming (if applicable):
 - DIMMING CONTROL WIRE (+) TO POSITIVE DRIVER DIM CONTROL WIRE
 - DIMMING CONTROL WIRE (-) TO NEGATIVE DRIVER DIM CONTROL WIRE
4. Attach mounting plate (provided) to wiring box using outlet box screws (by others).
5. Place a small bead of silicone around the back side of the luminaire base that will come in contact with the finished wall (exterior applications only).
6. Use lockwashers and nuts (provided) to secure luminaire base to mounting plate.
7. Replace lens and gasket. Install cover and tighten (2) hex screws to secure, making sure that the gasket is seated properly.



MOUNTING DETAIL

Relamping/Maintenance

Loosen screws and remove cover and lens. Clean luminaire and lens using only solvent-free cleansers. Replace lens and guard and tighten screws evenly, making sure that the gasket is seated properly.

Accessories

Please refer to the appropriate accessory installation sheet for further instruction when applicable.

Replacement Parts

Description	Part No
Driver (120-277V)	76097
LED Module (3000K)	LED-0403/830A
LED Module (4000K)	LED-0403/840A

Lamp: 11.8W LED

In the interest of product improvement, BEGA reserves the right to make technical changes without notice.

Product Safety Warnings:

CAUTION - RISK OF FIRE. THIS PRODUCT MUST BE INSTALLED IN ACCORDANCE WITH THE APPLICABLE INSTALLATION CODE BY A PERSON FAMILIAR WITH THE CONSTRUCTION AND OPERATION OF THE PRODUCT AND THE HAZARDS INVOLVED. SUITABLE FOR WET LOCATIONS.

MIN 60°C SUPPLY CONDUCTORS.

ATTENTION - RISQUE D'INCENDIE. CE PRODUIT DOIT ÊTRE INSTALLÉ SELON LE CODE D'INSTALLATION PERTINENT, PAR UNE PERSONNE QUI CONNAÎT BIEN LE PRODUIT ET SON FONCTIONNEMENT AINSI QUE LES RISQUES INHÉRENTS. CONVIENT AUX EMPLACEMENTS MOUILLÉS.

LES FILS D'ALIMENTATION 60°C MIN.

In the interest of product improvement, BEGA reserves the right to make technical changes without notice.