

Tools Required:

- Philips medium screwdriver
- 4mm hex key
- 6mm hex key



Dimensions

- A:** 48"
- B:** 4-1/8"
- C:** 5"

Protection Class: IP65

Weight: 20.9 lbs.

Notice to Installer for 44 418:

1. For attachment to wall over separate small opening linear wiring box (19 537 provided by BEGA).
2. For downlight applications only.
3. Wiring box needs to be recessed into wall and must be flush with the finished surface.
4. In conformance with UL Standard 1598, a silicone based sealant **MUST** be used between luminaire and supporting wall.
5. **WARNING:** LEDs are high quality electrical components. Please avoid touching them directly during installation.

19 537 - wiring box installation:

Hollow (stud) wall construction - Secure wiring box to wood or metal horizontal blocking as shown in Fig 1. Connect conduit to wiring box (if needed) and pull wires for electrical connections to be made later.

Poured concrete construction - Attach wiring box to the concrete form. Connect conduit to wiring box (if needed) and pull wires for electrical connections to be made later. Pour concrete and remove form.

IMPORTANT: Do not pour concrete directly on to box!

44 418 - Luminaire Installation:

1. Loosen (2) 6mm set screws and remove luminaire main casting off of mounting plate.
2. Feed luminaire wires through rear opening of luminaire and through mounting plate wireway hole.
3. Make supply wiring and luminaire wiring connections inside the small opening linear wiring box:

MAIN VOLTAGE SUPPLY WIRE TO BLACK LUMINAIRE WIRE
 NEUTRAL (COMMON) SUPPLY WIRE TO WHITE LUMINAIRE WIRE
 GREEN GROUND WIRE TO GREEN LUMINAIRE WIRE.

Dimming (if applicable):

DIMMING CONTROL WIRE (+) TO POSITIVE DRIVER DIM CONTROL WIRE
 DIMMING CONTROL WIRE (-) TO NEGATIVE DRIVER DIM CONTROL WIRE

4. Place a small bead of silicone around the back side of the luminaire base that will come in contact with the finished wall (exterior applications only).
5. Attach and secure mounting plate to wall using hardware by others (minimum screw size 8-32 screws). Orient to make sure down arrow is pointing down.
6. Mount luminaire to mounting plate using (2) 6mm hex screws. Tighten screws evenly.

Fig 1

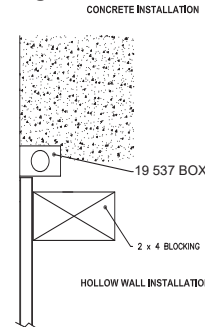


Fig 2: Generic Image

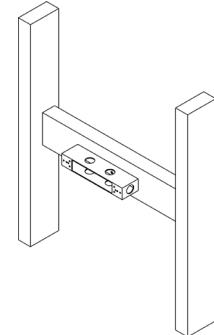


Fig 3

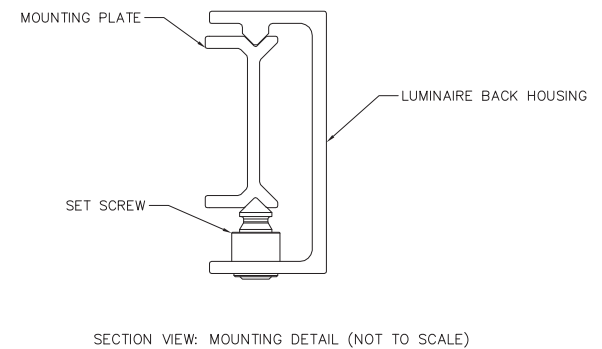
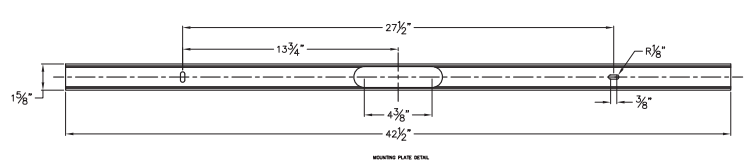


Fig 4



Relamping/Maintenance

No relamping necessary.

Accessories

Please refer to the appropriate accessory installation sheet for further instruction when applicable.

Replacement Parts

Description	Part No
Face Plate	FP4418
LED Driver (120-277V)	75989-03
LED Module (3000K)	(x2) LED-0377/830
LED Module (4000K)	(x2) LED-0377/840

Lamp: 23W LED

In the interest of product improvement, BEGA reserves the right to make technical changes without notice.

BEGA 1000 Bega Way, Carpinteria, CA 93013 (805)684-0533 Fax (805)566-9474 www.bega-us.com © Copyright BEGA-US 2018

Product Safety Warnings:

THIS PRODUCT MUST BE INSTALLED IN ACCORDANCE WITH THE APPLICABLE INSTALLATION CODE BY A PERSON FAMILIAR WITH THE CONSTRUCTION AND OPERATION OF THE PRODUCT AND THE HAZARDS INVOLVED. SUITABLE FOR WET LOCATIONS.

MIN 90°C SUPPLY CONDUCTORS.

CE PRODUIT DOIT ÊTRE INSTALLÉ SELON LE CODE D'INSTALLATION PERTINENT, PAR UNE PERSONNE QUI CONNAÎT BIEN LE PRODUIT ET SON FONCTIONNEMENT AINSI QUE LES RISQUES INHÉRENTS. CONVIENT AUX EMPLACEMENTS MOUILLÉS.

LES FILS D'ALIMENTATION 90°C MIN.
