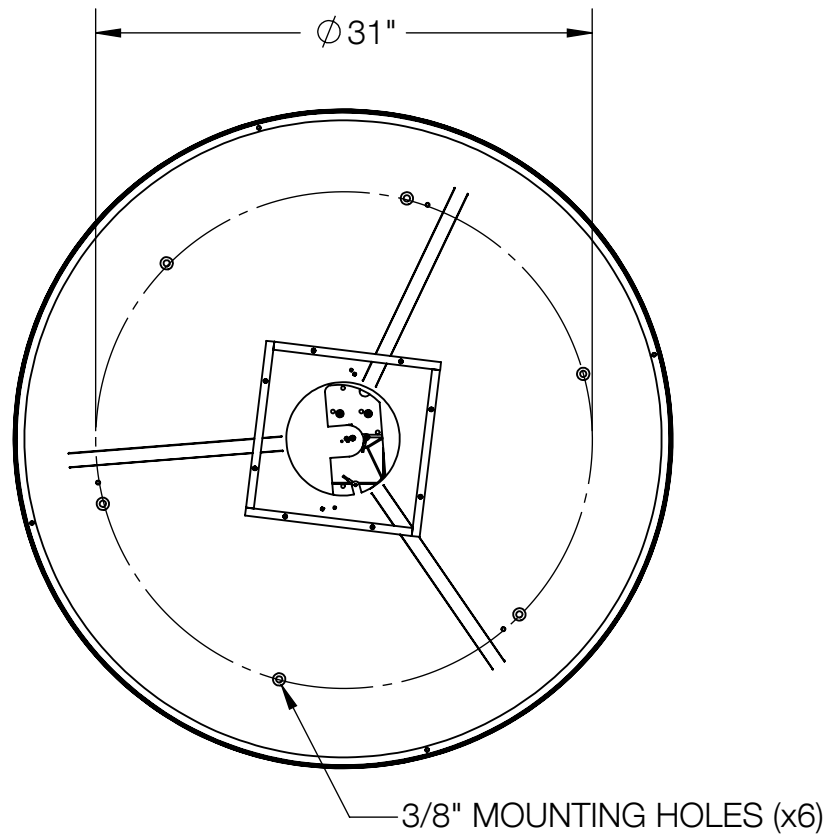
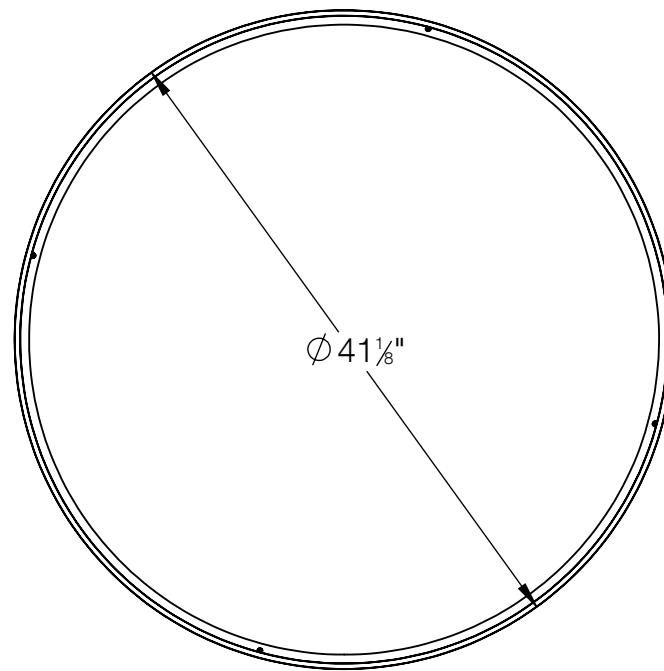


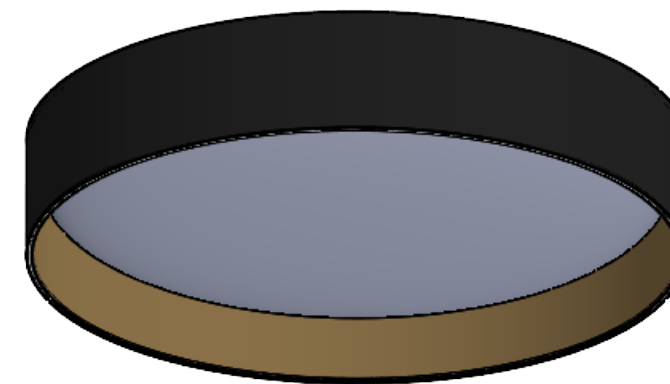
REV	CHANGED BY	DESCRIPTION	DATE



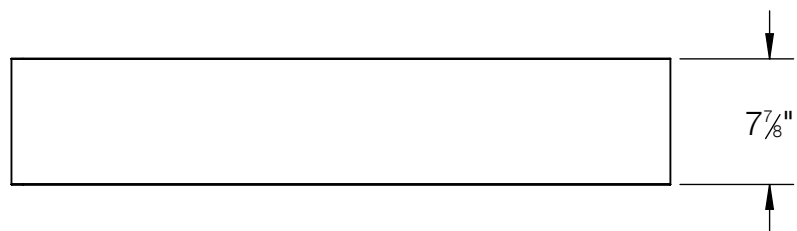
MOUNTING VIEW



FRONT VIEW



ISOMETRIC VIEW



SIDE VIEW

**BEGA**

1000 BEGA Way, Carpinteria, California 93013

P (805) 684-0533 - www.bega-us.com

APPROVED: \_\_\_\_\_ DATE: \_\_\_\_\_  
TYPE: \_\_\_\_\_

DESCRIPTION: LARGE-AREA CEILING LUMINAIRE  
- INTERIOR - VELVET BLACK

PROPRIETARY AND CONFIDENTIAL  
THE INFORMATION CONTAINED IN THIS DRAWING IS THE SOLE PROPERTY  
OF BEGA NORTH AMERICA, INC.  
ANY REPRODUCTION IN PART OR AS A WHOLE WITHOUT THE WRITTEN  
PERMISSION OF BEGA NORTH AMERICA, INC. IS PROHIBITED.

SIZE	PART NO.	REV
B	50790	-

NOT TO SCALE	4/6/2026	SHEET 1 OF 1
--------------	----------	--------------