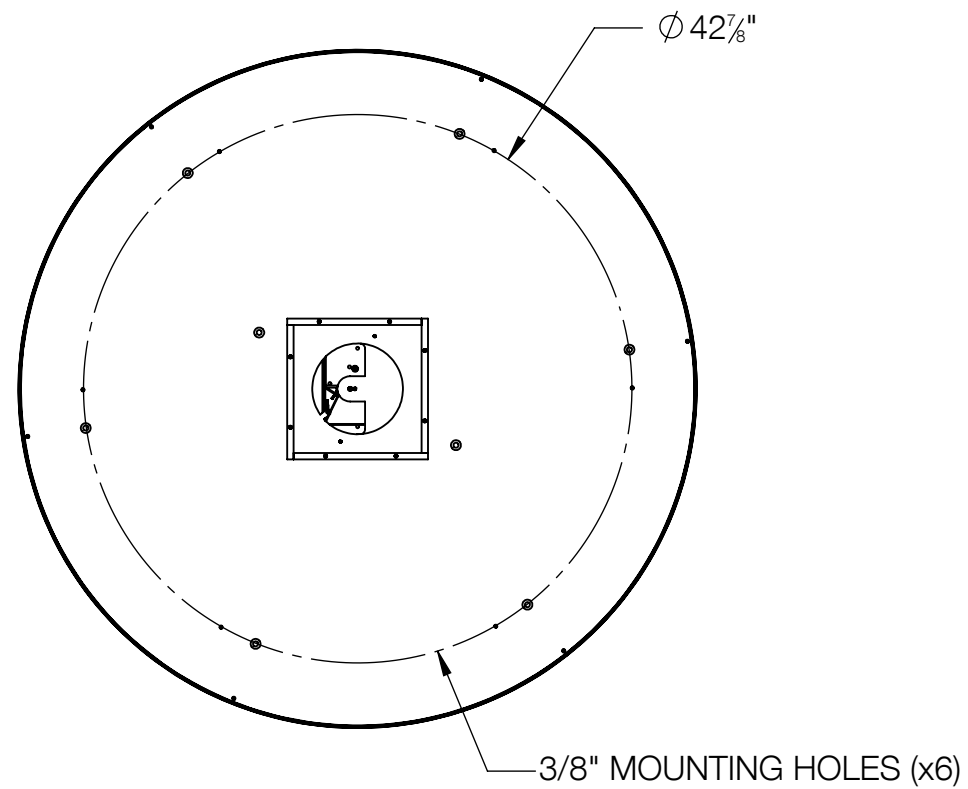
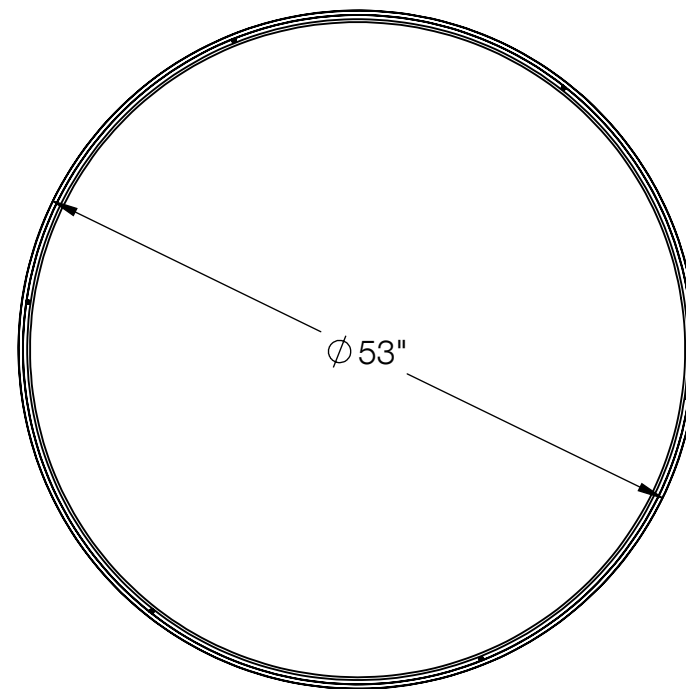


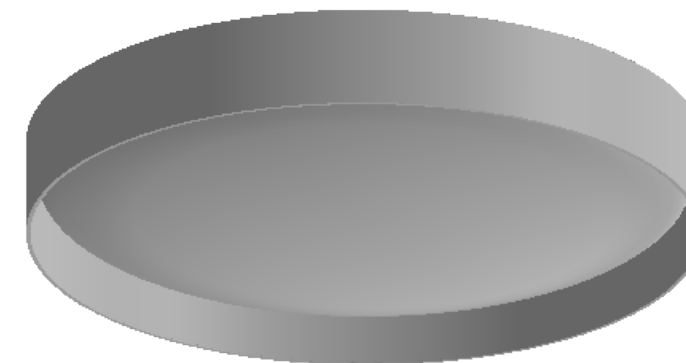
REV	CHANGED BY	DESCRIPTION	DATE



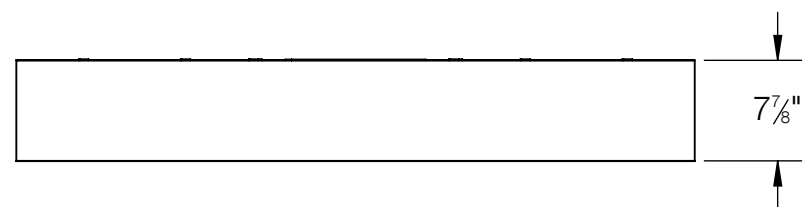
MOUNTING VIEW



FRONT VIEW



ISOMETRIC VIEW



SIDE VIEW

BEGA

1000 BEGA Way, Carpinteria, California 93013

P (805) 684-0533 - www.bega-us.com

APPROVED: _____ DATE: _____
TYPE: _____

DESCRIPTION: LARGE-AREA CEILING LUMINAIRE -
STUDIO LINE - VELVET WHITE

PROPRIETARY AND CONFIDENTIAL
THE INFORMATION CONTAINED IN THIS DRAWING IS THE SOLE PROPERTY
OF BEGA NORTH AMERICA, INC.
ANY REPRODUCTION IN PART OR AS A WHOLE WITHOUT THE WRITTEN
PERMISSION OF BEGA NORTH AMERICA, INC. IS PROHIBITED.

SIZE	PART NO.	REV
B	50795	-

NOT TO SCALE	4/8/2026	SHEET 1 OF 1
--------------	----------	--------------