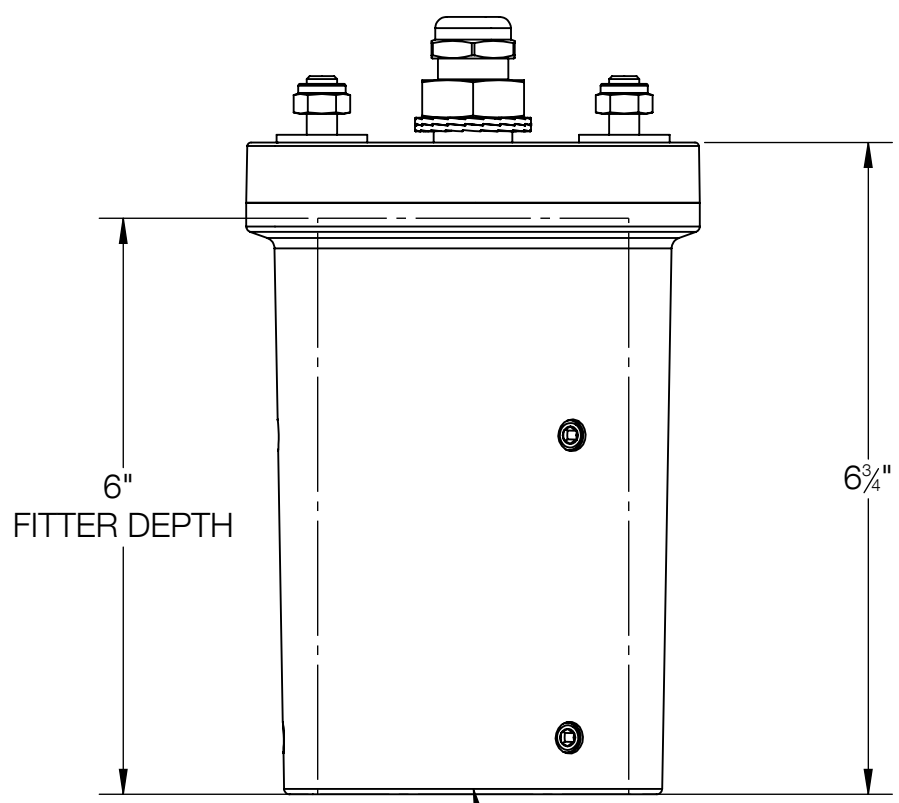
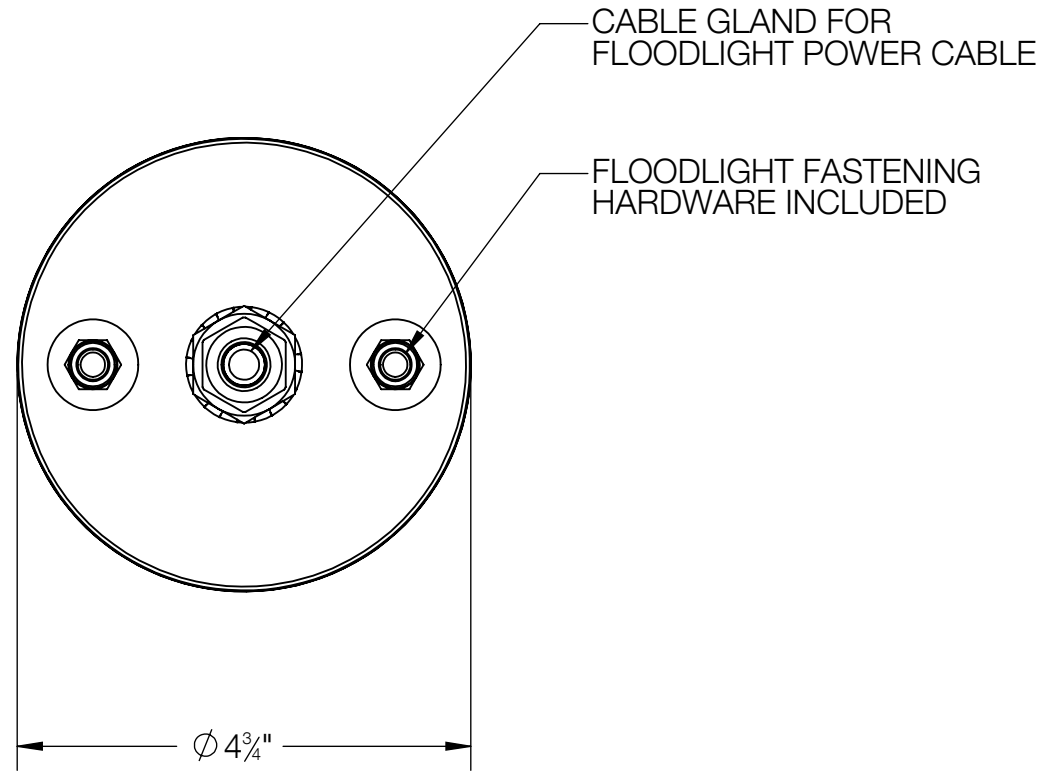
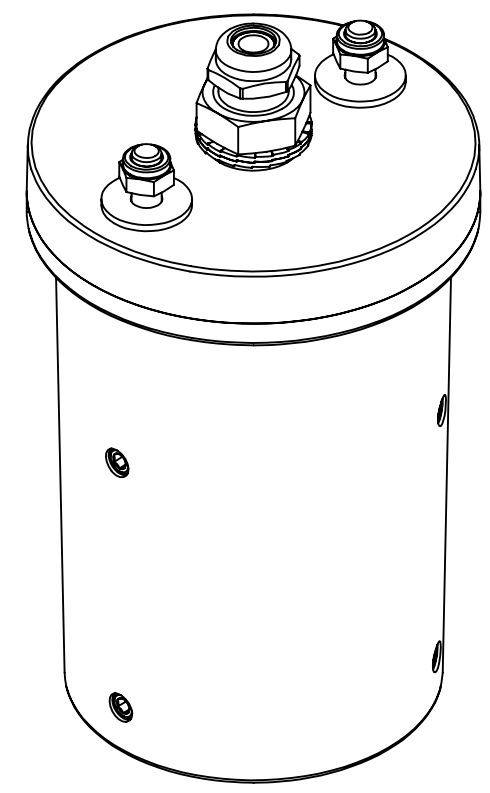
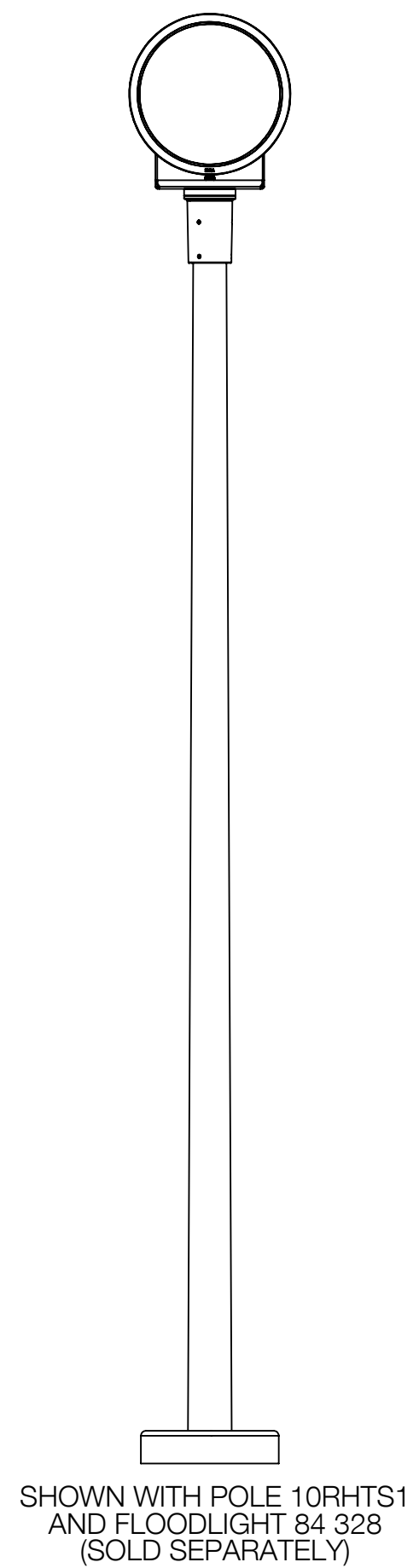


REV	CHANGED BY	DESCRIPTION	DATE



SLIP FITS OVER 3" OD POLE OR TENON
MINIMUM TENON LENGTH 4"



- NOTES:
- FOR POLE TOP INSTALLATION OF ONE YOKE-MOUNTED FLOODLIGHT, SEE WEBSITE FOR COMPATIBLE PRODUCTS
 - SLIP FITS OVER 3" OD POLE OR TENON. MINIMUM TENON LENGTH 4"

BEGA		1000 BEGA Way, Carpinteria, California 93013		P (805) 684-0533 - www.bega-us.com	
APPROVED: _____ DATE: _____		DESCRIPTION: POLE CAP - FOR YOKE MOUNTED FLOODLIGHTS			
TYPE: _____		SIZE B		PART NO. 70342	
PROPRIETARY AND CONFIDENTIAL THE INFORMATION CONTAINED IN THIS DRAWING IS THE SOLE PROPERTY OF BEGA NORTH AMERICA, INC. ANY REPRODUCTION IN PART OR AS A WHOLE WITHOUT THE WRITTEN PERMISSION OF BEGA NORTH AMERICA, INC. IS PROHIBITED.		NOT TO SCALE		REV -	
		5/13/2026		SHEET 1 OF 1	