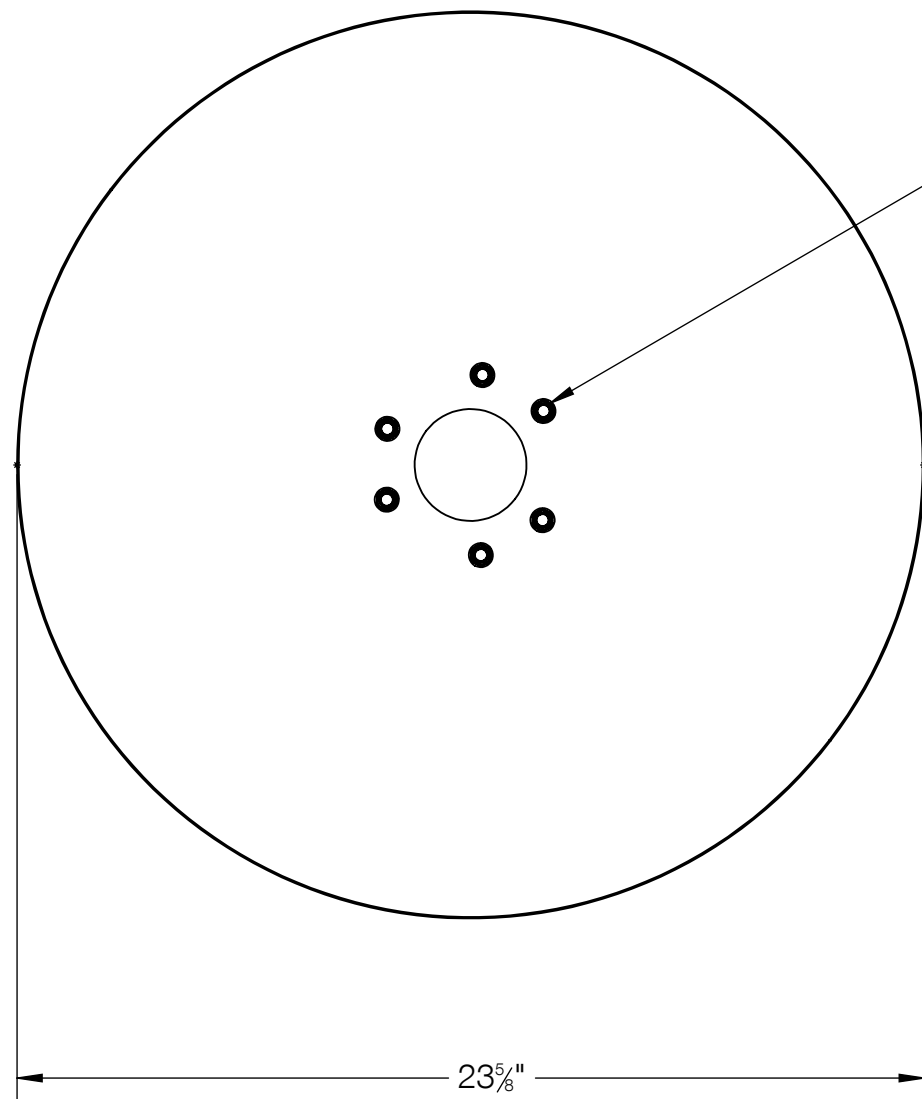
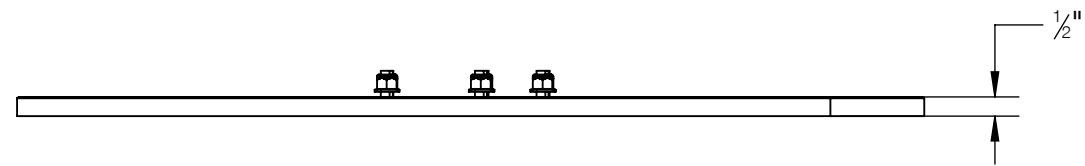
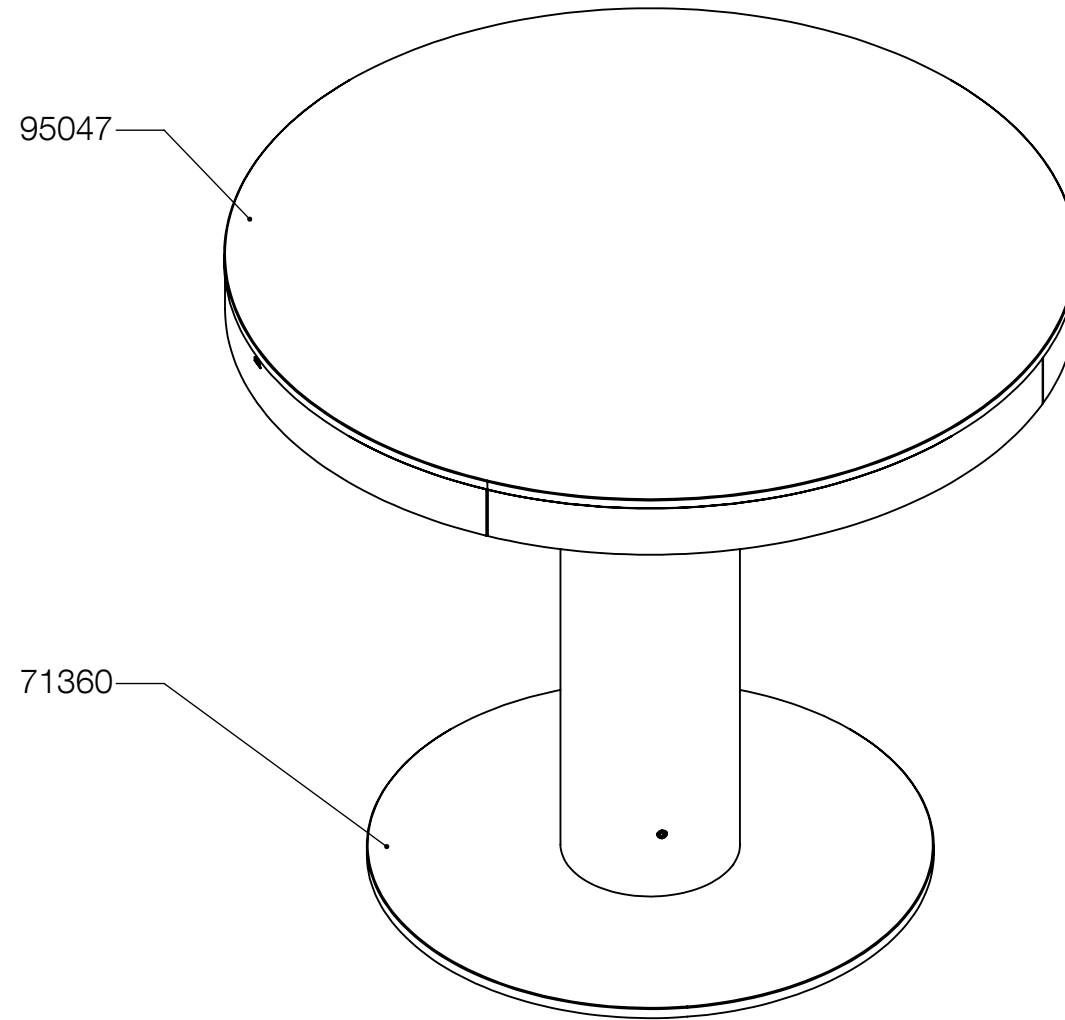


REV	CHANGED BY	DESCRIPTION	DATE



MOUNTING  
HARDWARE  
INCLUDED



SHOWN WITH TABLE  
95047 (NOT INCLUDED)

NOTES:

1. BASE PLATE ACCESSORY FOR MOUNTING OF BEGA TABLES WITHOUT PERMANENT ATTACHMENT TO THE INSTALLATION SURFACE.
2. FOR USE WITH ROUND BEGA TABLE 95047 OR 95048

**BEGA**

1000 BEGA Way, Carpinteria, California 93013 P (805) 684-0533 - www.bega-us.com

APPROVED: \_\_\_\_\_ DATE: \_\_\_\_\_ DESCRIPTION: BASE PLATE - SINGLE POST ROUND TABLE  
TYPE: \_\_\_\_\_

PROPRIETARY AND CONFIDENTIAL THE INFORMATION CONTAINED IN THIS DRAWING IS THE SOLE PROPERTY OF BEGA NORTH AMERICA, INC. ANY REPRODUCTION IN PART OR AS A WHOLE WITHOUT THE WRITTEN PERMISSION OF BEGA NORTH AMERICA, INC. IS PROHIBITED.	SIZE	PART NO.	REV
	B	71360	-
NOT TO SCALE		5/26/2026	SHEET 1 OF 1