

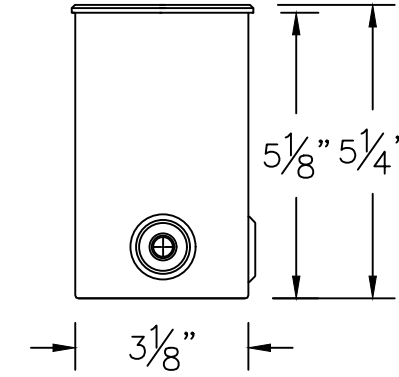
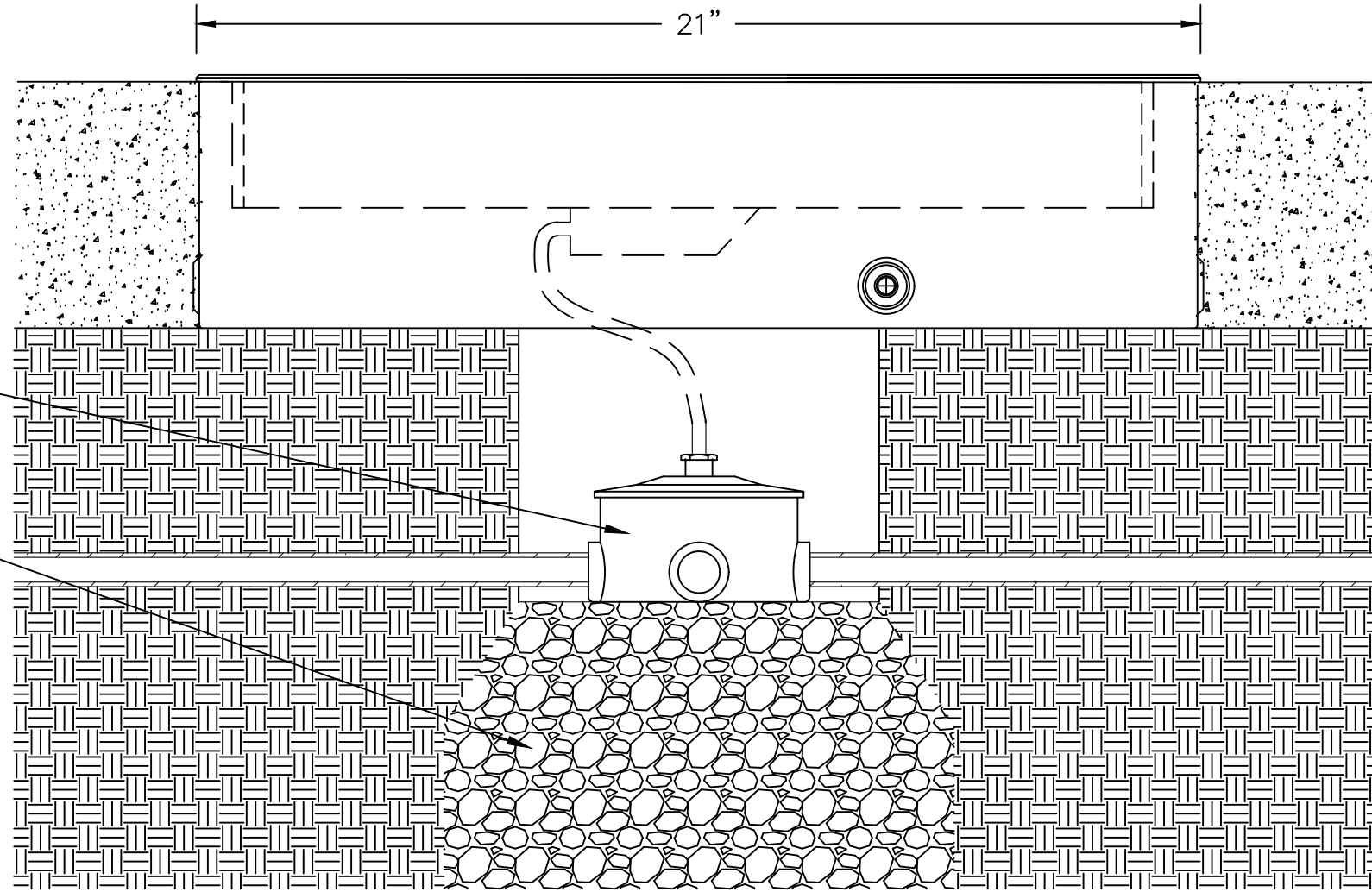
NOTES :

1. LUMINAIRE # 84162 – SEE SPECIFICATION

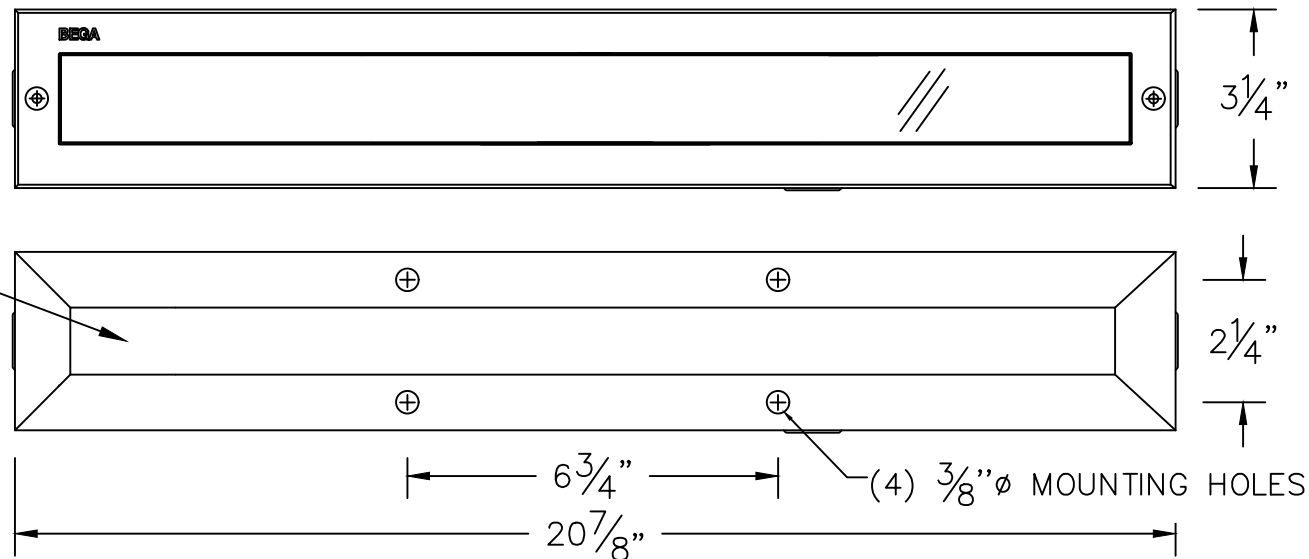
WATERPROOF J-BOX
(PROVIDED BY OTHERS)

PROVIDE A
MINIMUM 6" OF
PEA GRAVEL TO
MAINTAIN PROPER
DRAINAGE

NOTE: MORE
GRAVEL MAY BE
NEEDED IN AREAS
THAT HAVE POOR
SOIL DRAINAGE
AND/OR ARE
SUBJECT TO
FREEZE



OUTER HOUSING
OPEN ON BOTTOM



TYPE: _____

DATE: _____
SUBMITTAL APPROVAL

APPROVED BY: _____

SIGNED: _____

REV.	DATE	DESCRIPTION

CAT NO.: 84162

PROJECT: -

LOCATION: -

DRAWN: PDM DATE: 06/24/19 FILE NAME: 84162.DXF

BEGA

1000 Bega Way
Carpinteria, Ca. 93013
(805) 684-0533

This print contains confidential information which is the property of BEGA U.S. By acceptance this information, the borrower agrees that it will not be used for any other purpose other than that which is loaned.