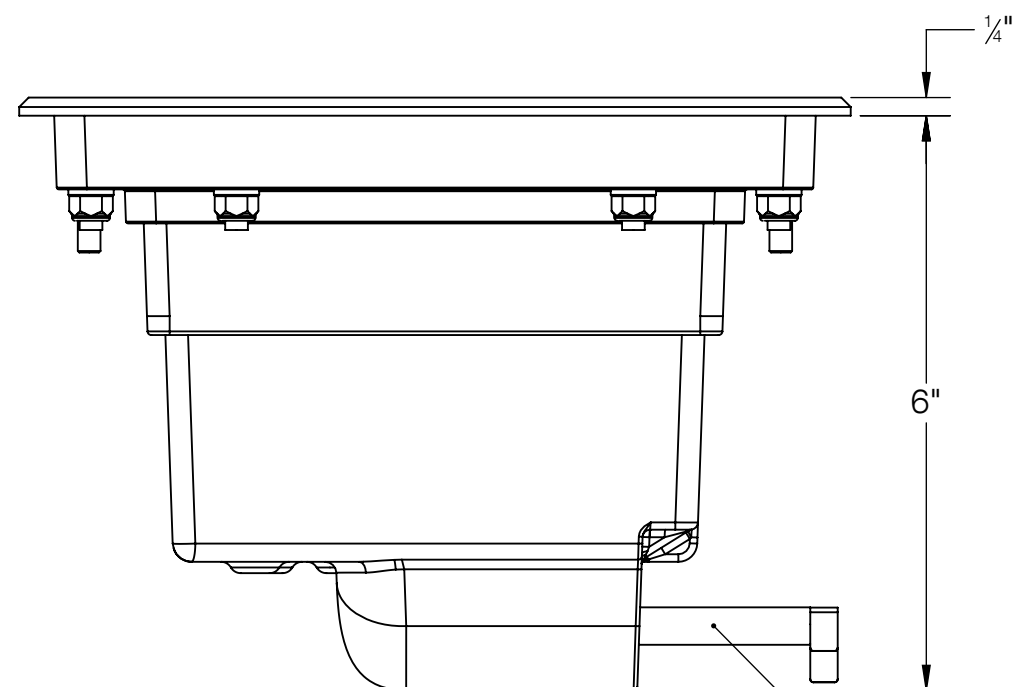
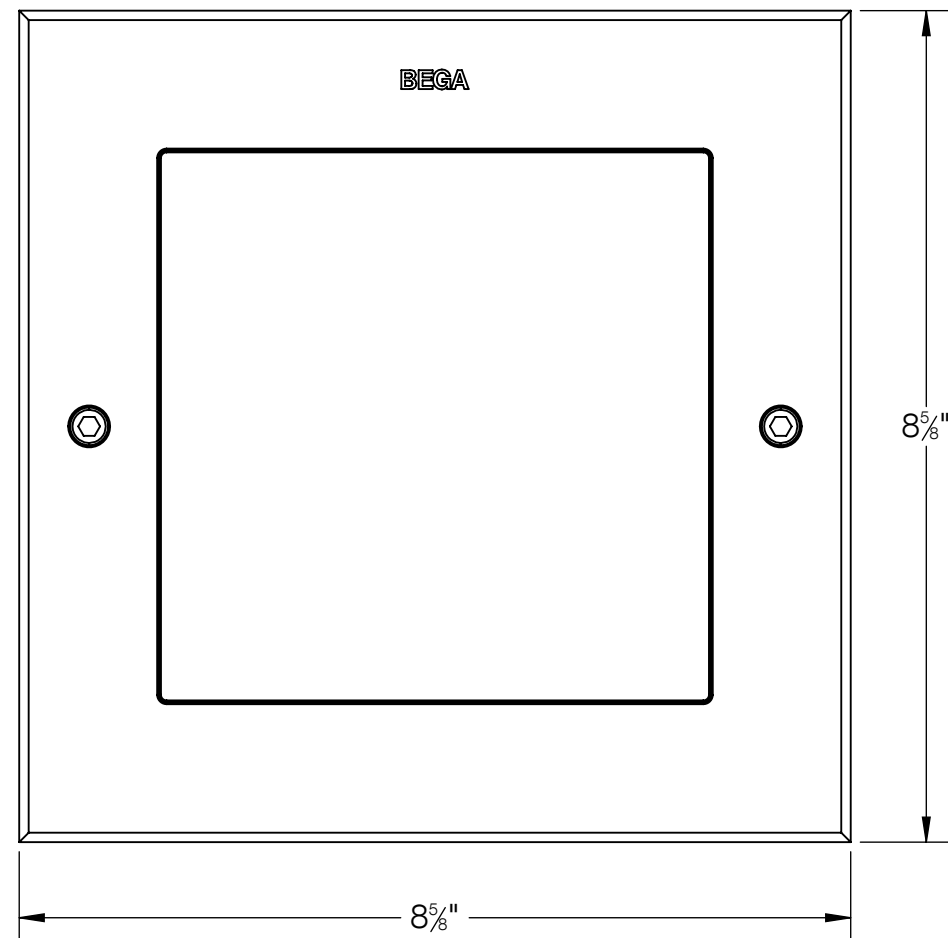
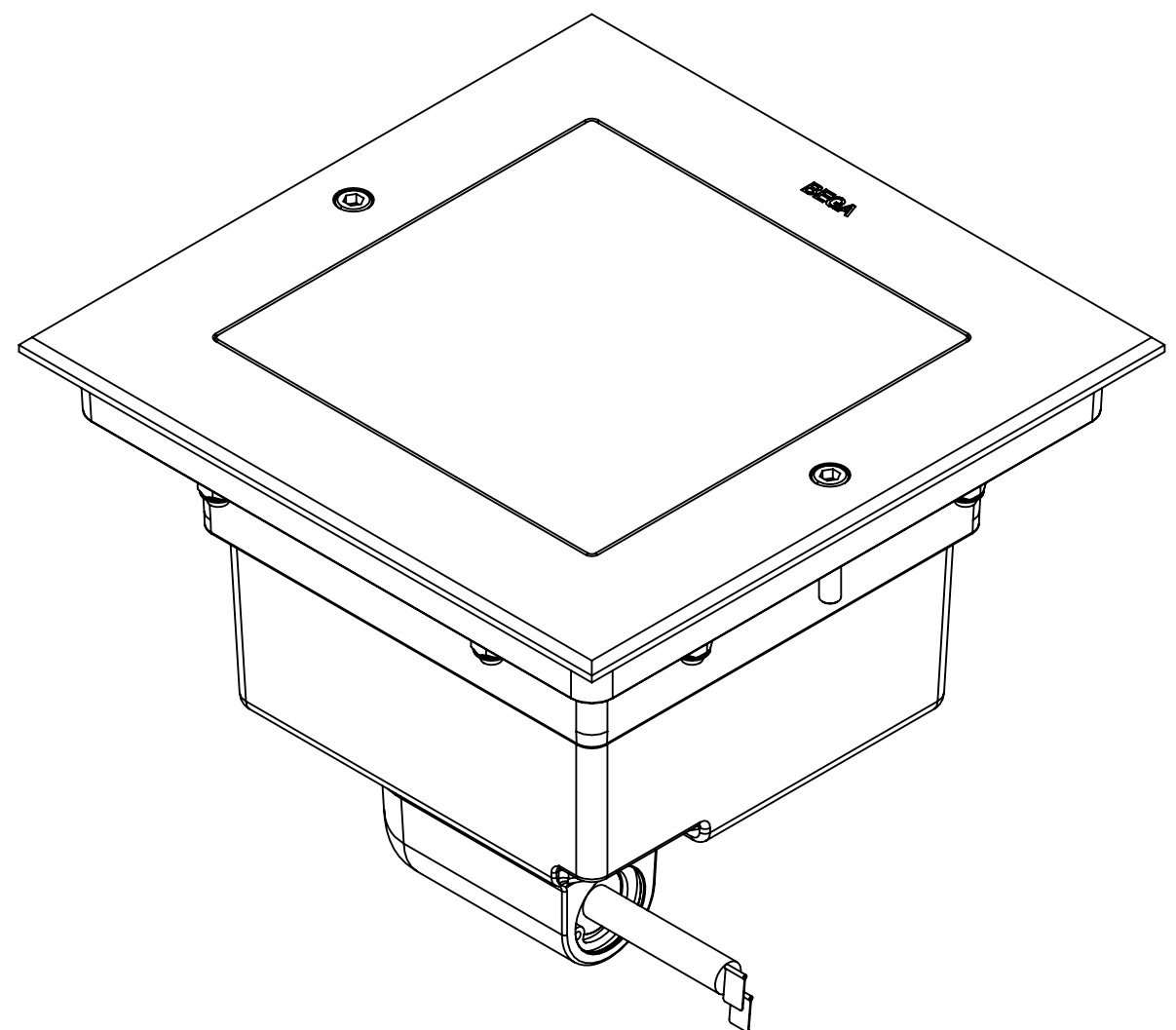


REV	CHANGED BY	DESCRIPTION	DATE



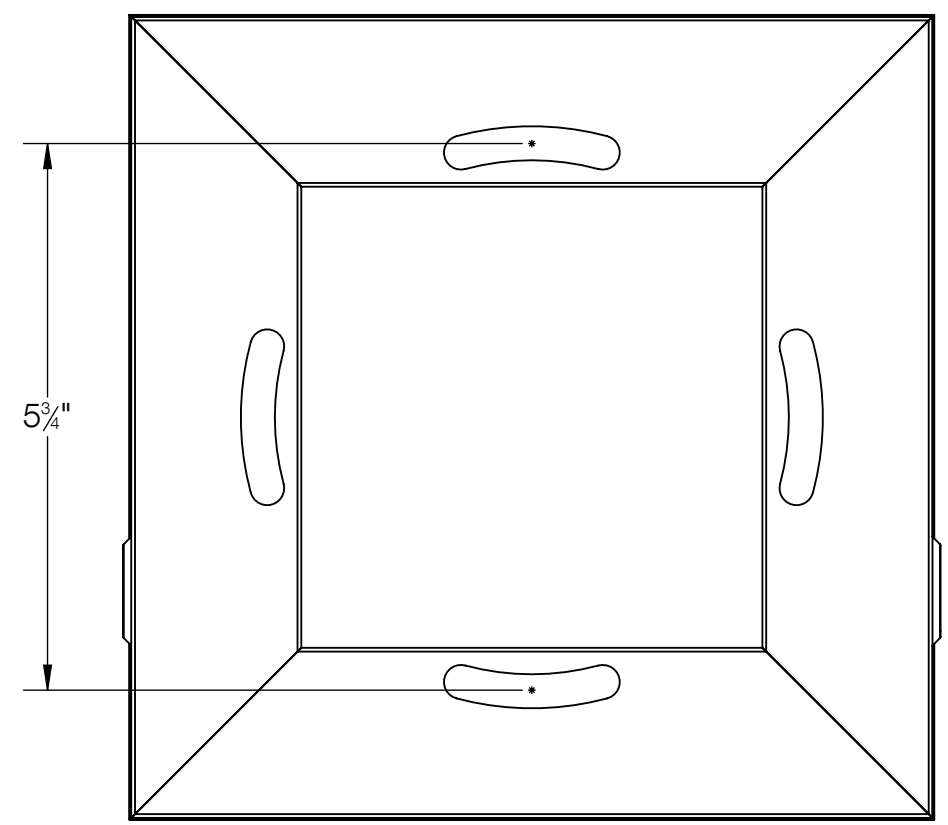
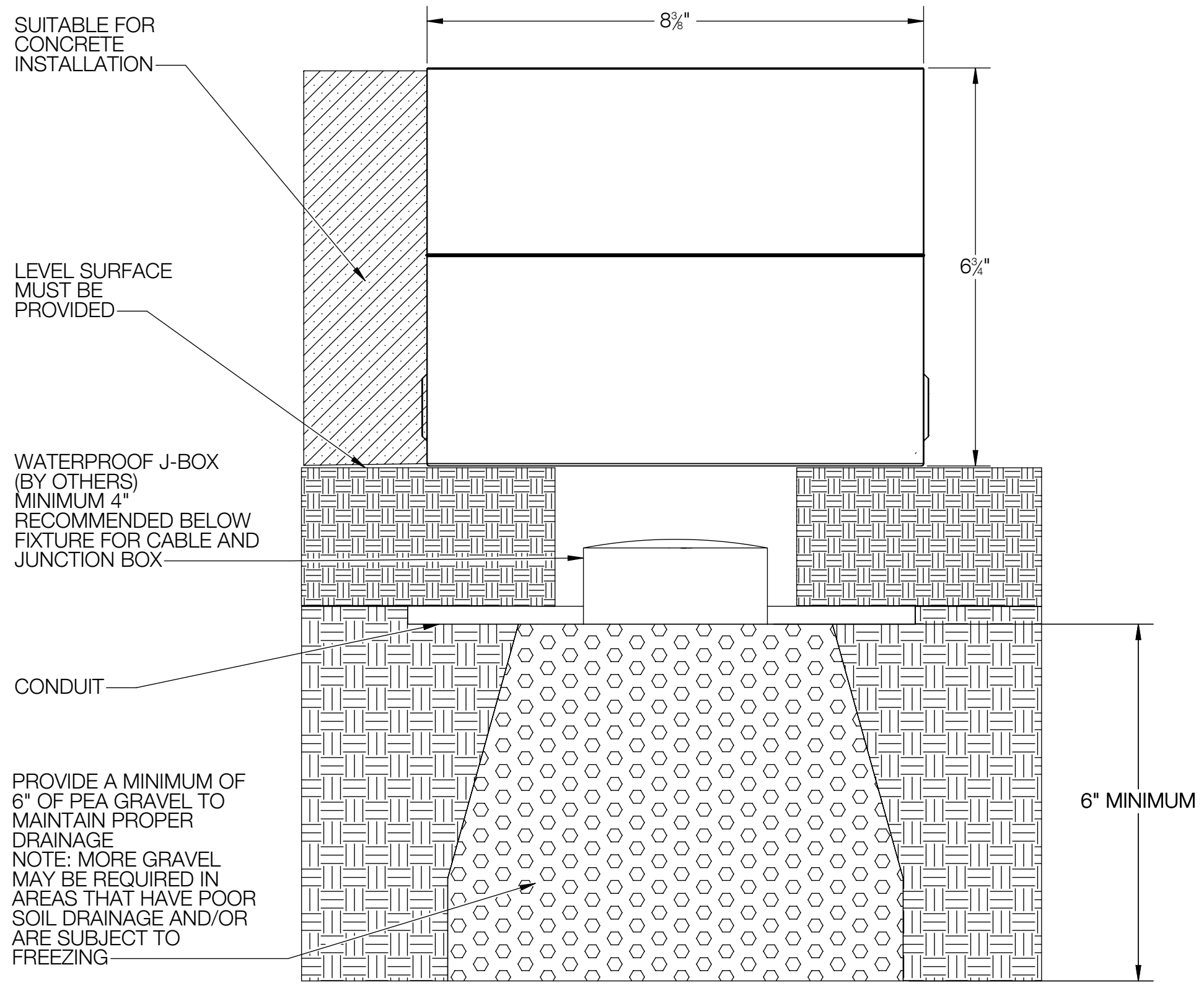
PROVIDED WITH 7.5' OF WATER PROOF CABLE



- NOTE:
 1. INCLUDES KIT #76 - WATERPROOF CONNECTOR KIT
 2. INCLUDES BB84287 - INSTALLATION HOUSING

BEGA		1000 BEGA Way, Carpinteria, California 93013		P (805) 684-0533 - www.bega-us.com	
APPROVED: _____ DATE: _____		DESCRIPTION: IN-GRADE LUMINAIRE - ASYMMETRIC			
TYPE: _____		SIZE	PART NO.	REV	
PROPRIETARY AND CONFIDENTIAL THE INFORMATION CONTAINED IN THIS DRAWING IS THE SOLE PROPERTY OF BEGA NORTH AMERICA, INC. ANY REPRODUCTION IN PART OR AS A WHOLE WITHOUT THE WRITTEN PERMISSION OF BEGA NORTH AMERICA, INC. IS PROHIBITED.		B	84278	-	
NOT TO SCALE		06/02/2021	SHEET 1 OF 2		

REV	CHANGED BY	DESCRIPTION	DATE



BOTTOM VIEW

BEGA

1000 BEGA Way, Carpinteria, California 93013 P (805) 684-0533 - www.bega-us.com

APPROVED: _____ DATE: _____ DESCRIPTION: INSTALLATION HOUSING
TYPE: _____

PROPRIETARY AND CONFIDENTIAL THE INFORMATION CONTAINED IN THIS DRAWING IS THE SOLE PROPERTY OF BEGA NORTH AMERICA, INC. ANY REPRODUCTION IN PART OR AS A WHOLE WITHOUT THE WRITTEN PERMISSION OF BEGA NORTH AMERICA, INC. IS PROHIBITED.

SIZE B	PART NO. BB84287	REV -
------------------	----------------------------	----------

NOT TO SCALE 06/02/2021 SHEET 2 OF 2