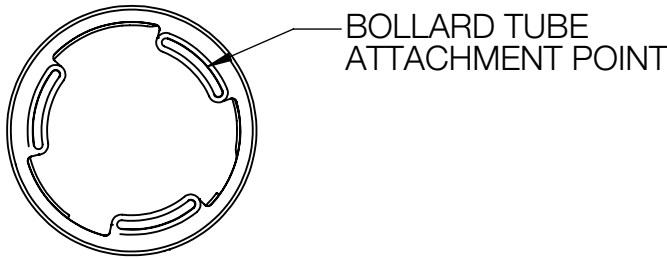
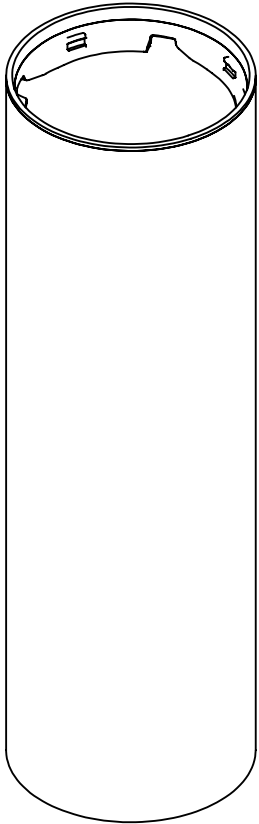
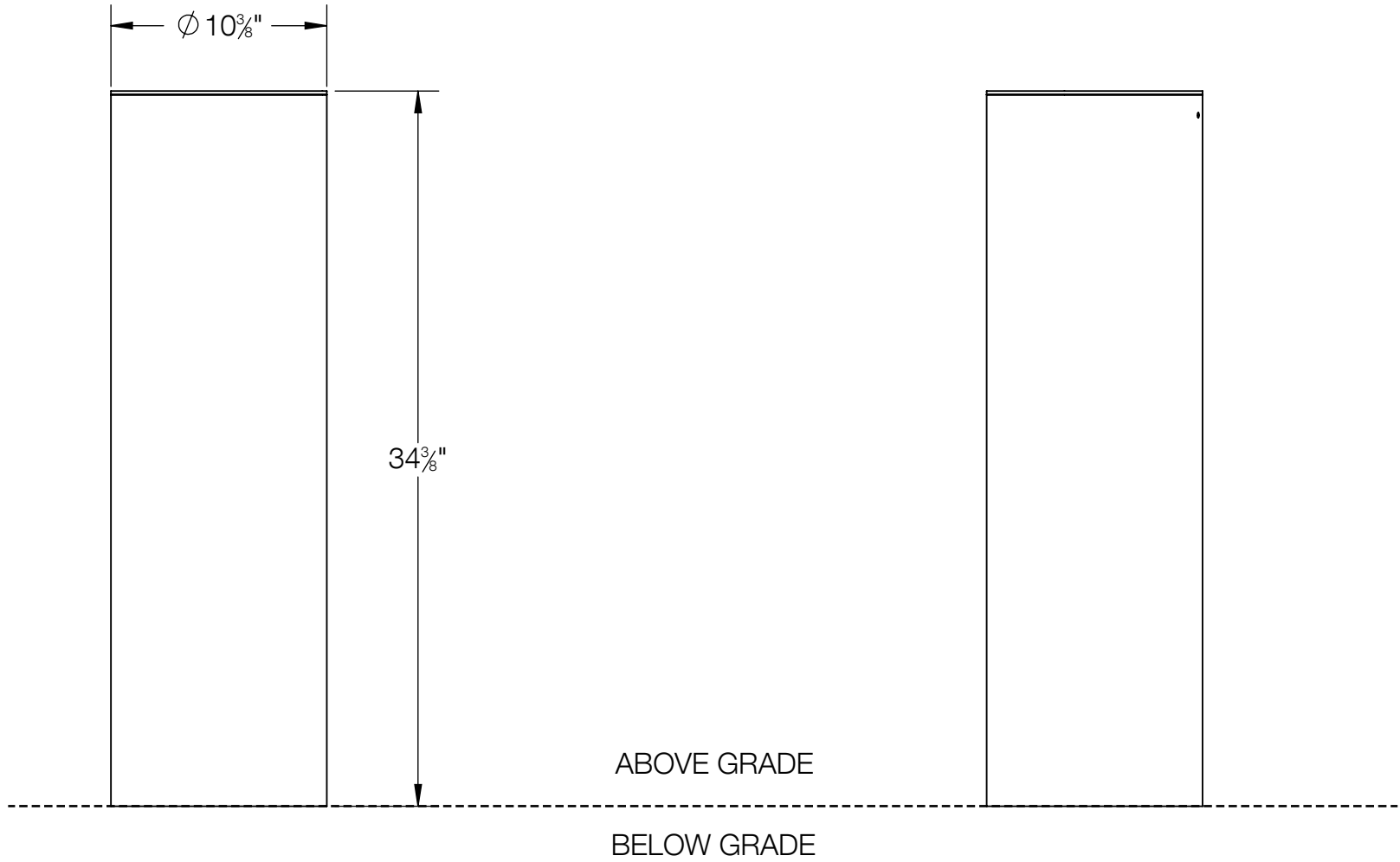


REV	CHANGED BY	DESCRIPTION	DATE

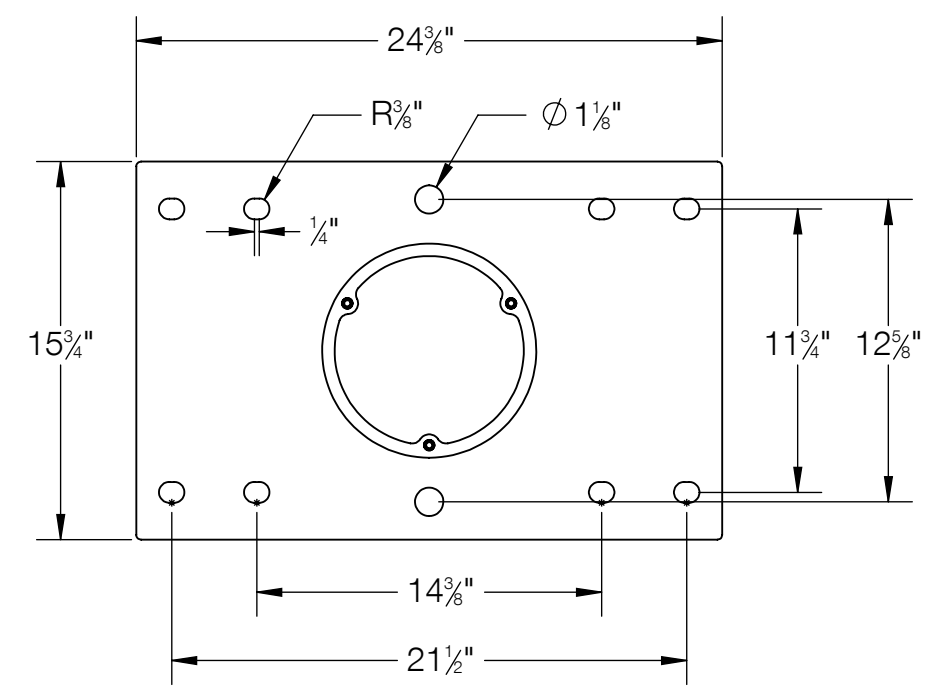
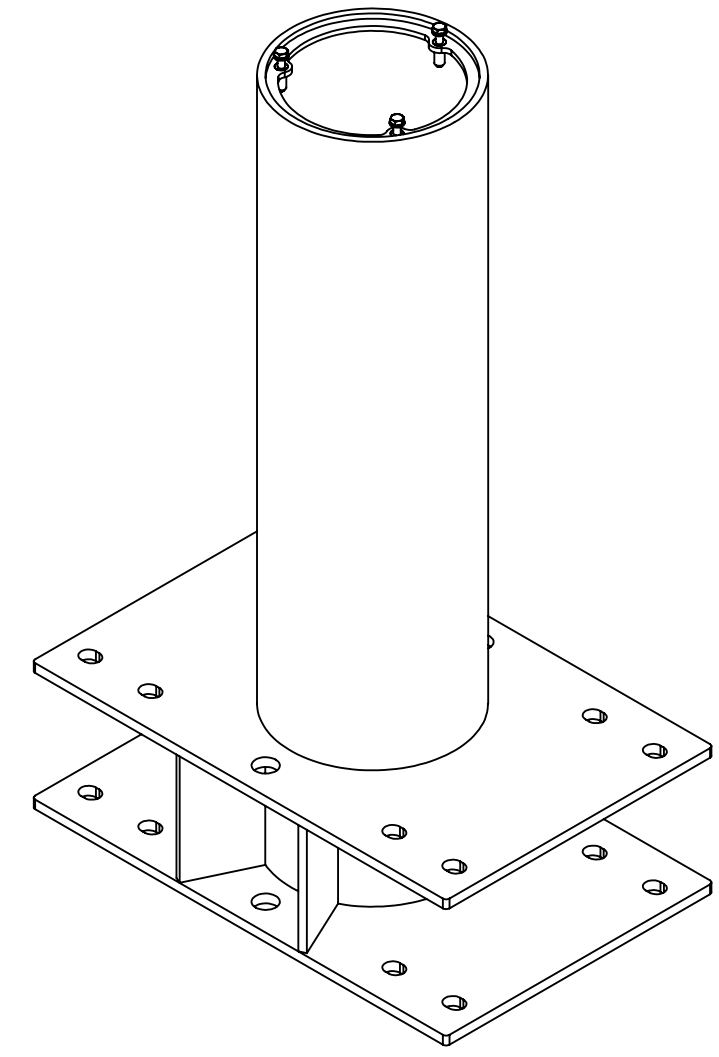
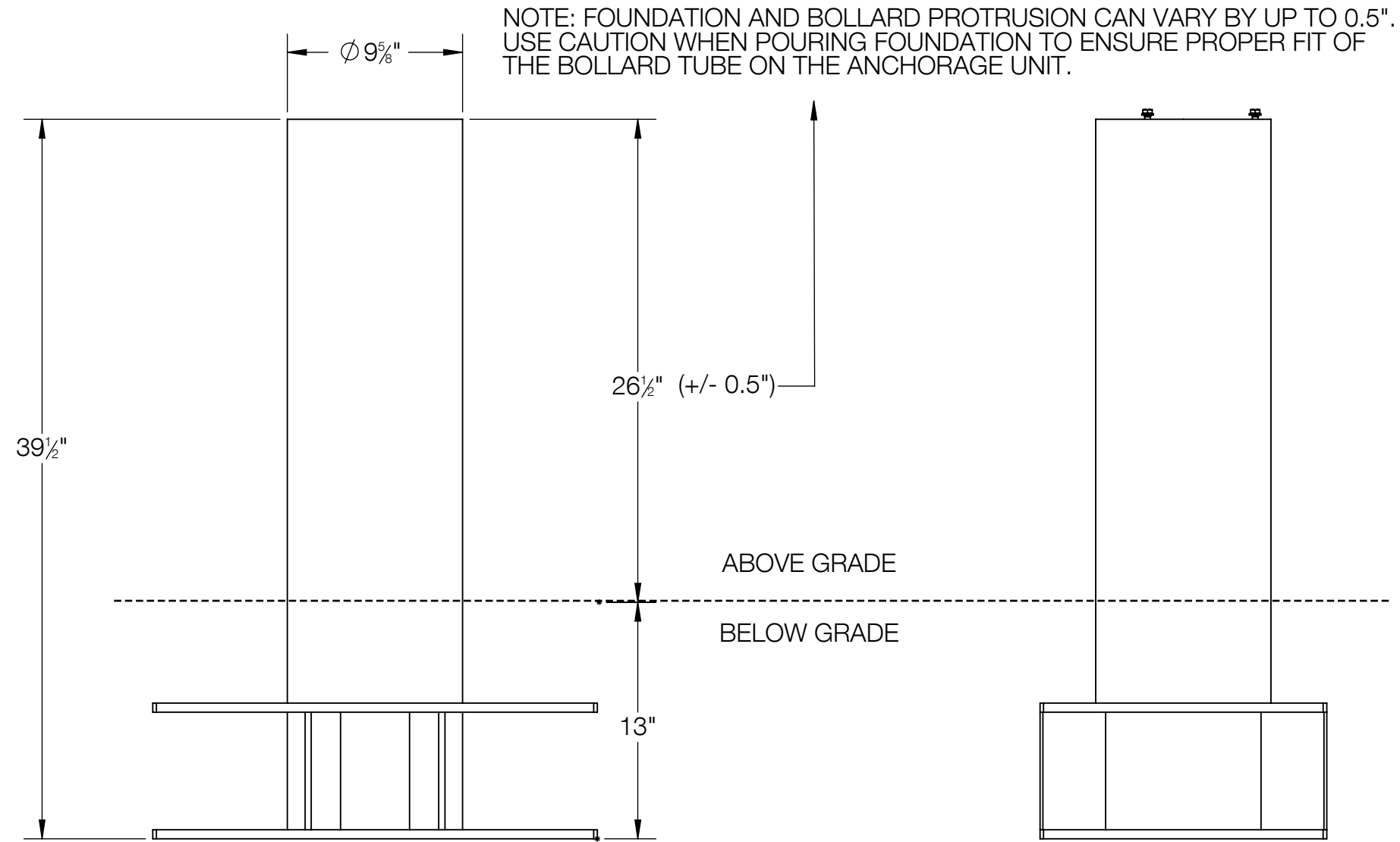


NOTES:

1. INCLUDES B96248 (ANCHORAGE UNIT).
2. INCLUDES 01525 (CONCRETE POURING INSTRUCTIONS). SEE INSTALLATION INSTRUCTIONS. CONSULT STRUCTURAL ENGINEER FOR FOUNDATION DETAILS.
3. INCLUDES WEATHERPROOF CONNECTION BOX TO MAKE WIRING CONNECTIONS.
4. FOR USE WITH SYSTEM BOLLARD HEADS WITH 10 3/8" DIAMETER.

BEGA			
1000 BEGA Way, Carpinteria, California 93013		P (805) 684-0533 - www.bega-us.com	
APPROVED: _____	DATE: _____	DESCRIPTION: BOLLARD TUBE	
TYPE: _____		SIZE B	PART NO. 84303
PROPRIETARY AND CONFIDENTIAL THE INFORMATION CONTAINED IN THIS DRAWING IS THE SOLE PROPERTY OF BEGA NORTH AMERICA, INC. ANY REPRODUCTION IN PART OR AS A WHOLE WITHOUT THE WRITTEN PERMISSION OF BEGA NORTH AMERICA, INC. IS PROHIBITED.		REV -	NOT TO SCALE
		9/12/2025	SHEET 1 OF 3

REV	CHANGED BY	DESCRIPTION	DATE



BEGA

1000 BEGA Way, Carpinteria, California 93013 P (805) 684-0533 - www.bega-us.com

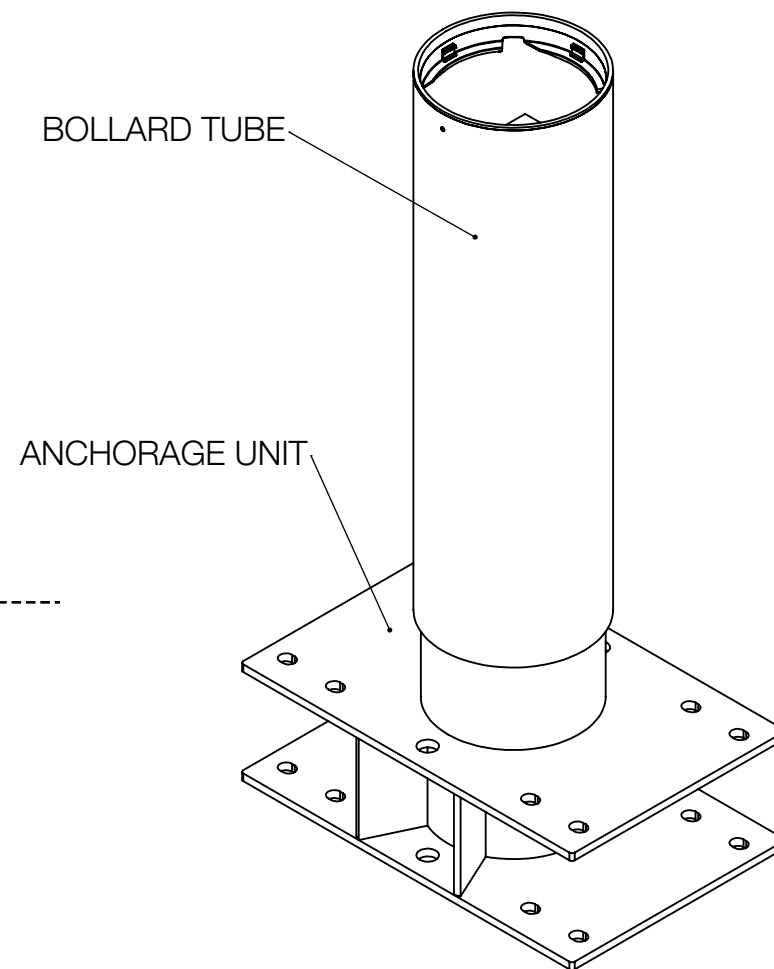
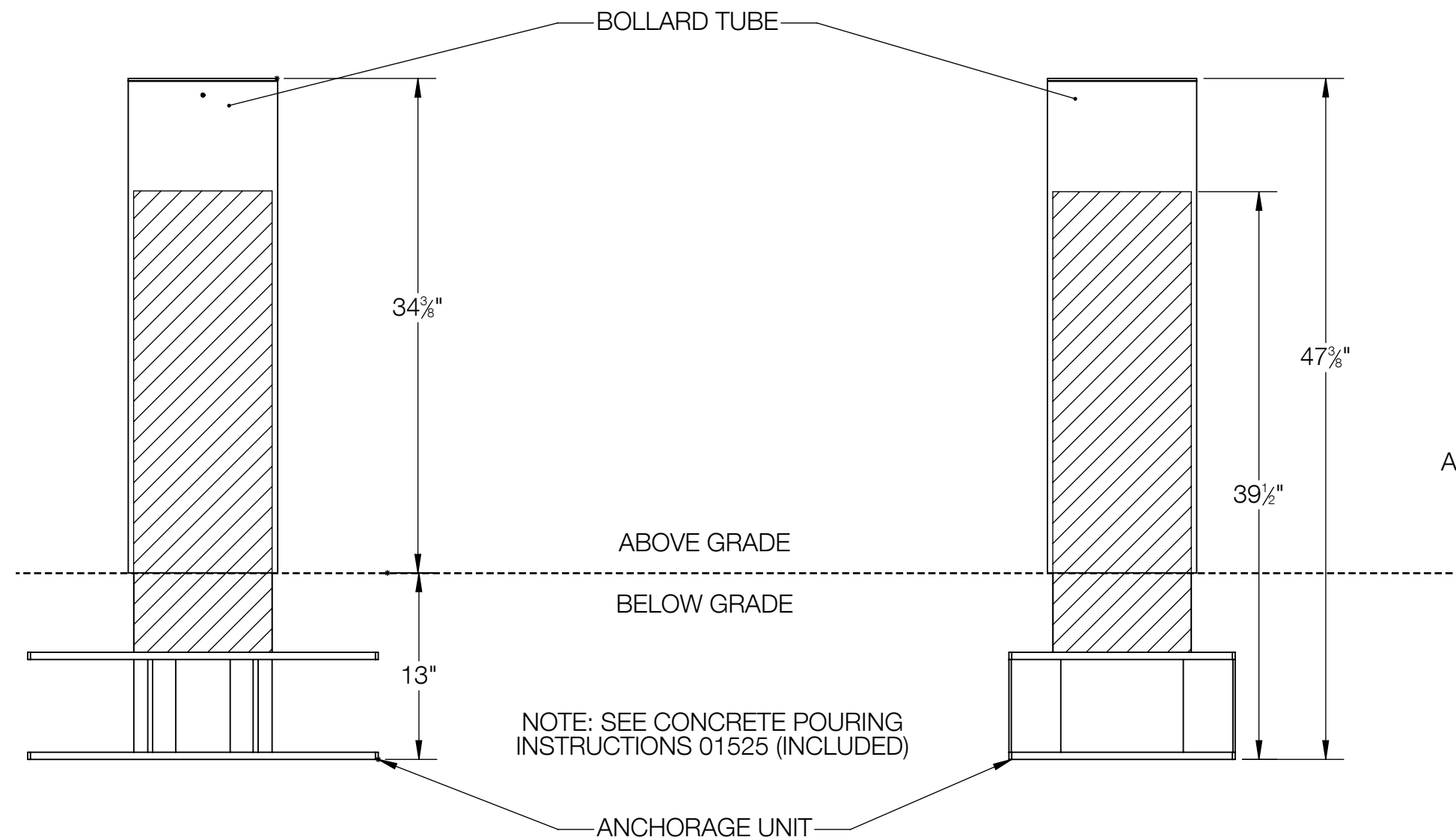
APPROVED: _____ DATE: _____ DESCRIPTION: ANCHORAGE UNIT
TYPE: _____

PROPRIETARY AND CONFIDENTIAL THE INFORMATION CONTAINED IN THIS DRAWING IS THE SOLE PROPERTY OF BEGA NORTH AMERICA, INC. ANY REPRODUCTION IN PART OR AS A WHOLE WITHOUT THE WRITTEN PERMISSION OF BEGA NORTH AMERICA, INC. IS PROHIBITED.

SIZE	PART NO.	REV
B	B96248	-

NOT TO SCALE 9/12/2025 SHEET 2 OF 3

REV	CHANGED BY	DESCRIPTION	DATE



BEGA		1000 BEGA Way, Carpinteria, California 93013		P (805) 684-0533 - www.bega-us.com	
APPROVED: _____ DATE: _____		DESCRIPTION: IMPACT BOLLARD TUBE + ANCHORAGE UNIT			
TYPE: _____		PROPRIETARY AND CONFIDENTIAL		SIZE	REV
THE INFORMATION CONTAINED IN THIS DRAWING IS THE SOLE PROPERTY OF BEGA NORTH AMERICA, INC. ANY REPRODUCTION IN PART OR AS A WHOLE WITHOUT THE WRITTEN PERMISSION OF BEGA NORTH AMERICA, INC. IS PROHIBITED.		B	84303 + B96248	-	-
NOT TO SCALE		9/12/2025	SHEET 3 OF 3		