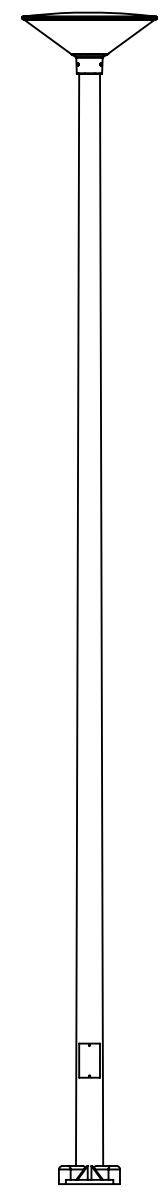
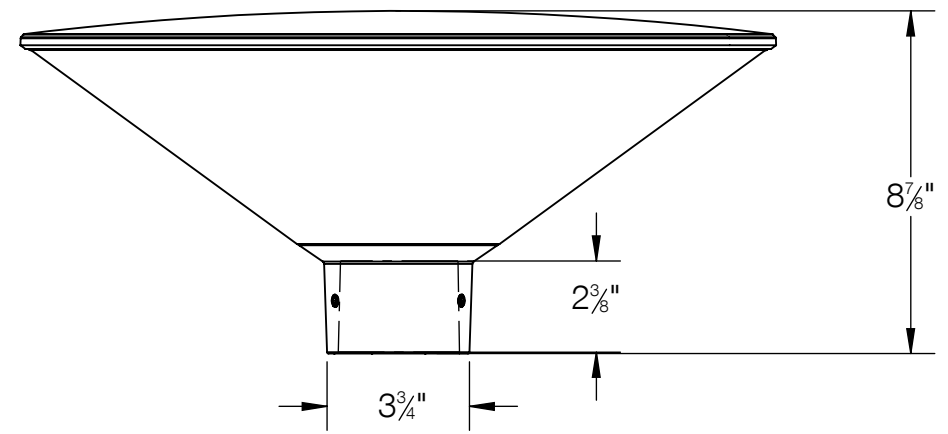
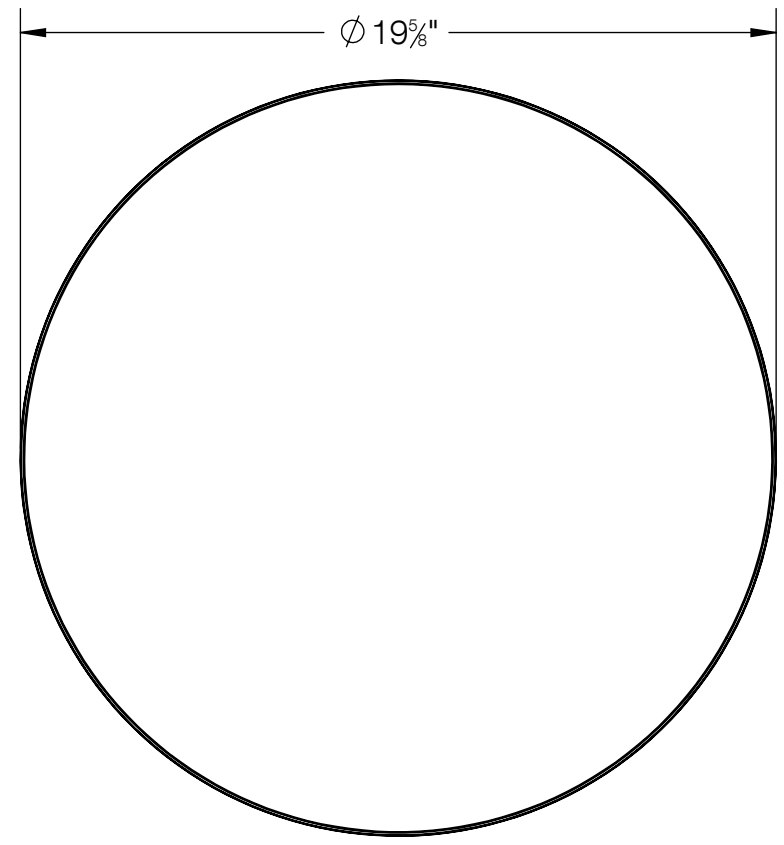


REV	CHANGED BY	DESCRIPTION	DATE



SHOWN ON BEGA POLE 14RFTS1  
(NOT TO SCALE)

NOTES:

1. SLIP FITS 3" O.D. POLE OR TENON
2. REQUIRES A MINIMUM OF 2-3/8" LENGTH STRAIGHT POLE OR TENON

**BEGA**

1000 BEGA Way, Carpinteria, California 93013 P (805) 684-0533 - www.bega-us.com

APPROVED: _____	DATE: _____	DESCRIPTION: POLE-TOP LUMINAIRE - SYMMETRIC
TYPE: _____		

PROPRIETARY AND CONFIDENTIAL THE INFORMATION CONTAINED IN THIS DRAWING IS THE SOLE PROPERTY OF BEGA NORTH AMERICA, INC. ANY REPRODUCTION IN PART OR AS A WHOLE WITHOUT THE WRITTEN PERMISSION OF BEGA NORTH AMERICA, INC. IS PROHIBITED.	SIZE <b>B</b>	PART NO. <b>84483</b>	REV -
	NOT TO SCALE	3/4/2026	SHEET 1 OF 1