

Tools Required:

- 4mm hex head screwdriver
- 5mm hex head screwdriver
- Special tool (provided by BEGA)
- Adjustable wrench

Overview:

Weight: 75.0 lbs.



Dimensions

- A:** 4-3/4
- B:** 157-3/4
- C:** 23-5/8



Notice to Installer:

1. See page 3 for specific product safety warnings.
2. Fixture may be damaged if connected to conduit systems that contain water - Article 300-5G of the National Electric Code requires that "Conduits or raceways through which moisture may contact energized live parts shall be sealed or plugged at either or both ends."
3. Adequate foundation must be provided for intended loading. Size of footing depends on the topography, soil composition, and wind load and must be determined by a structural engineer on site. Adequate drainage must be provided in concrete foundation or grout.
4. See page 2 for installation instructions for floodlights.
5. **WARNING: DO NOT INSTALL PROFILE POLE WITHOUT PROFILE POLE FLOODLIGHTS. UNLOADED POLES CAN EXPERIENCE EXCESSIVE VIBRATION, CAUSING THE STRUCTURAL INTEGRITY TO BE COMPROMISED. INSTALLING THE POLE WITHOUT THE FLOODLIGHTS WILL VOID WARRANTY.**
6. Profile pole can support up to (8) individual floodlights, with a maximum of (2) per side.
7. **SUITABLE FOR INSTALLATION IN WIND ZONES WITH A MAXIMUM WIND SPEED UP TO 100 MPH PER EN 60598.**

79827 Anchor installation (STANDARD INSTALLATION):

1. Anchor kit 79827 must be installed in concrete. Attention to alignment, leveling, and location is required for proper installation. This anchorage kit is buried below finished grade. See figure 1.
2. Anchor base is provided with label indicating the height between the top of the anchor base and the finished grade. See submittal drawing for additional details. Required height between top of anchor and finished grade is 13-1/4".
3. Provide means to bring supply wiring to profile pole in accordance with local code. The template has a 2-3/4" conduit opening for conduit entry.
4. Use template and anchor bolts provided. Anchor bolts can be installed by either attaching template to concrete form, or by inserting anchor bolts into poured concrete. Ensure template and anchor bolts are leveled properly.
5. Align and level template so the orientation of the access door matches the desired orientation of the profile pole. Bolt projection is 4"
6. Once the concrete footing is set, remove template and pull supply wiring to a height of 36" to allow for wiring connections to be made later.
7. Attach anchor base to anchor bolts using leveling washers and hex nuts (provided).
8. Install finished grade.

71207 Direct burial anchorage installation (OPTIONAL INSTALLATION):

1. Direct burial option must be selected at time of order.
2. Remove the anchor plate from the inside of base of pole. Attach plate to bottom of pole by tightening (2) 5mm hex head screws. Anchor plate is designed to help provide stability and prevent rotation during installation only.
3. Align and level pole. Attach pole with anchor plate to sub base using hardware by others.
4. Bring in conduit through conduit entry in anchor base for connections to be made later.
5. Bury pole and finish surface. Minimum burial depth is 45".

Figure 1:

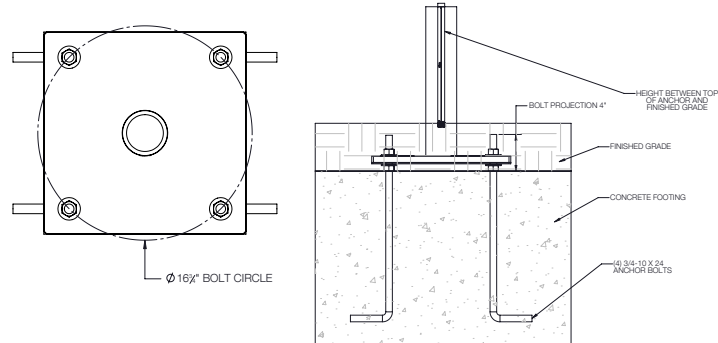
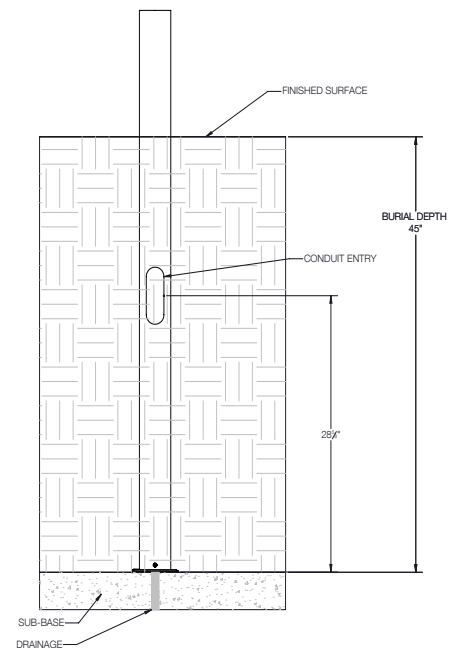


Figure 2:



Compatible Floodlights

Please refer to the appropriate floodlight installation sheet for further instruction when applicable.

- Performance floodlight - very narrow beam **84660**
- Performance floodlight - very narrow beam **84661**
- Performance floodlight - narrow beam **84662**
- Performance floodlight - wide beam **84663**
- Performance floodlight - very narrow beam **84692**
- Performance floodlight - very narrow beam **84693**
- Performance floodlight - narrow beam **84694**
- Performance floodlight - wide beam **84695**

Maintenance:

Clean regularly with solvent-free cleaner removing dirt and debris. Do not use high pressure cleaners.

Replacement Parts

See label inside of fixture for LED replacement part number.

Consult factory for all other replacement components.

Tools Required:

- 4mm hex head screwdriver
- 5mm hex head screwdriver
- Special tool (provided by BEGA)
- Adjustable wrench

Overview:

Weight: 75.0 lbs.



Dimensions

- A:** 4-3/4
- B:** 157-3/4
- C:** 23-5/8



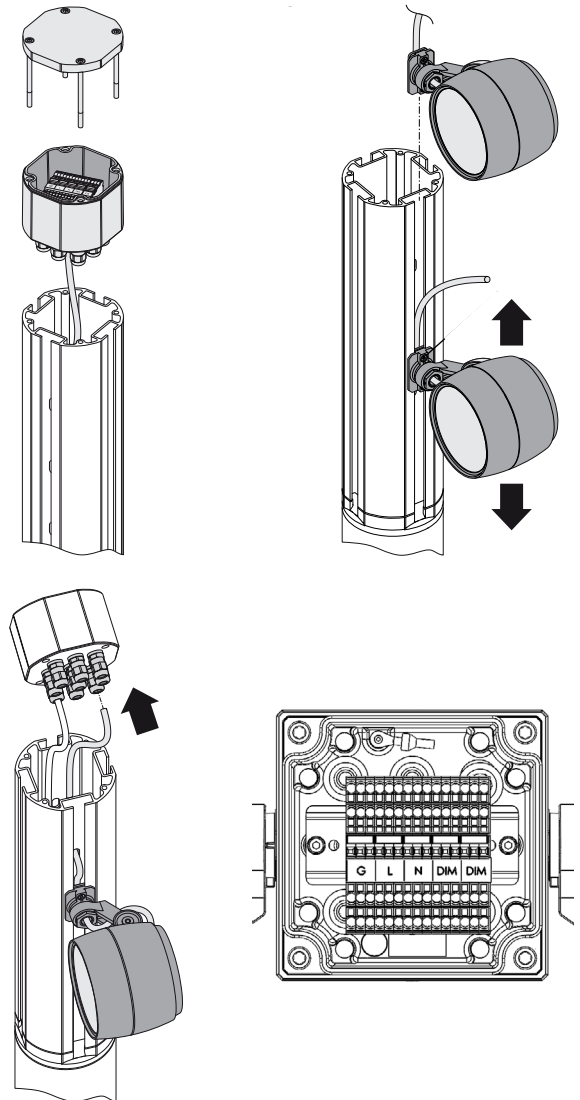
Notice to Installer:

1. See page 3 for specific product safety warnings.
2. Fixture may be damaged if connected to conduit systems that contain water - Article 300-5G of the National Electric Code requires that "Conduits or raceways through which moisture may contact energized live parts shall be sealed or plugged at either or both ends."
3. Adequate foundation must be provided for intended loading. Size of footing depends on the topography, soil composition, and wind load and must be determined by a structural engineer on site. Adequate drainage must be provided in concrete foundation or grout.
4. See page 1 for installation instructions for anchorage.
5. **WARNING: DO NOT INSTALL PROFILE POLE WITHOUT FLOODLIGHTS. UNLOADED POLES CAN EXPERIENCE EXCESSIVE VIBRATION, CAUSING THE STRUCTURAL INTEGRITY TO BE COMPROMISED. INSTALLING THE POLE WITHOUT THE FLOODLIGHTS WILL VOID WARRANTY.**
6. Profile pole can support up to (8) individual floodlights, with a maximum of (2) per side.
7. **SUITABLE FOR INSTALLATION IN WIND ZONES WITH A MAXIMUM WIND SPEED UP TO 100 MPH PER EN 60598.**

84696 pole and floodlight installation:

1. Profile pole and profile pole floodlights will ship separately. Have floodlights ready to install, and assemble floodlights and pole together before erecting pole. Do not install pole without floodlights. See floodlight installation for additional details.
2. Open top of profile pole by loosening (4) 5mm hex head screws to access floodlight wiring connection box. See Figure 1.
3. Slide floodlight into channel to desired location. Secure into place by tightening (2) 4mm hex head screws located on the floodlight mounting adaptor.
4. Route floodlight cable through closest slotted hole into pole.
5. Route floodlight cable through cable gland into the wiring connection box.
6. Make floodlight wiring connections in terminal block:
 - BLACK FLOODLIGHT WIRE TO TERMINAL BLOCK "L" (LINE VOLTAGE)
 - WHITE FLOODLIGHT WIRE TO TERMINAL BLOCK "N" (NEUTRAL)
 - GREEN FLOODLIGHT WIRE TO TERMINAL BLOCK "G" (GROUND)
 - 0-10V DIMMING (OR DALI DIMMING) IF APPLICABLE
 - PURPLE FLOODLIGHT WIRE TO TERMINAL BLOCK "DIM"
 - PINK FLOODLIGHT WIRE TO TERMINAL BLOCK "DIM"
7. **WARNING: 0-10V DIMMING IS POLARITY SENSITIVE. CONNECT ALL PURPLE WIRES TOGETHER AND ALL PINK WIRES TOGETHER. 0-10V DIMMING WILL DIM ALL FIXTURES SIMULTANEOUSLY. FOR INDIVIDUAL CONTROLLABILITY, DALI OPTION MUST BE SELECTED (IF AVAILABLE).**
8. After all floodlights are wired and secured, close wiring connection box. Tighten the (4) 5mm hex head screws evenly to ensure gasket seals correctly.
9. Floodlights can be adjusted 350° around the knuckle, and tilted -30° / +140°. Loosen the nut at the mounting adaptor or the 5mm hex head screw at the knuckle and aim accordingly. Nut at mounting adaptor must be tightened to 35Nm to secure. Knuckle set screw must be tightened to 7Nm to secure.
10. Erect pole onto anchor base. Slip pole over anchor base and aim accordingly. Secure pole to anchor base by tightening (8) 4mm set screws at base of pole.
11. Open access door at base of pole and make supply wiring connections.
 - MAIN VOLTAGE SUPPLY WIRE TO BLACK POLE CABLE WIRE
 - NEUTRAL (COMMON) SUPPLY WIRE TO WHITE POLE CABLE WIRE
 - GREEN GROUND WIRE TO GREEN POLE CABLE WIRE
 - 0-10V DIMMING (OR DALI DIMMING) IF APPLICABLE
 - DIM CONTROL WIRE (+) TO PURPLE POLE CABLE WIRE
 - DIM CONTROL WIRE (-) TO PINK POLE CABLE WIRE
12. Additional grounding is required - connect ground supply wire to both green luminaire wire and green grounding lug located on the din rail behind the access door in element pole.
13. Close access door.

Figure 1:



Compatible Floodlights

Please refer to the appropriate floodlight installation sheet for further instruction when applicable.

- Performance floodlight - very narrow beam **84660**
- Performance floodlight - very narrow beam **84661**
- Performance floodlight - narrow beam **84662**
- Performance floodlight - wide beam **84663**
- Performance floodlight - very narrow beam **84692**
- Performance floodlight - very narrow beam **84693**
- Performance floodlight - narrow beam **84694**
- Performance floodlight - wide beam **84695**

Maintenance:

Clean regularly with solvent-free cleaner removing dirt and debris. Do not use high pressure cleaners.

Replacement Parts

See label inside of fixture for LED replacement part number.

Consult factory for all other replacement components.

Product Safety Warnings:

THIS PRODUCT MUST BE INSTALLED IN ACCORDANCE WITH THE APPLICABLE INSTALLATION CODE BY A PERSON FAMILIAR WITH THE CONSTRUCTION AND OPERATION OF THE PRODUCT AND THE HAZARDS INVOLVED. SUITABLE FOR MOUNTING WITHIN 1.2 m (4 ft) OF THE GROUND. SUITABLE FOR WET LOCATIONS. MIN 60°C SUPPLY CONDUCTORS.

CE PRODUIT DOIT ÊTRE INSTALLÉ SELON LE CODE D'INSTALLATION PERTINENT, PAR UNE PERSONNE QUI CONNAÎT BIEN LE PRODUIT ET SON FONCTIONNEMENT AINSI QUE LES RISQUES INHÉRENTS. PEUT ÊTRE INSTALLÉ À MOINS DE 1,2 m (4 pi) DU SOL. CONVIENT AUX EMPLACEMENTS MOUILLÉS. LES FILS D'ALIMENTATION 60°C MIN.

Installer agrees that the prevention of accidents to its workers who handle, install, lift, or load Bega supplied products is solely Installer's responsibility. In handling, lifting, handling or installing Bega supplied products, Installer shall comply with its own internal safety plans and guidelines and all state and federal laws, standards, ordinances, rules, regulations, codes, requirements, orders, and requirements, including those issued by local, state or federal Occupational Health and Safety agencies, concerning safety and weight limitations now in force or hereafter in effect. Installer further agrees and understands that lifting or carrying loads heavier than 50 pounds may increase the risk of injury, and any persons lifting or carrying Bega supplied products exceeding 50 pounds shall assess the risks of lifting the materials for each person and, when appropriate, use two or more people to lift or handle the material or use special lifts or mechanical means.