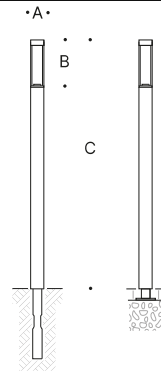


Tools Required:

- 4mm hex head screwdriver
- Adjustable wrench

Overview:

LED Watts: 19.5 W
 System Watts: 24.0 W
 Controllability: 0-10V, TRIAC, and ELV dimmable
 Weight: 24.3 lbs.
 Protection Class: IP65



Dimensions

- A:** 5-1/4
- B:** 18-1/2
- C:** 97-1/4



Notice to Installer:

1. See page 2 for specific product safety warnings.
2. Fixture may be damaged if connected to conduit systems that contain water - Article 300-5G of the National Electric Code requires that "Conduits or raceways through which moisture may contact energized live parts shall be sealed at either or both ends."
3. Fixture ships in two parts, the head and post will be in separate boxes.

71243 Anchor installation:

1. Anchor kit 71243 must be installed in concrete. This anchorage kit is buried below the finished grade. Attention to alignment, leveling, and location is required for proper installation See Figure 1.
2. Provide means to bring supply wiring to luminaire in accordance with local code. The template has a 3" diameter conduit opening for conduit entry. Provide adequate foundation reinforcement for the intended load (by others).
3. Use template (Figure 3) and anchor bolts provided. Anchor bolts can be installed by either attaching template to concrete form, or by inserting anchor bolts into poured concrete. Ensure template and anchor bolts are leveled properly.
4. Make sure anchor bolts will not protrude from concrete foundation more than 2-1/4".
5. Once the concrete footing is set, remove template and pull supply wiring through anchor base to a height of 36" to allow for wiring connections to be made later.
6. Attach anchor base to anchor bolts using leveling washers, lock washers, and hex nuts (provided).
7. Install finished grade.

71242 Optional direct burial anchor installation:

1. Provide means to bring supply wiring to the conduit entry location per local code.
2. Prepare soil for anchorage or cast the post in concrete.
3. Make sure anchorage is installed firmly into the ground and mounted level to the surface.
4. Bury anchorage and finish surface. Minimum burial depth is 31-1/2". See luminaire submittal drawing for additional details.

84747 luminaire installation:

1. Fixture ships in two parts. Assemble top of luminaire and post together. Do not install post without head attached.
2. Route wires from luminaire head through post to base of light building element for connections to be made later.
3. Secure head in place by tightening (3) 4mm hex head set screws on the back of the post.
4. Make supply wiring connections in the base of the post
 MAIN VOLTAGE SUPPLY WIRE TO BLACK LUMINAIRE WIRE
 NEUTRAL (COMMON) SUPPLY WIRE TO WHITE LUMINAIRE WIRE
 GREEN GROUND WIRE TO GREEN LUMINAIRE WIRE
 0-10V dimming (if applicable):
 DIM CONTROL WIRE (+) TO POSITIVE LUMINAIRE DIM CONTROL WIRE
 DIM CONTROL WIRE (-) TO NEGATIVE LUMINAIRE DIM CONTROL WIRE
5. Place post over anchor base ensuring the fixture is oriented correctly for desired light output direction.
6. Secure post to anchor base by tightening (6) 4mm hex head screws at the base of the post.

Figure 1:

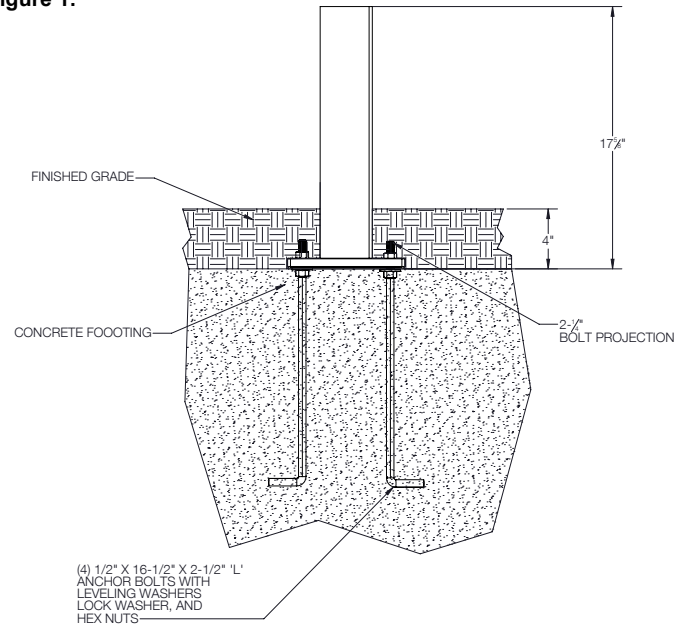
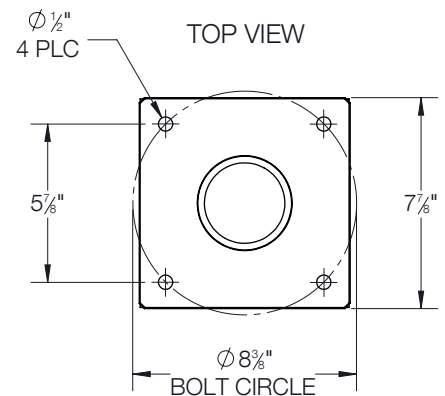


Figure 2:



Accessories

Please refer to the appropriate accessory installation sheet for further instruction when applicable.

Maintenance:

Clean regularly with solvent-free cleaner removing dirt and debris. Do not use high pressure cleaners.

Replacement Parts

See label inside of fixture for LED replacement part number.

Consult factory for all other replacement components.

Product Safety Warnings:

THIS PRODUCT MUST BE INSTALLED IN ACCORDANCE WITH THE APPLICABLE INSTALLATION CODE BY A PERSON FAMILIAR WITH THE CONSTRUCTION AND OPERATION OF THE PRODUCT AND THE HAZARDS INVOLVED. SUITABLE FOR MOUNTING WITHIN 1.2 m (4 ft) OF THE GROUND. SUITABLE FOR WET LOCATIONS. MIN 60°C SUPPLY CONDUCTORS.

CE PRODUIT DOIT ÊTRE INSTALLÉ SELON LE CODE D'INSTALLATION PERTINENT, PAR UNE PERSONNE QUI CONNAÎT BIEN LE PRODUIT ET SON FONCTIONNEMENT AINSI QUE LES RISQUES INHÉRENTS. PEUT ÊTRE INSTALLÉ À MOINS DE 1,2 m (4 pi) DU SOL. CONVIENT AUX EMPLACEMENTS MOUILLÉS. LES FILS D'ALIMENTATION 60°C MIN.