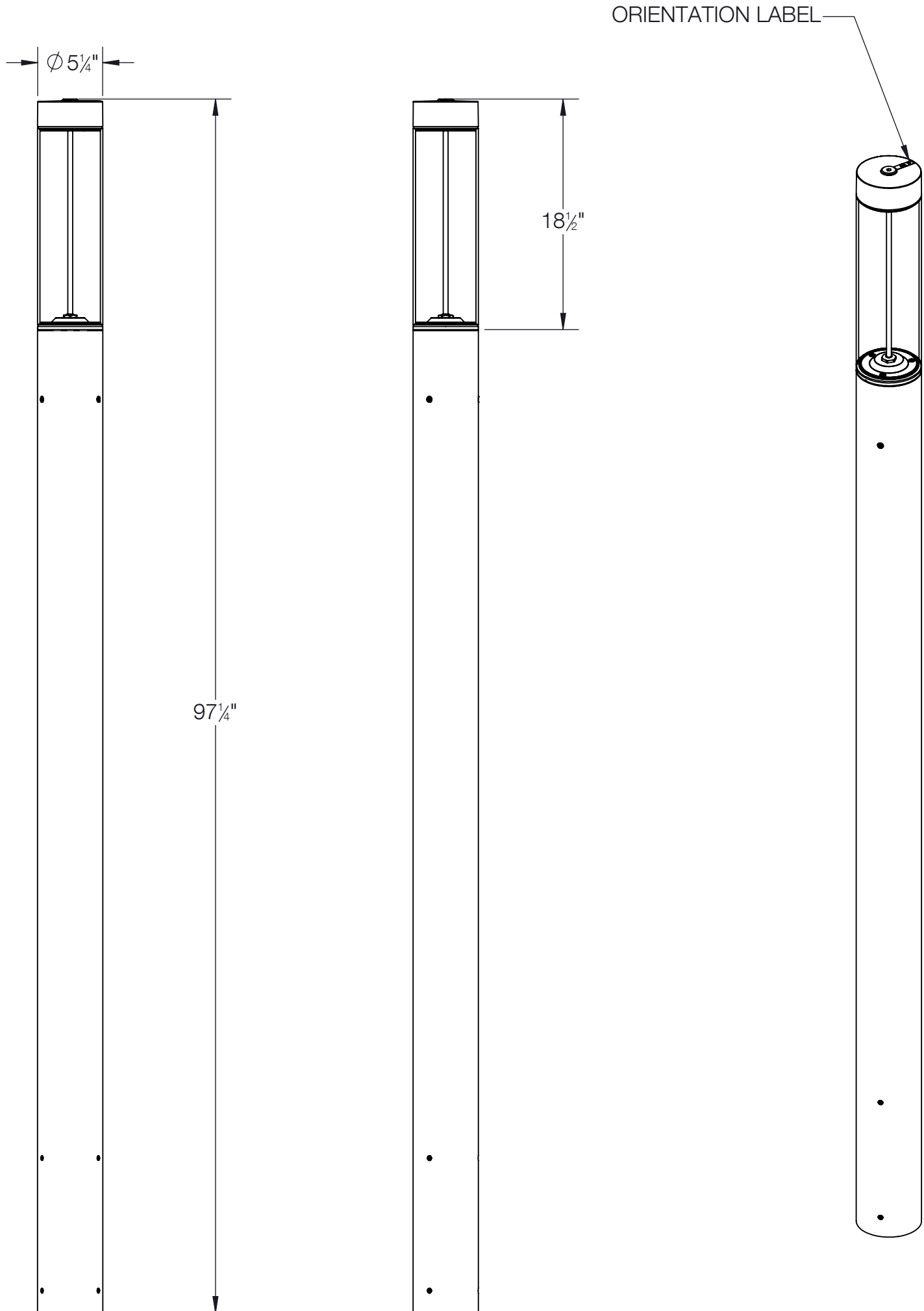


REV	CHANGED BY	DESCRIPTION	DATE

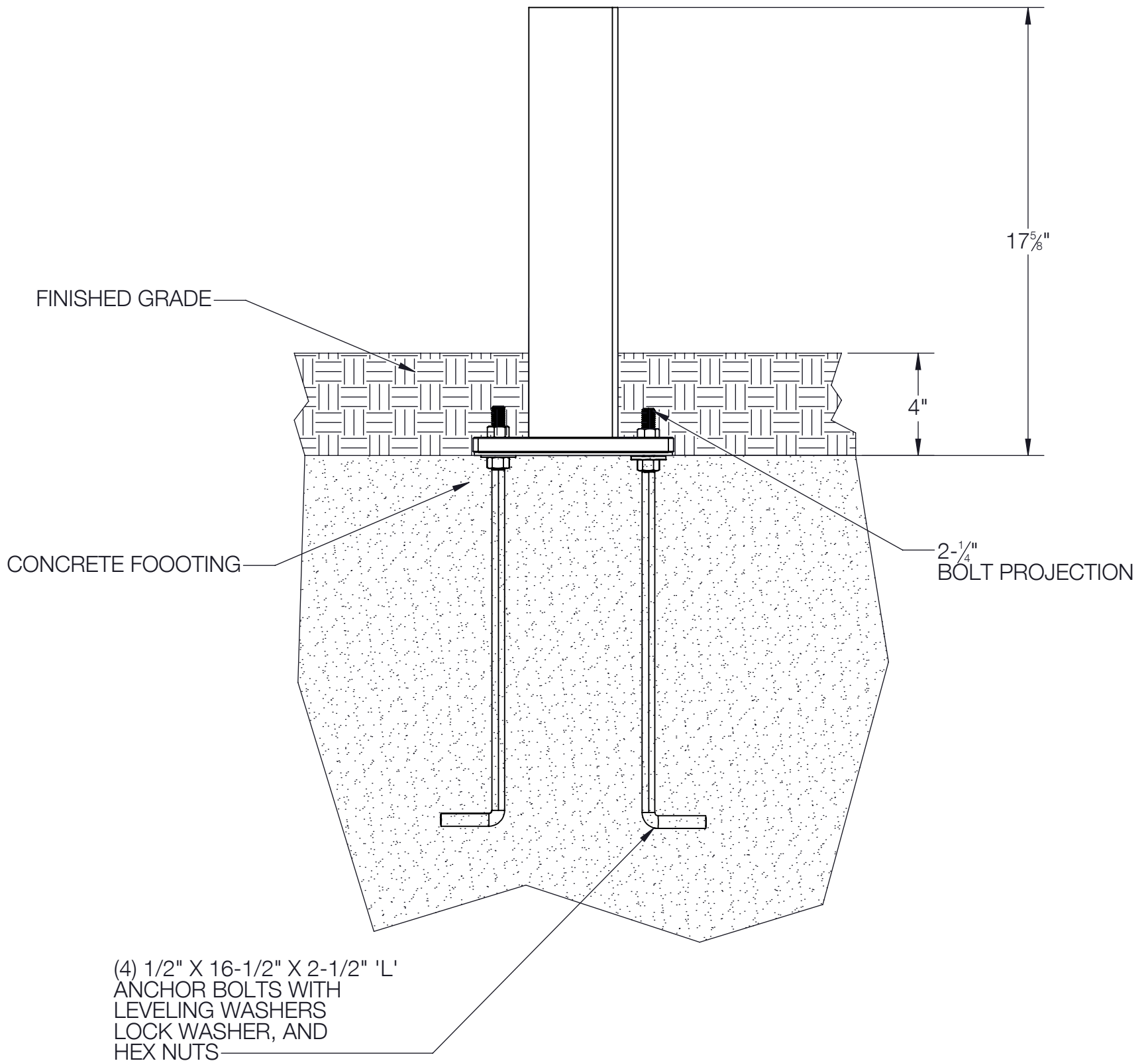
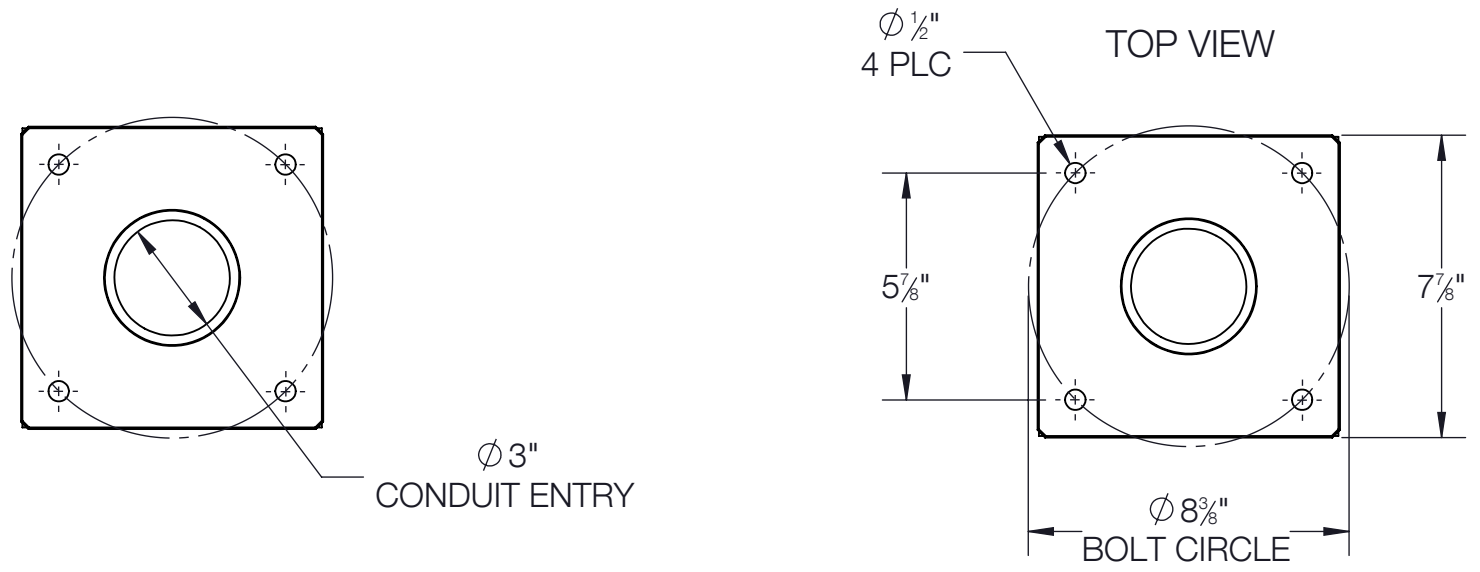


NOTES:

1. INCLUDES 71243 - ANCHOR KIT
2. OPTIONAL 71242 - DIRECT BURIAL ANCHORAGE KIT

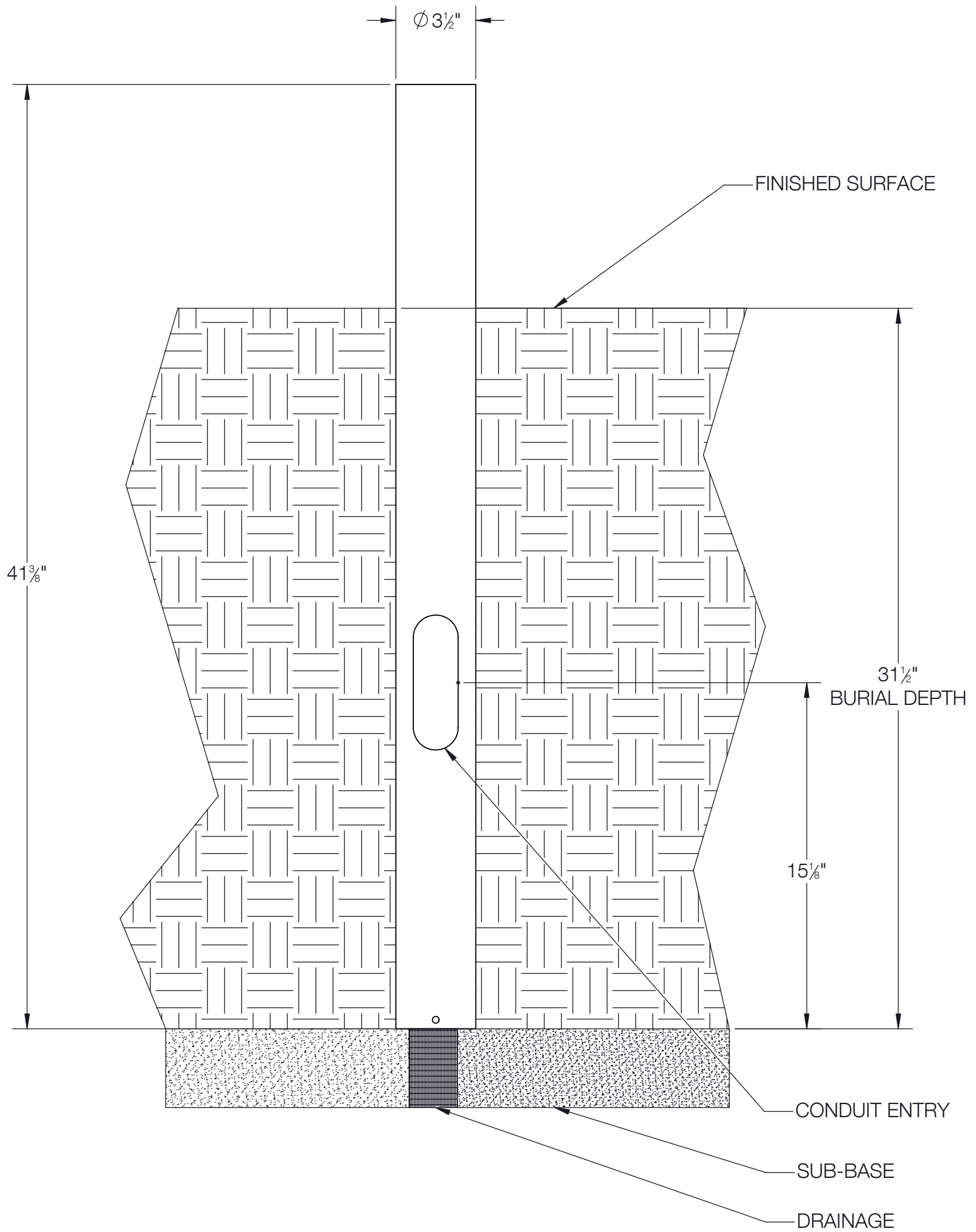
BEGA			
1000 BEGA Way, Carpinteria, California 93013		P (805) 684-0533 - www.bega-us.com	
APPROVED: _____	DATE: _____	DESCRIPTION: BUILDING ELEMENT - ASYMMETRIC	
TYPE: _____		SIZE B	PART NO. 84748
<small>PROPRIETARY AND CONFIDENTIAL THE INFORMATION CONTAINED IN THIS DRAWING IS THE SOLE PROPERTY OF BEGA NORTH AMERICA, INC. ANY REPRODUCTION IN PART OR AS A WHOLE WITHOUT THE WRITTEN PERMISSION OF BEGA NORTH AMERICA, INC. IS PROHIBITED.</small>		REV -	NOT TO SCALE 2/9/2026 SHEET 1 OF 3

REV	CHANGED BY	DESCRIPTION	DATE



BEGA		1000 BEGA Way, Carpinteria, California 93013		P (805) 684-0533 - www.bega-us.com	
APPROVED: _____		DATE: _____		DESCRIPTION: ANCHOR KIT - INCLUDED	
TYPE: _____		SIZE B	PART NO. 71243	REV -	
<small> PROPRIETARY AND CONFIDENTIAL THE INFORMATION CONTAINED IN THIS DRAWING IS THE SOLE PROPERTY OF BEGA NORTH AMERICA, INC. ANY REPRODUCTION IN PART OR AS A WHOLE WITHOUT THE WRITTEN PERMISSION OF BEGA NORTH AMERICA, INC. IS PROHIBITED. </small>		NOT TO SCALE	2/9/2026	SHEET 2 OF 3	

REV	CHANGED BY	DESCRIPTION	DATE



NOTES:

1. OPTIONAL DIRECT BURIAL ANCHORAGE
2. INCLUDES ANCHOR PLATE FOR STABILITY DURING INSTALLATION

BEGA		1000 BEGA Way, Carpinteria, California 93013		P (805) 684-0533 - www.bega-us.com	
APPROVED: _____		DATE: _____		DESCRIPTION: OPTIONAL DIRECT BURIAL ANCHORAGE	
TYPE: _____		PROPRIETARY AND CONFIDENTIAL		SIZE	PART NO.
THE INFORMATION CONTAINED IN THIS DRAWING IS THE SOLE PROPERTY OF BEGA NORTH AMERICA, INC. ANY REPRODUCTION IN PART OR AS A WHOLE WITHOUT THE WRITTEN PERMISSION OF BEGA NORTH AMERICA, INC. IS PROHIBITED.		B	71242	REV	-
NOT TO SCALE		2/9/2026	SHEET 3 OF 3		