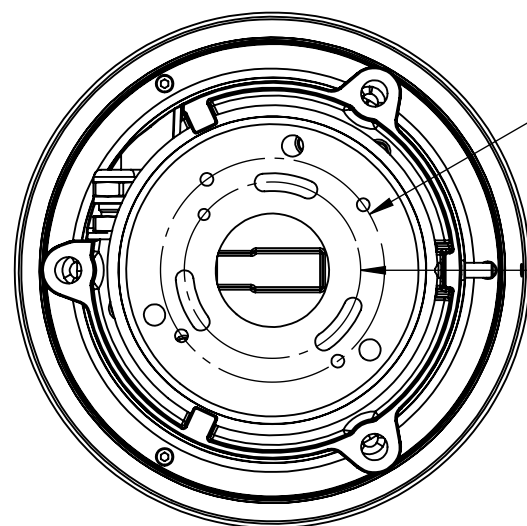
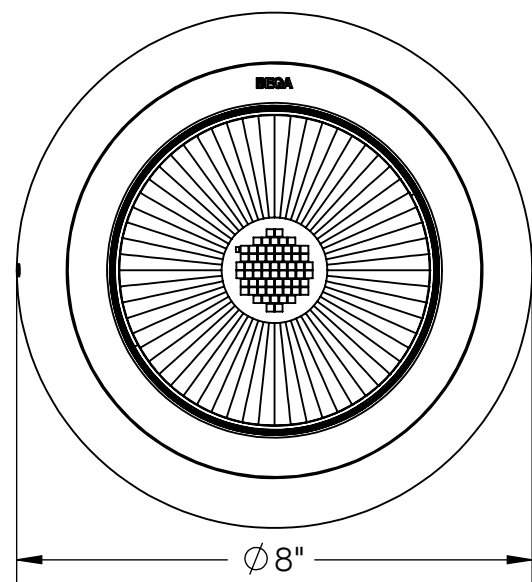
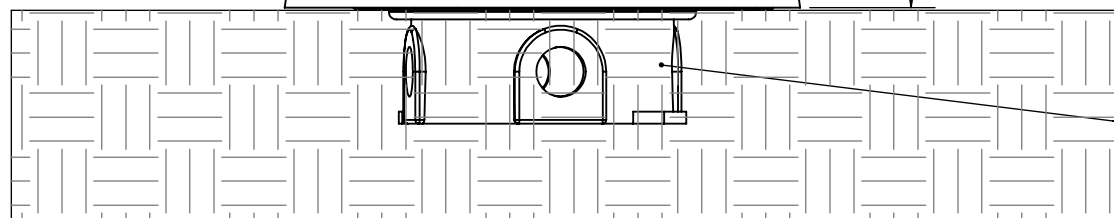
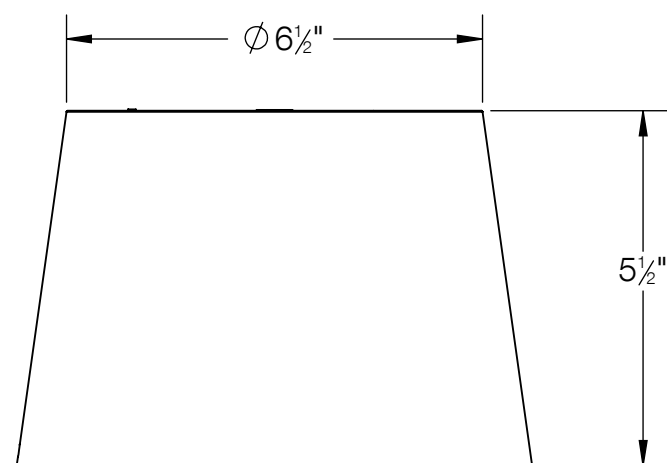
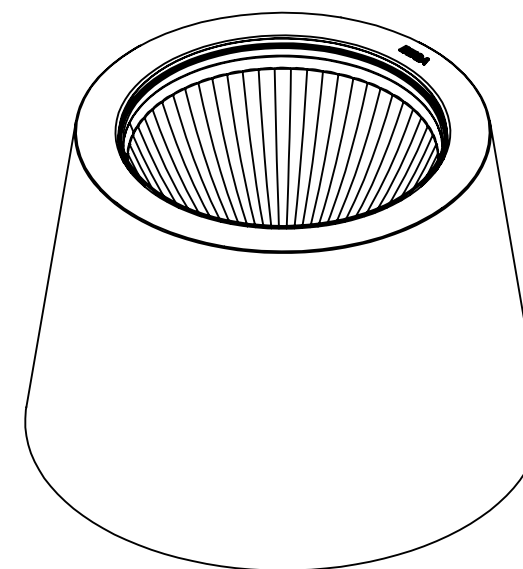


REV	CHANGED BY	DESCRIPTION	DATE



BOTTOM VIEW



MOUNTS DIRECTLY TO WET LOCATION JUNCTION BOX (BY OTHERS)

- NOTES:
1. GROUND MOUNTED - MOUNTS DIRECTLY TO WET LOCATION WIRING BOX (BY OTHERS)
 2. LUMINAIRE IS ROTATABLE 360° ON MOUNTING PLATE INDEPENDENT OF ANCHOR ORIENTATION
 3. OPTIONAL DIRECT BURIAL ANCHORAGE #71246- SEE PAGE 2

BEGA

1000 BEGA Way, Carpinteria, California 93013

P (805) 684-0533 - www.bega-us.com

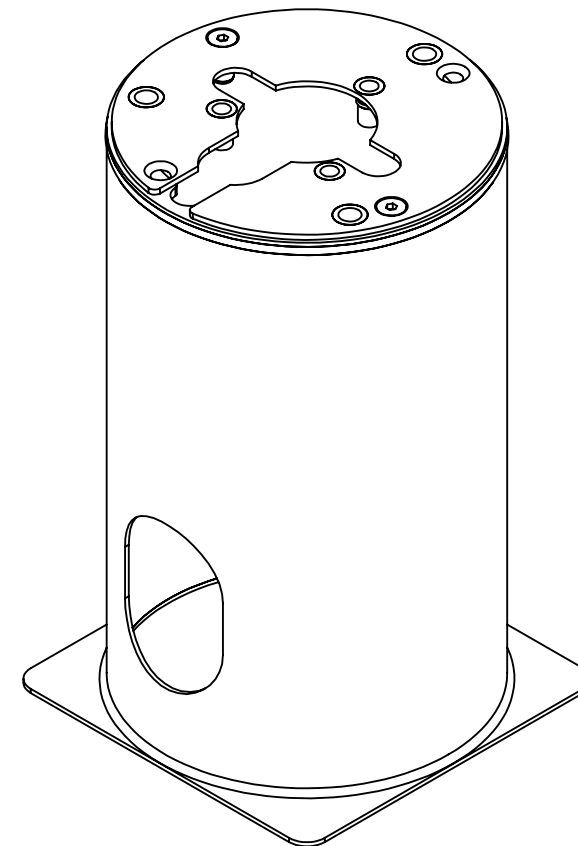
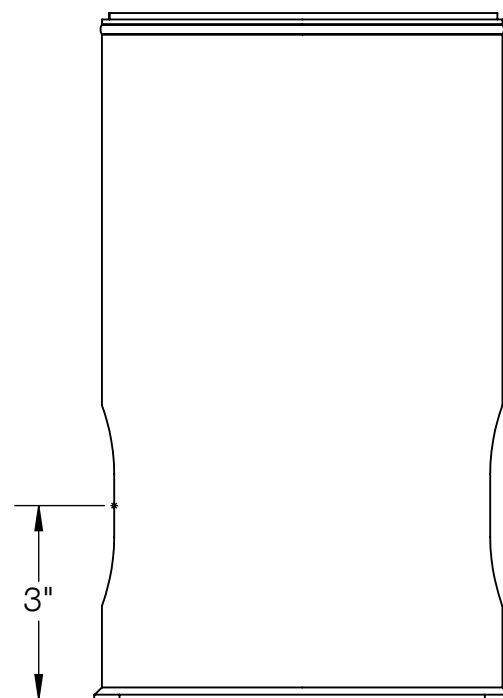
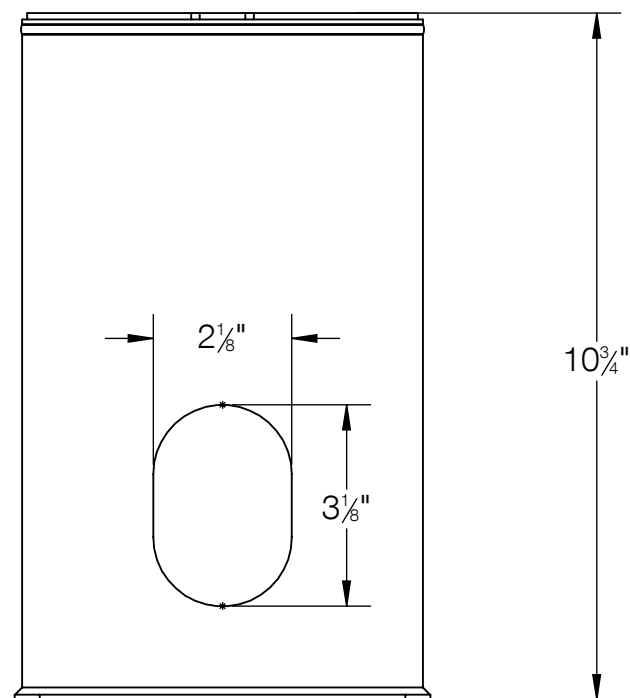
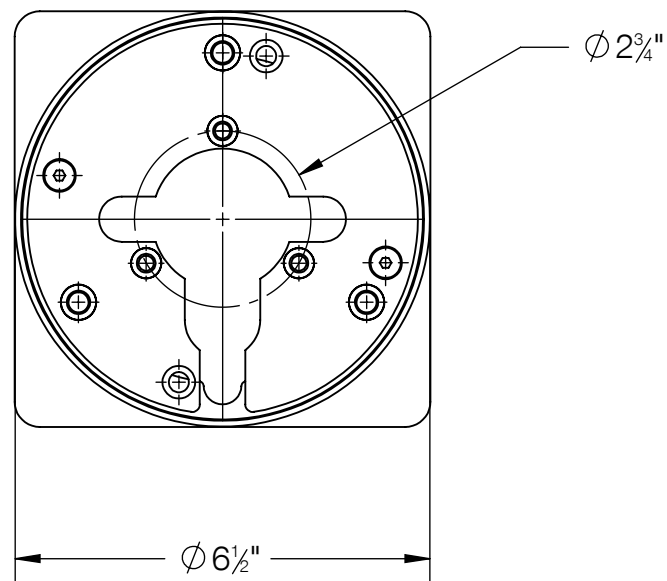
APPROVED: _____ DATE: _____
TYPE: _____

DESCRIPTION: GROUND MOUNTED
FLOODLIGHT - SYMMETRIC

PROPRIETARY AND CONFIDENTIAL
THE INFORMATION CONTAINED IN THIS DRAWING IS THE SOLE PROPERTY OF BEGA NORTH AMERICA, INC. ANY REPRODUCTION IN PART OR AS A WHOLE WITHOUT THE WRITTEN PERMISSION OF BEGA NORTH AMERICA, INC. IS PROHIBITED.

SIZE	PART NO.	REV
B	84757	-
NOT TO SCALE	4/22/2026	SHEET 1 OF 2

REV	CHANGED BY	DESCRIPTION	DATE



NOTE:
1. 71246 OPTIONAL DIRECT BURIAL ANCHORAGE KIT

BEGA		1000 BEGA Way, Carpinteria, California 93013		P (805) 684-0533 - www.bega-us.com	
APPROVED: _____ DATE: _____		DESCRIPTION: DIRECT BURIAL ANCHOR KIT			
TYPE: _____		SIZE B		PART NO. B71246	
PROPRIETARY AND CONFIDENTIAL THE INFORMATION CONTAINED IN THIS DRAWING IS THE SOLE PROPERTY OF BEGA NORTH AMERICA, INC. ANY REPRODUCTION IN PART OR AS A WHOLE WITHOUT THE WRITTEN PERMISSION OF BEGA NORTH AMERICA, INC. IS PROHIBITED.		NOT TO SCALE		REV -	
		4/22/2026		SHEET 2 OF 2	