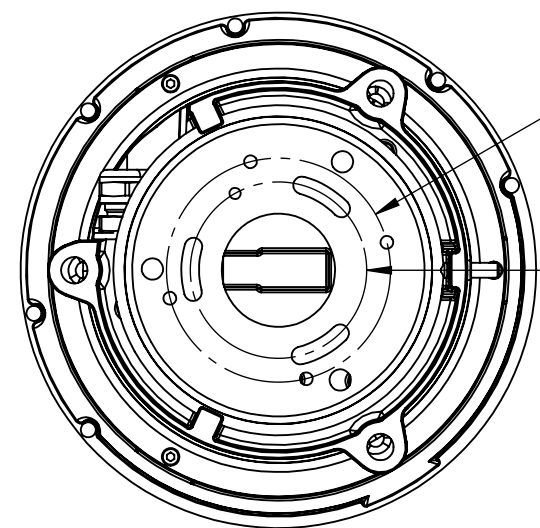
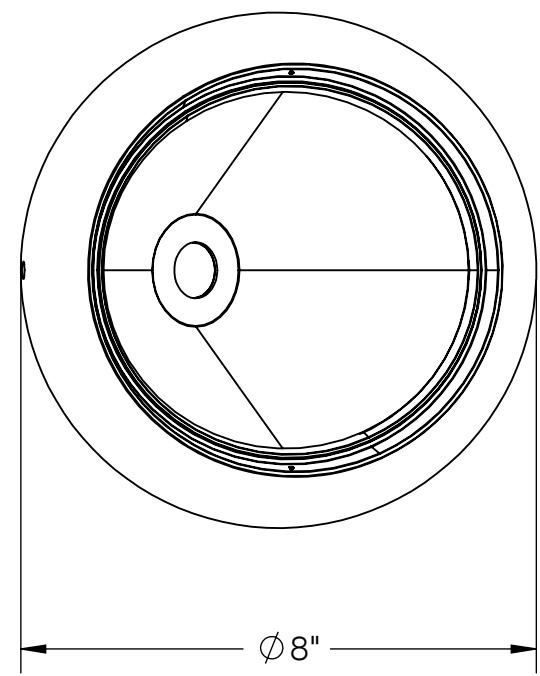


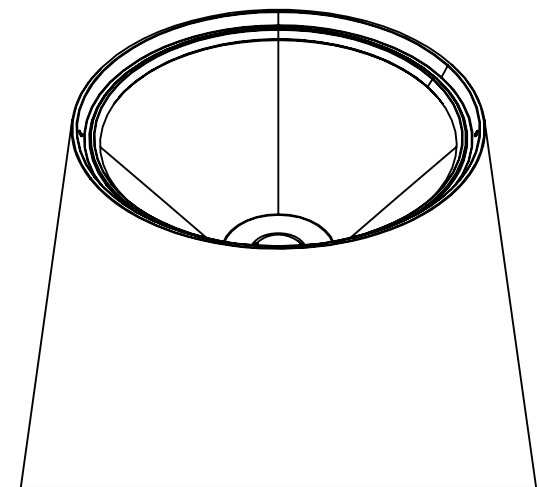
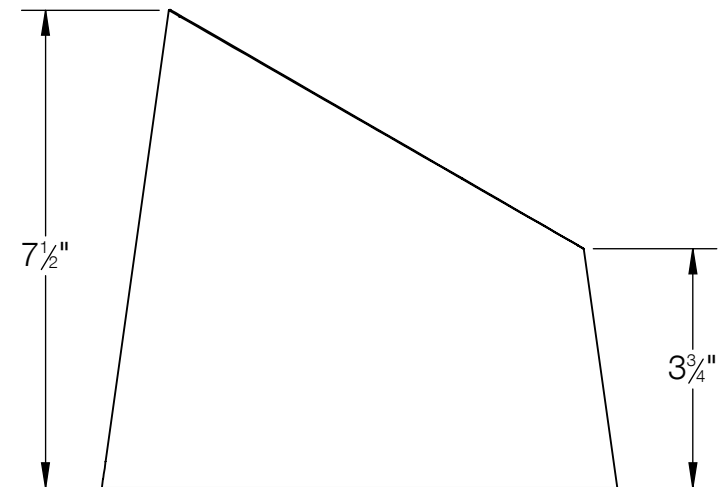
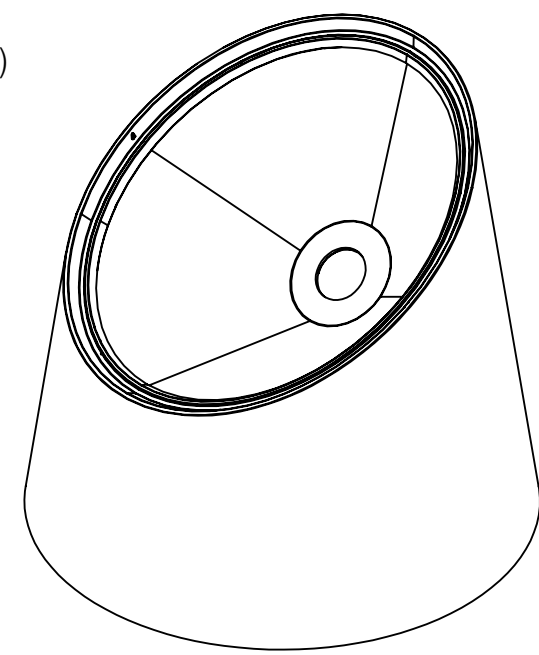
REV	CHANGED BY	DESCRIPTION	DATE



BOTTOM VIEW

$\phi 3\frac{1}{2}"$  MOUNTING HOLES  
(FOR WET LOCATION BOX)

$\phi 2\frac{3}{4}"$  MOUNTING SLOTS  
(FOR DIRECT BURIAL ANCHORAGE)

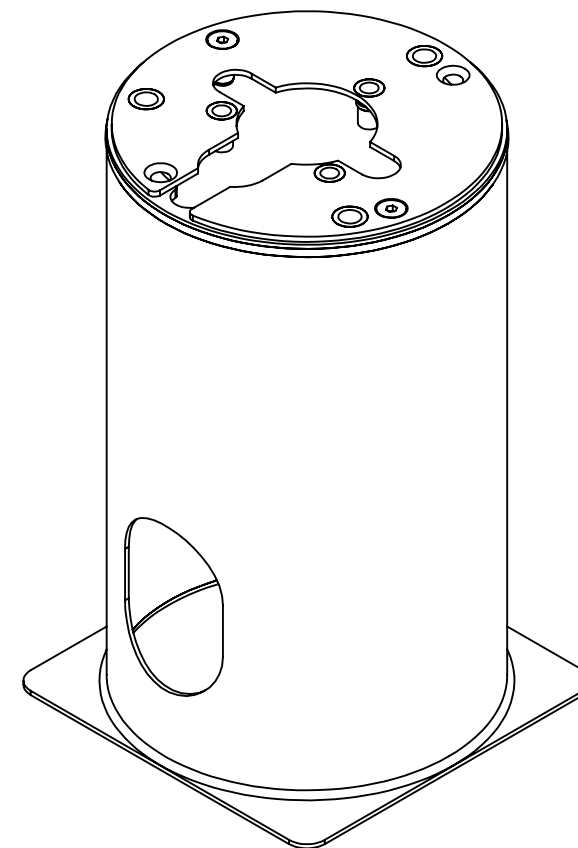
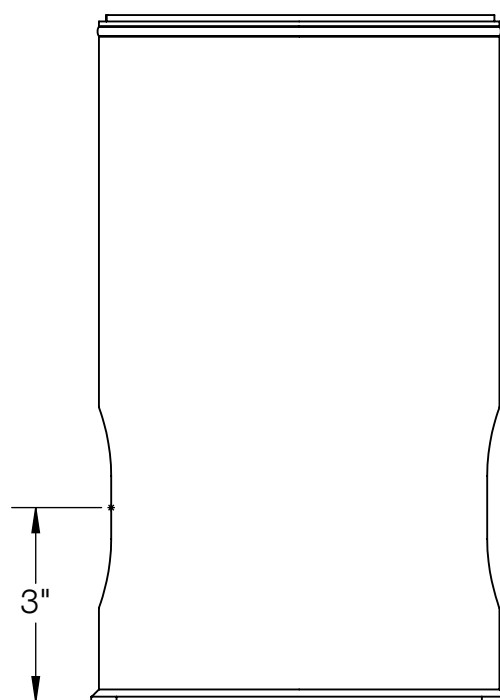
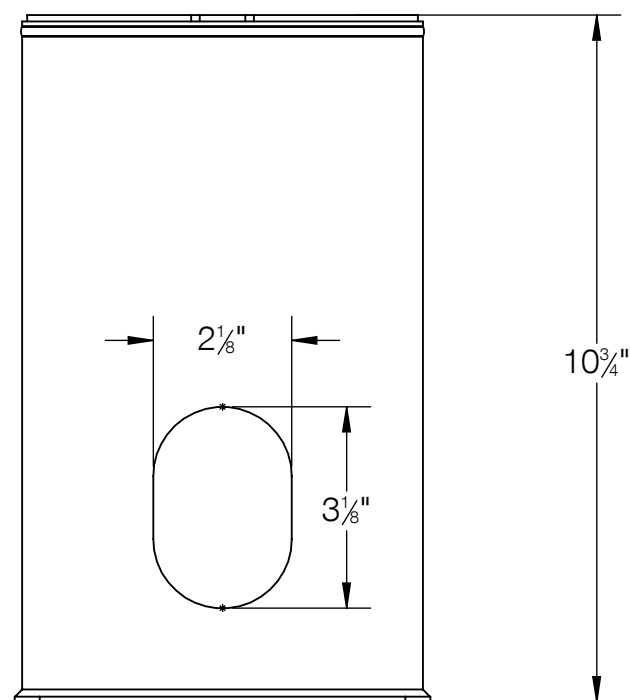
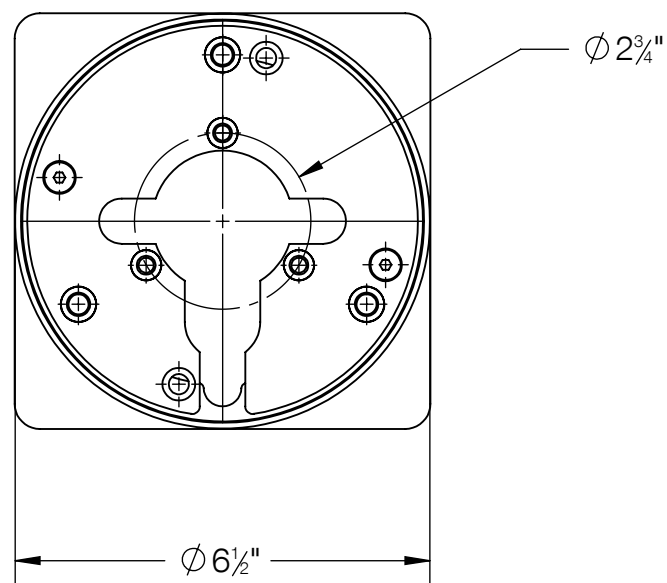


MOUNTS DIRECTLY TO WET LOCATION  
JUNCTION BOX (BY OTHERS)

- NOTES:
- GROUND MOUNTED - MOUNTS DIRECTLY TO WET LOCATION WIRING BOX (BY OTHERS)
  - LUMINAIRE IS ROTATABLE 360° ON MOUNTING PLATE INDEPENDENT OF ANCHOR ORIENTATION
  - OPTIONAL DIRECT BURIAL ANCHORAGE #71246- SEE PAGE 2

<b>BEGA</b>							
1000 BEGA Way, Carpinteria, California 93013 <span style="float: right;">P (805) 684-0533 - www.bega-us.com</span>							
APPROVED: _____ DATE: _____	DESCRIPTION: GROUND MOUNTED FLOODLIGHT - ASYMMETRIC						
TYPE: _____							
PROPRIETARY AND CONFIDENTIAL THE INFORMATION CONTAINED IN THIS DRAWING IS THE SOLE PROPERTY OF BEGA NORTH AMERICA, INC. ANY REPRODUCTION IN PART OR AS A WHOLE WITHOUT THE WRITTEN PERMISSION OF BEGA NORTH AMERICA, INC. IS PROHIBITED.	<table border="1"> <tr> <td>SIZE</td> <td>PART NO.</td> <td>REV</td> </tr> <tr> <td>B</td> <td>84758</td> <td>-</td> </tr> </table>	SIZE	PART NO.	REV	B	84758	-
SIZE	PART NO.	REV					
B	84758	-					
NOT TO SCALE	4/22/2026 SHEET 1 OF 2						

REV	CHANGED BY	DESCRIPTION	DATE



NOTE:  
1. 71246 OPTIONAL DIRECT BURIAL ANCHORAGE KIT

<b>BEGA</b>		1000 BEGA Way, Carpinteria, California 93013		P (805) 684-0533 - www.bega-us.com	
APPROVED: _____ DATE: _____		DESCRIPTION: DIRECT BURIAL ANCHOR KIT		TYPE: _____	
PROPRIETARY AND CONFIDENTIAL THE INFORMATION CONTAINED IN THIS DRAWING IS THE SOLE PROPERTY OF BEGA NORTH AMERICA, INC. ANY REPRODUCTION IN PART OR AS A WHOLE WITHOUT THE WRITTEN PERMISSION OF BEGA NORTH AMERICA, INC. IS PROHIBITED.		SIZE <b>B</b>	PART NO. <b>B71246</b>	REV -	NOT TO SCALE
		4/22/2026		SHEET 2 OF 2	