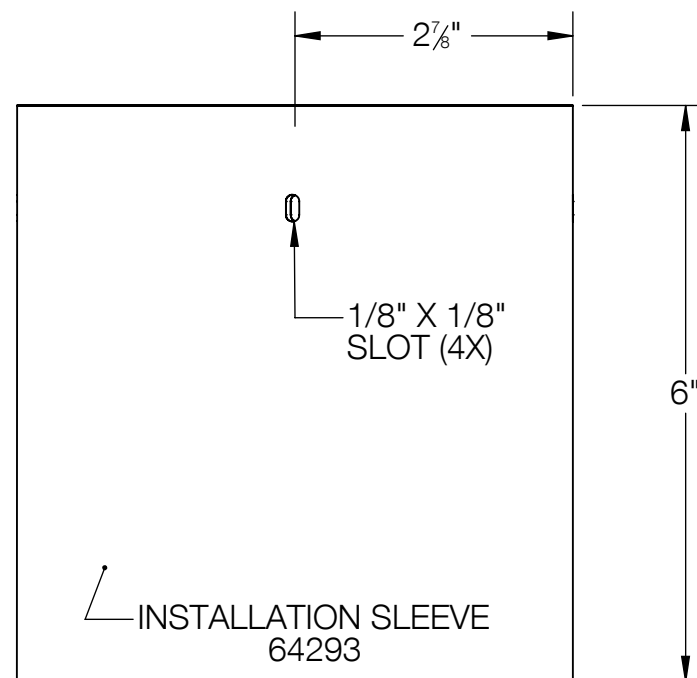
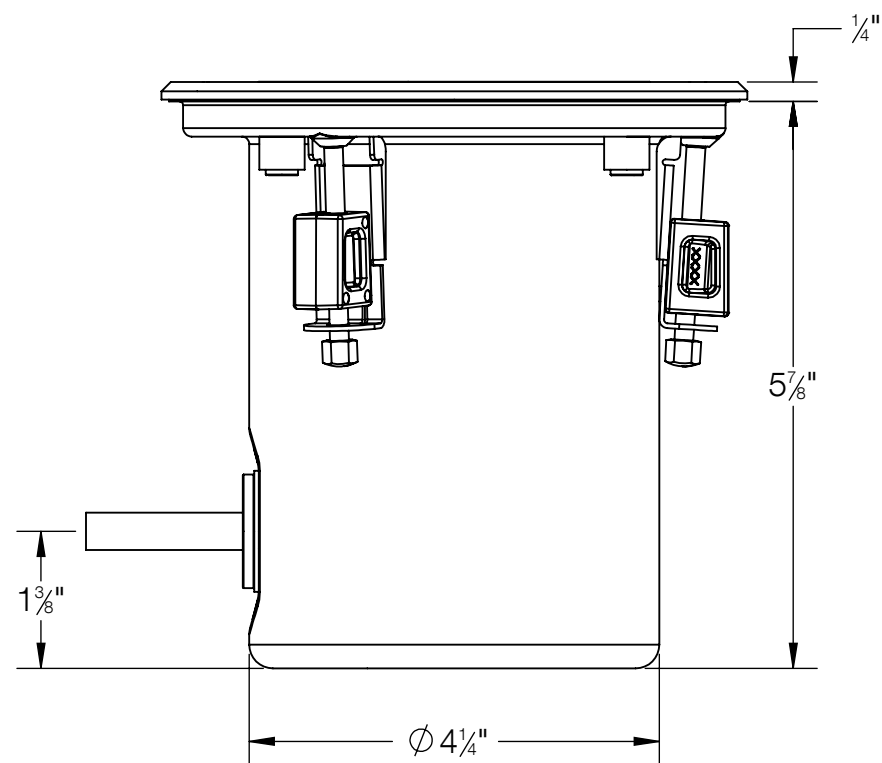
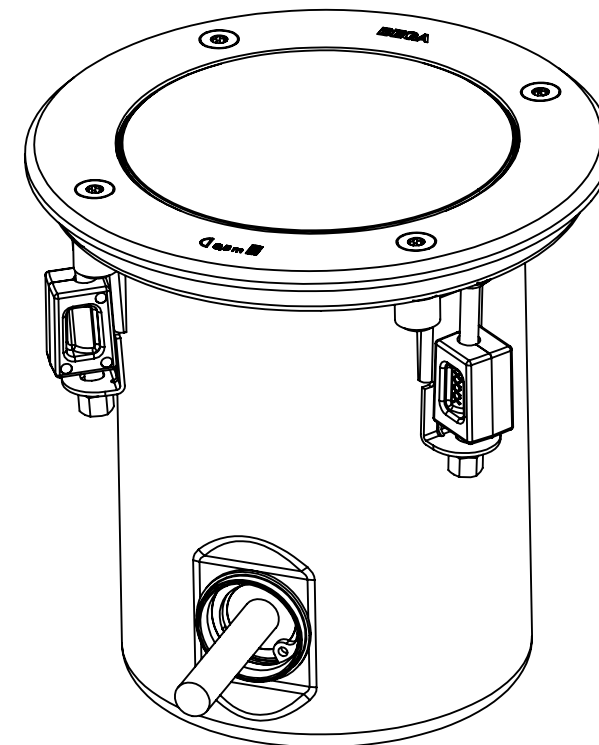
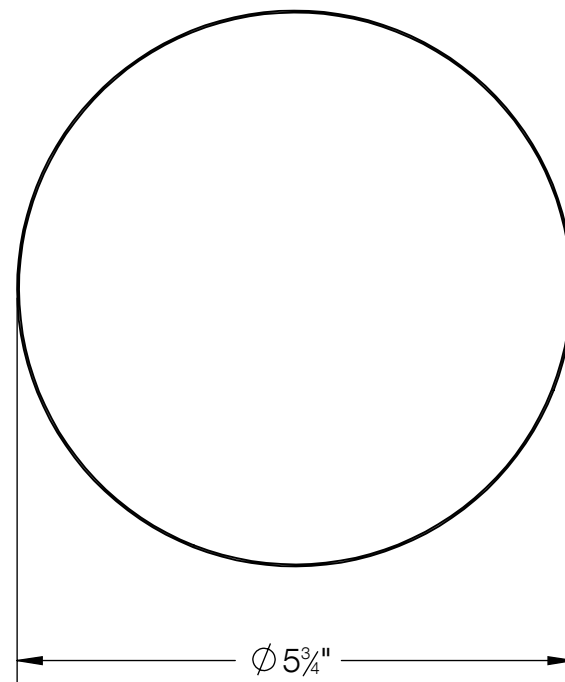
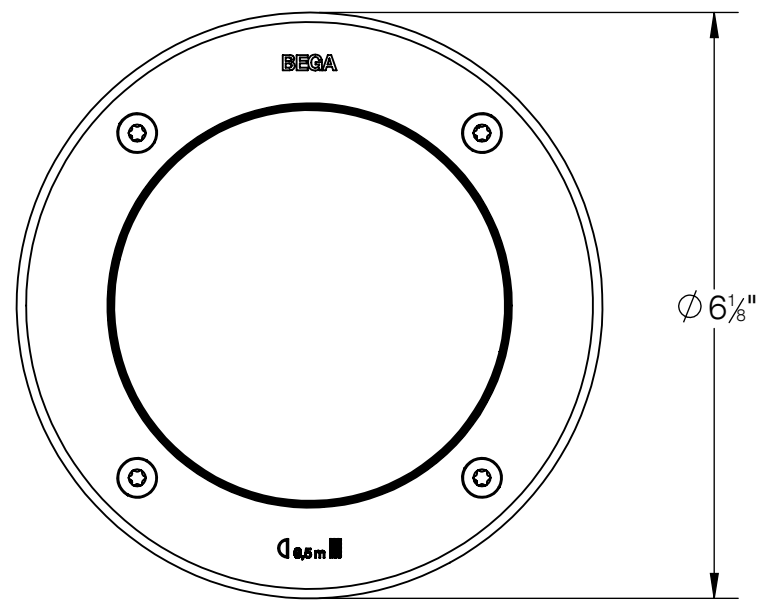


REV	CHANGED BY	DESCRIPTION	DATE



- NOTE:
1. INSTALLATION SLEEVE INCLUDED
  2. FIXING IS ACHIEVED BY USING THREE WEDGE SHAPED CLAMPING ELEMENTS
  3. MUST SUPPLYING MINIMUM OF 6" OF ADEQUATE DRAINAGE
  4. ADJUSTABLE OPTICAL ASSEMBLY: 0-30° TILT AND 360° ROTATABLE
  5. INCLUDES KIT #76 - WATERPROOF CONNECTORS

## BEGA

1000 BEGA Way, Carpinteria, California 93013

P (805) 684-0533 - www.bega-us.com

APPROVED: \_\_\_\_\_ DATE: \_\_\_\_\_

DESCRIPTION: IN-GRADE LUMINAIRE - WALL WASHER

TYPE: \_\_\_\_\_

PROPRIETARY AND CONFIDENTIAL

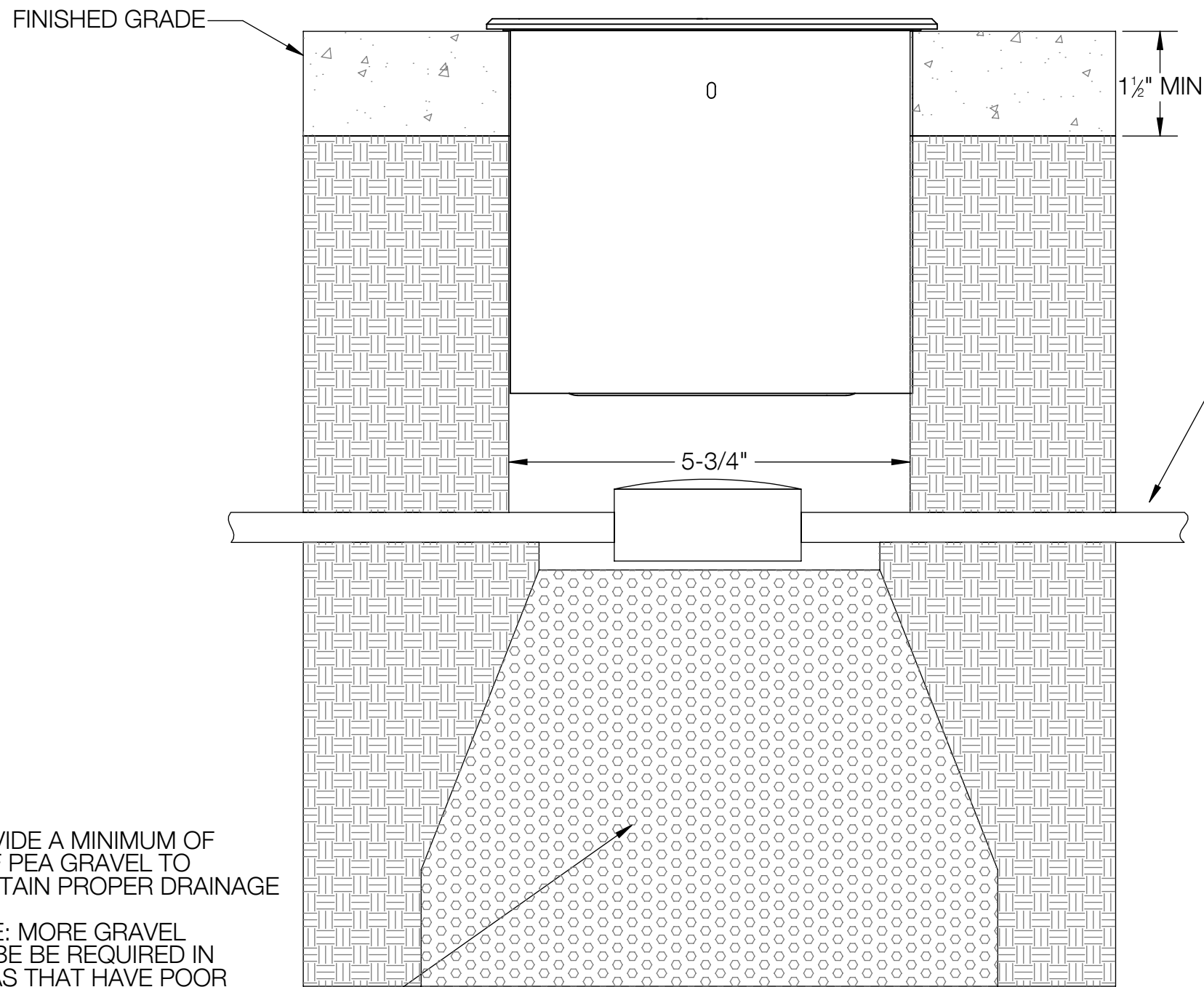
THE INFORMATION CONTAINED IN THIS DRAWING IS THE SOLE PROPERTY OF BEGA NORTH AMERICA, INC. ANY REPRODUCTION IN PART OR AS A WHOLE WITHOUT THE WRITTEN PERMISSION OF BEGA NORTH AMERICA, INC. IS PROHIBITED.

SIZE PART NO. REV

B 84766 -

NOT TO SCALE 5/18/2026 SHEET 1 OF 2

REV	CHANGED BY	DESCRIPTION	DATE



WATERPROOF J-BOX  
(BY OTHERS)  
MINIMUM 4"  
RECOMMENDED BELOW  
FIXTURE FOR CABLE AND  
JUNCTION BOX

PROVIDE A MINIMUM OF  
6" OF PEA GRAVEL TO  
MAINTAIN PROPER DRAINAGE

NOTE: MORE GRAVEL  
MAYBE BE REQUIRED IN  
AREAS THAT HAVE POOR  
SOIL DRAINAGE AND/OR  
ARE SUBJECT TO  
FREEZING

- NOTES:
1. INSTALLATION HOUSING/SLEEVE INCLUDED
  2. REQUIRED RECESSED OPENING Ø 5- 3/4"
  3. THE UPPER EDGE OF THE RECESS OPENING MUST BE FIRM ON A THICKNESS OF 1 1/2" MIN IN ORDER TO ACCEPT THE CLAMPING FORCES OF THE LUMINAIRE.

<b>BEGA</b>			
1000 BEGA Way, Carpinteria, California 93013		P (805) 684-0533 - www.bega-us.com	
APPROVED: _____	DATE: _____	DESCRIPTION: IN-GRADE LUMINAIRE - WALL WASHER	
TYPE: _____		SIZE <b>B</b>	PART NO. <b>84766</b>
PROPRIETARY AND CONFIDENTIAL THE INFORMATION CONTAINED IN THIS DRAWING IS THE SOLE PROPERTY OF BEGA NORTH AMERICA, INC. ANY REPRODUCTION IN PART OR AS A WHOLE WITHOUT THE WRITTEN PERMISSION OF BEGA NORTH AMERICA, INC. IS PROHIBITED.		REV -	NOT TO SCALE
		5/18/2026	SHEET 2 OF 2