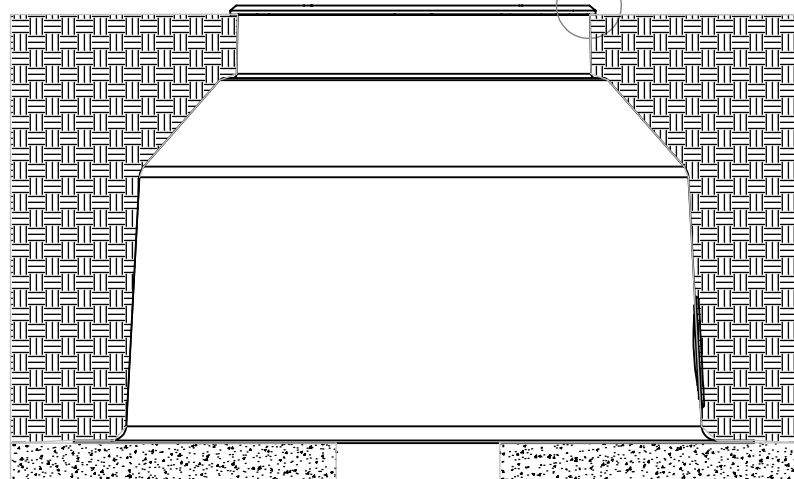
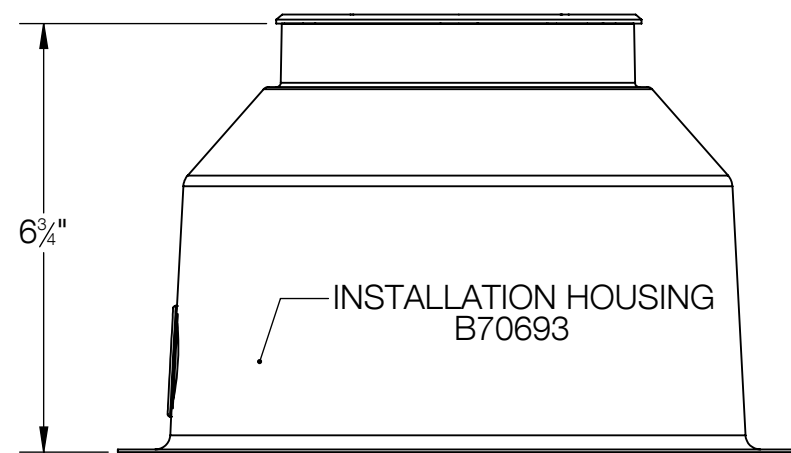
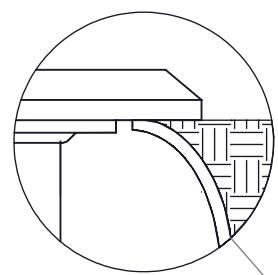
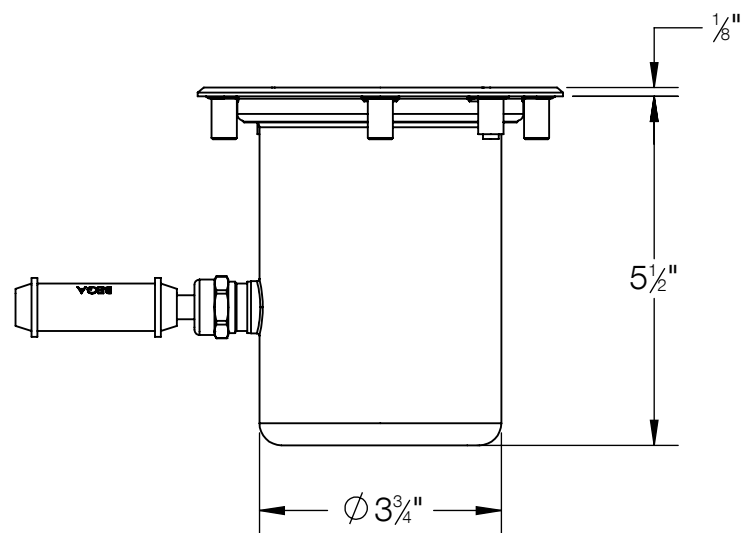
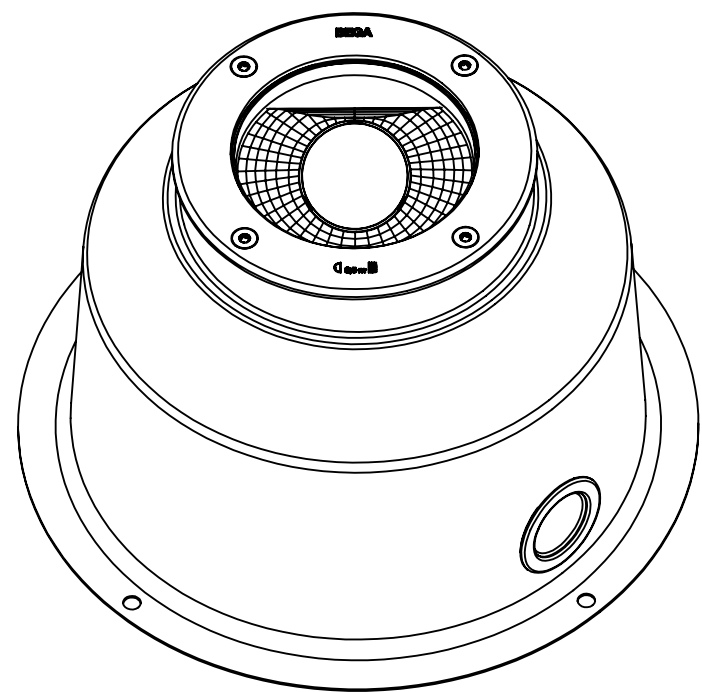
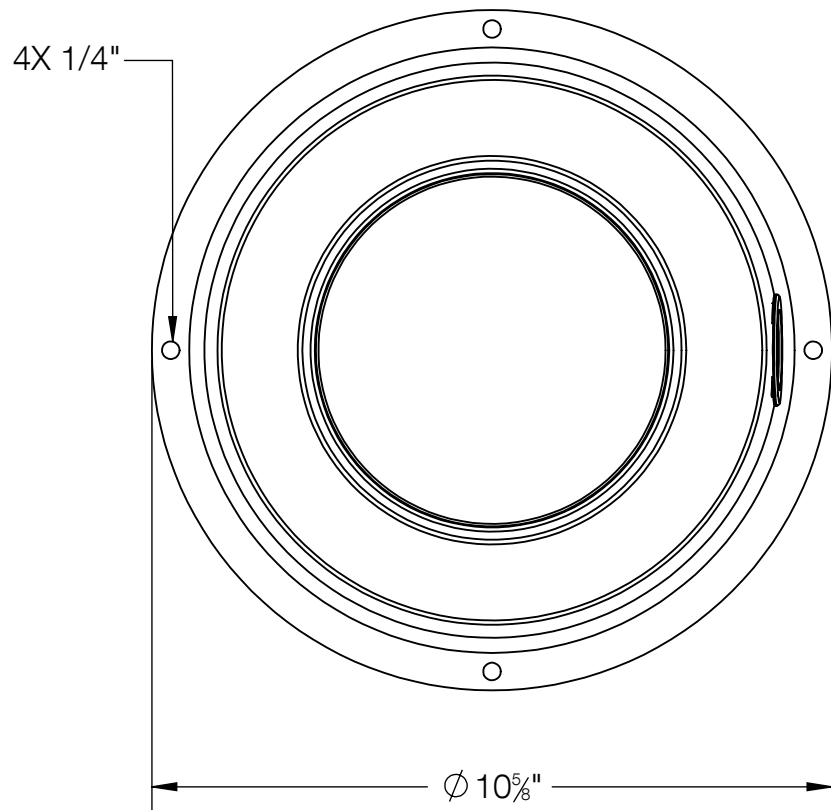
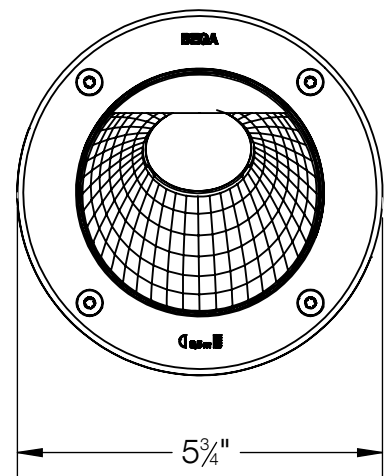


REV	CHANGED BY	DESCRIPTION	DATE



NOTES:

1. INSTALLATION HOUSING INCLUDED
2. MUST SUPPLY MINIMUM OF 6" OF ADEQUATE DRAINAGE
3. 360° ROTATABLE
4. INCLUDES KIT #76 - WATERPROOF CONNECTORS

<b>BEGA</b>								
1000 BEGA Way, Carpinteria, California 93013		P (805) 684-0533 - www.bega-us.com						
APPROVED: _____	DATE: _____	DESCRIPTION: IN-GRADE LUMINAIRE - WALL WASHER						
TYPE: _____								
PROPRIETARY AND CONFIDENTIAL THE INFORMATION CONTAINED IN THIS DRAWING IS THE SOLE PROPERTY OF BEGA NORTH AMERICA, INC. ANY REPRODUCTION IN PART OR AS A WHOLE WITHOUT THE WRITTEN PERMISSION OF BEGA NORTH AMERICA, INC. IS PROHIBITED.		<table border="1"> <tr> <td>SIZE</td> <td>PART NO.</td> <td>REV</td> </tr> <tr> <td>B</td> <td>84767</td> <td>-</td> </tr> </table>	SIZE	PART NO.	REV	B	84767	-
SIZE	PART NO.	REV						
B	84767	-						
NOT TO SCALE		4/13/2026 SHEET 1 OF 1						