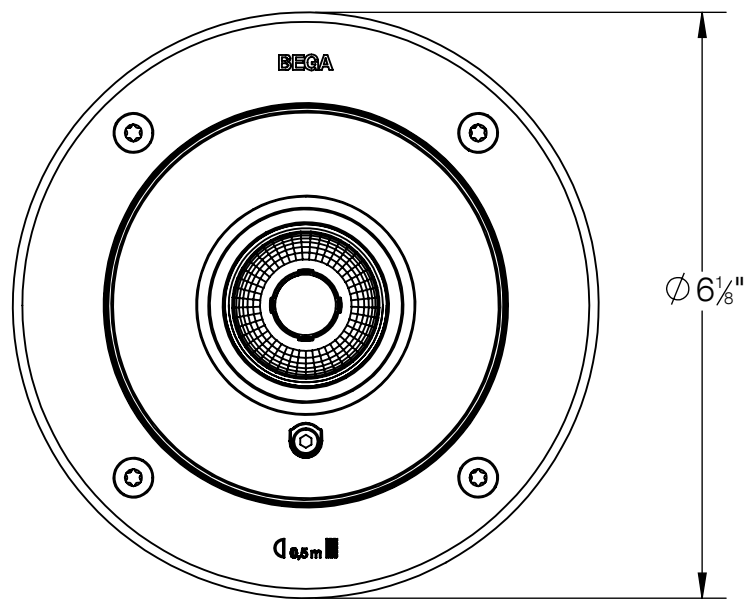
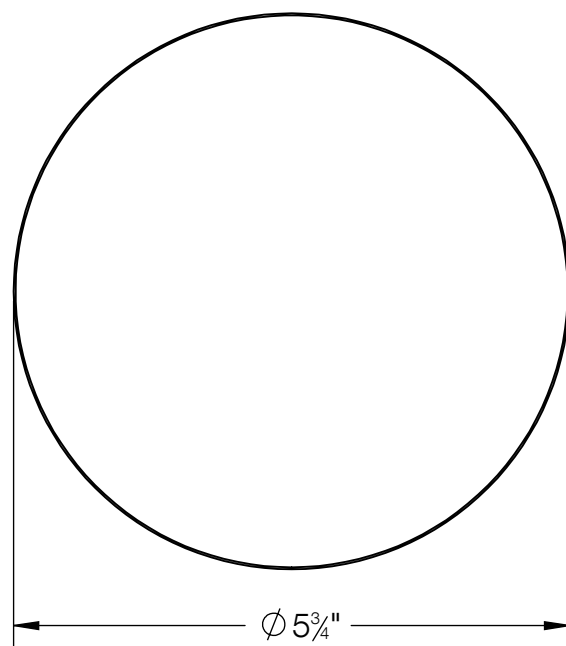


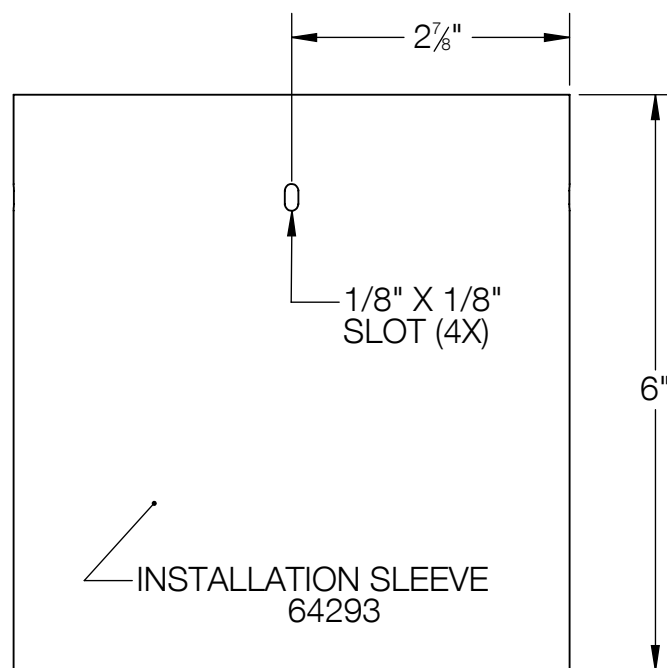
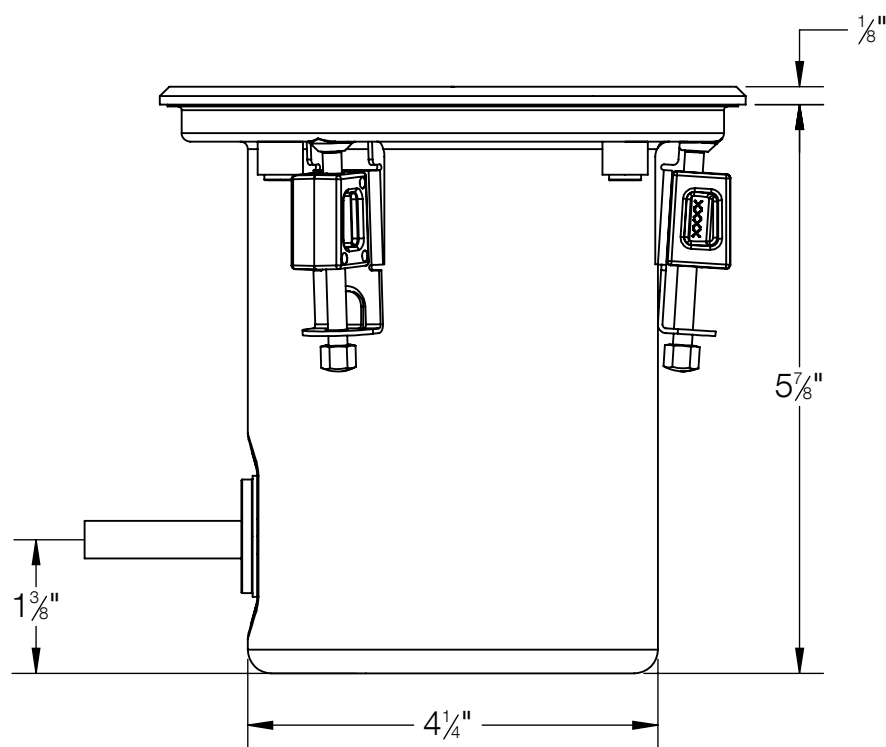
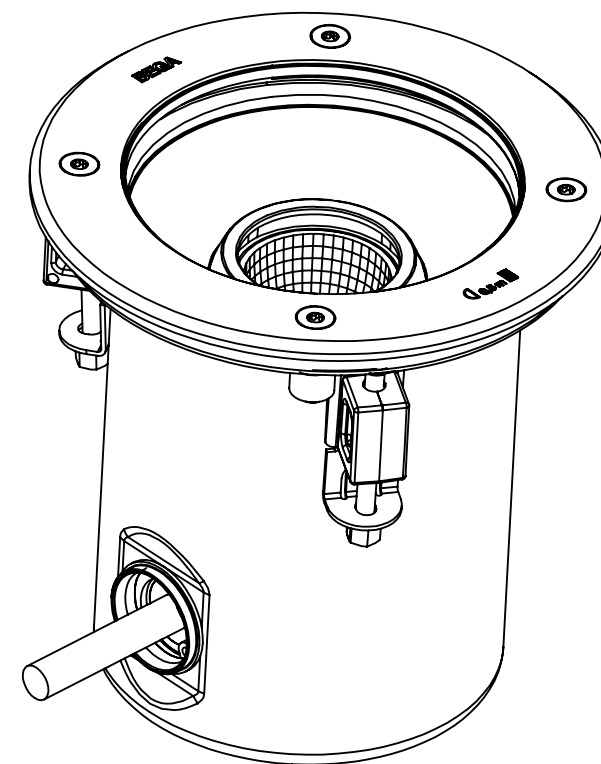
REV	CHANGED BY	DESCRIPTION	DATE



Ø 6 1/8"



Ø 5 3/4"



NOTE:

1. INSTALLATION SLEEVE INCLUDED
2. FIXING IS ACHIEVED BY USING THREE WEDGE SHAPED CLAMPING ELEMENTS
3. MUST SUPPLY MINIMUM 6" OF ADEQUATE DRAINAGE
4. ADJUSTABLE OPTICAL ASSEMBLY: 0-30° TILT AND 360° ROTATABLE
5. INCLUDES KIT #76 - WATERPROOF CONNECTORS

BEGA

1000 BEGA Way, Carpinteria, California 93013

P (805) 684-0533 - www.bega-us.com

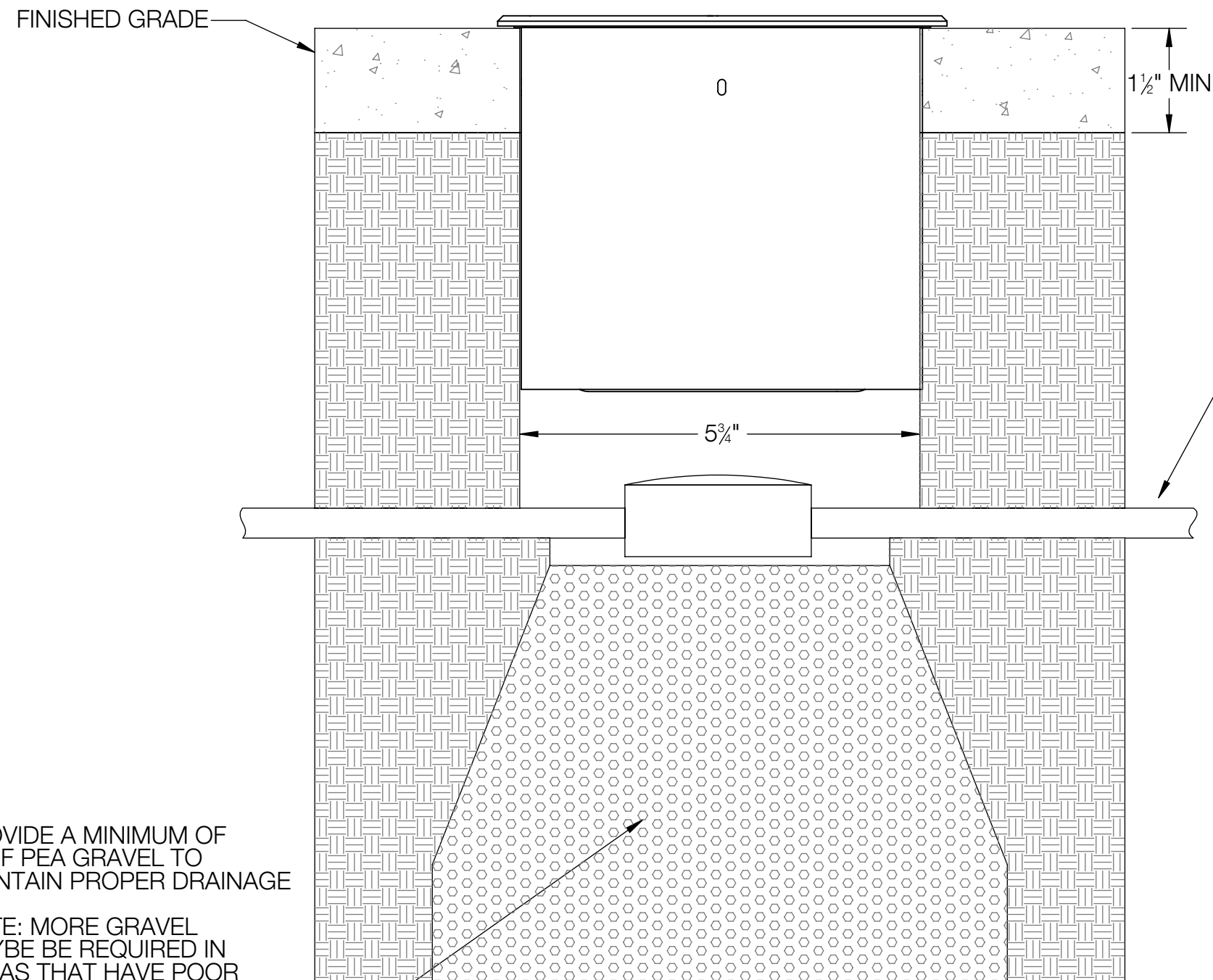
APPROVED: _____ DATE: _____
TYPE: _____

DESCRIPTION: IN-GRADE LUMINAIRE
- ADJUSTABLE - VERY WIDE BEAM

PROPRIETARY AND CONFIDENTIAL
THE INFORMATION CONTAINED IN THIS DRAWING IS THE SOLE PROPERTY OF BEGA NORTH AMERICA, INC.
ANY REPRODUCTION IN PART OR AS A WHOLE WITHOUT THE WRITTEN PERMISSION OF BEGA NORTH AMERICA, INC. IS PROHIBITED.

SIZE	PART NO.	REV
B	84784	-
NOT TO SCALE	5/14/2026	SHEET 1 OF 2

REV	CHANGED BY	DESCRIPTION	DATE



WATERPROOF J-BOX
(BY OTHERS)
MINIMUM 4"
RECOMMENDED BELOW
FIXTURE FOR CABLE AND
JUNCTION BOX

PROVIDE A MINIMUM OF
6" OF PEA GRAVEL TO
MAINTAIN PROPER DRAINAGE

NOTE: MORE GRAVEL
MAYBE BE REQUIRED IN
AREAS THAT HAVE POOR
SOIL DRAINAGE AND/OR
ARE SUBJECT TO
FREEZING

NOTES:

1. INSTALLATION HOUSING/SLEEVE INCLUDED
2. REQUIRED RECESSED OPENING Ø 5-3/4"
3. THE UPPER EDGE OF THE RECESS OPENING MUST BE FIRM ON A THICKNESS OF 1 1/2" MIN IN ORDER TO ACCEPT THE CLAMPING FORCES OF THE LUMINAIRE.

BEGA

1000 BEGA Way, Carpinteria, California 93013

P (805) 684-0533 - www.bega-us.com

APPROVED: _____ DATE: _____
TYPE: _____

DESCRIPTION:
IN-GRADE LUMINAIRE - ADJUSTABLE
- VERY WIDE BEAM

PROPRIETARY AND CONFIDENTIAL
THE INFORMATION CONTAINED IN THIS DRAWING IS THE SOLE PROPERTY
OF BEGA NORTH AMERICA, INC.
ANY REPRODUCTION IN PART OR AS A WHOLE WITHOUT THE WRITTEN
PERMISSION OF BEGA NORTH AMERICA, INC. IS PROHIBITED.

SIZE	PART NO.	REV
B	84784	-
NOT TO SCALE	5/14/2026	SHEET 2 OF 2