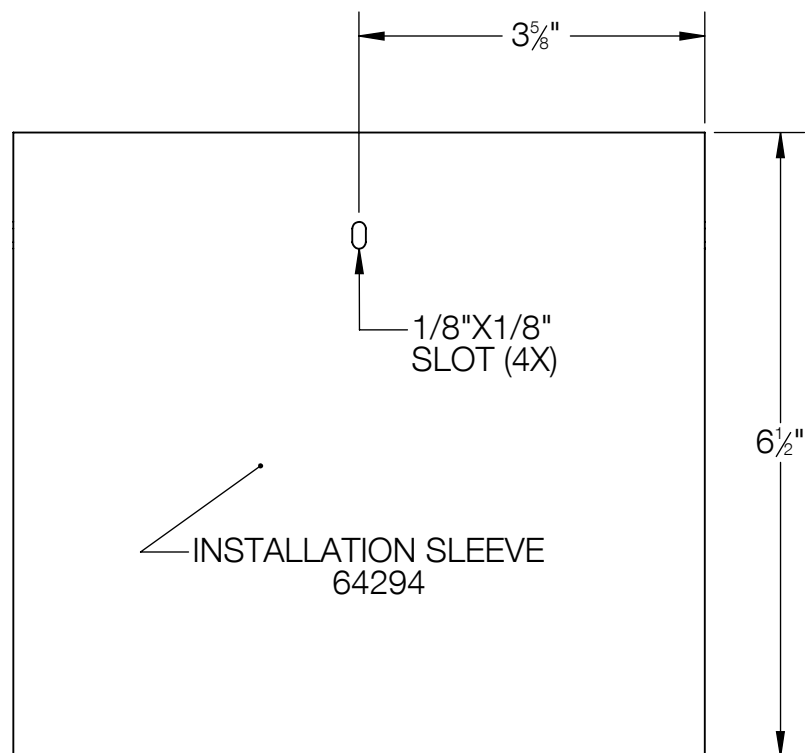
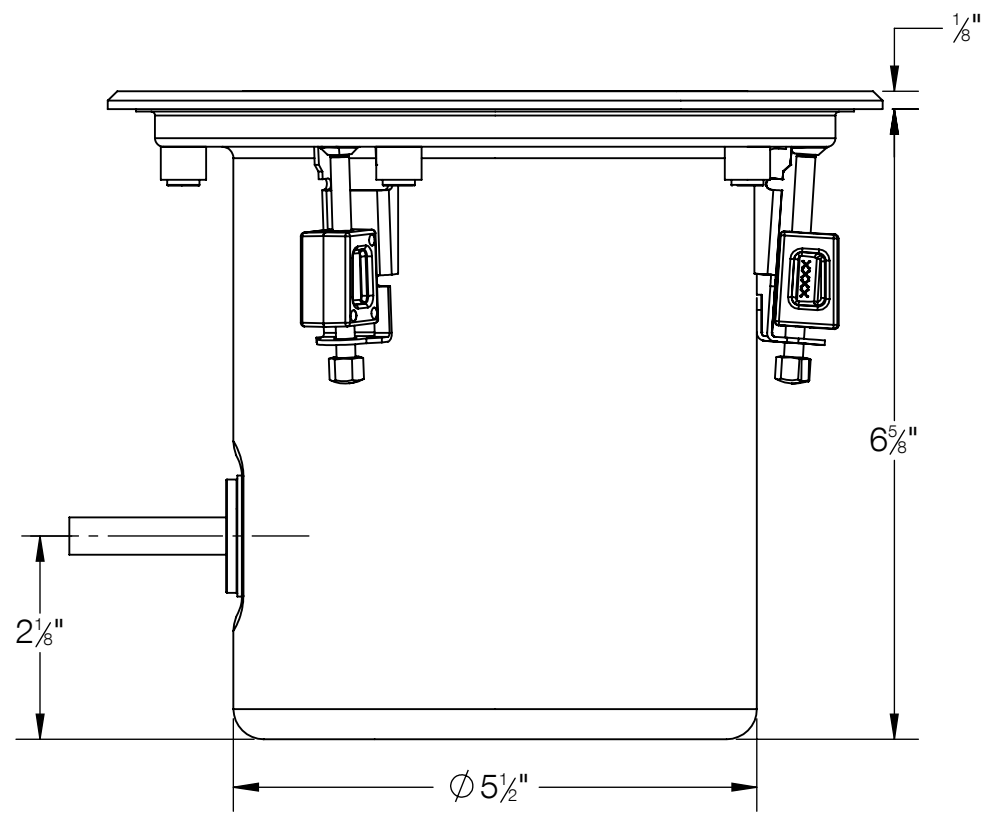
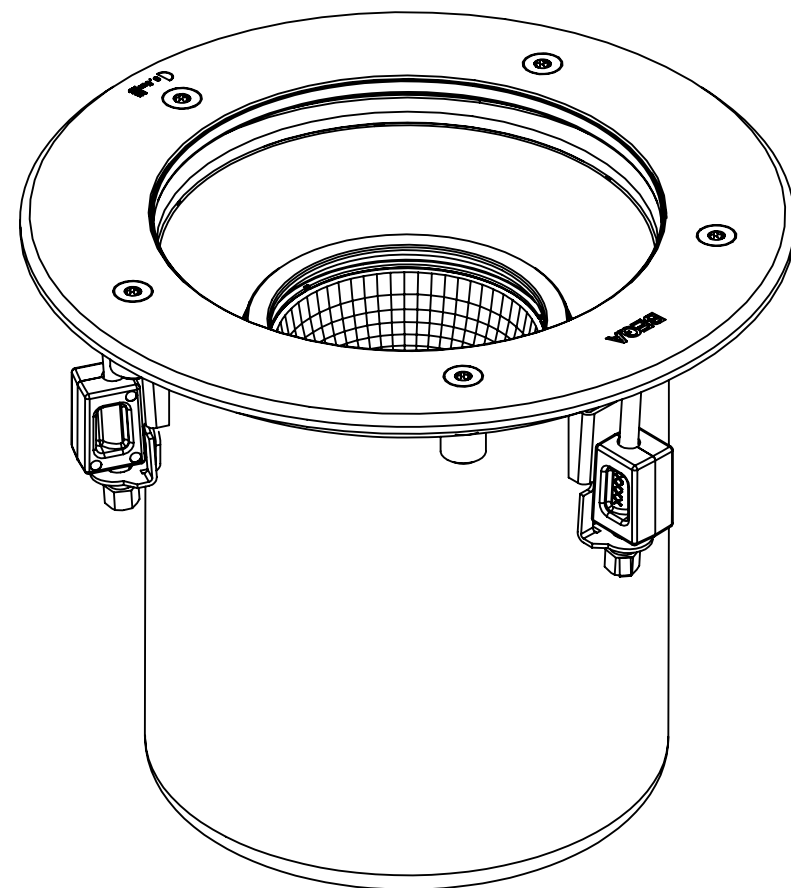
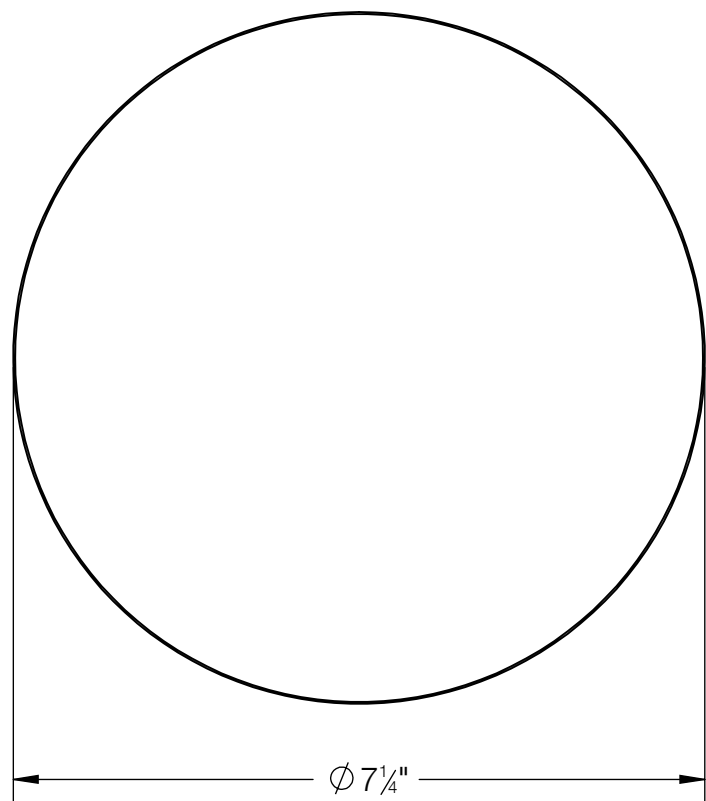
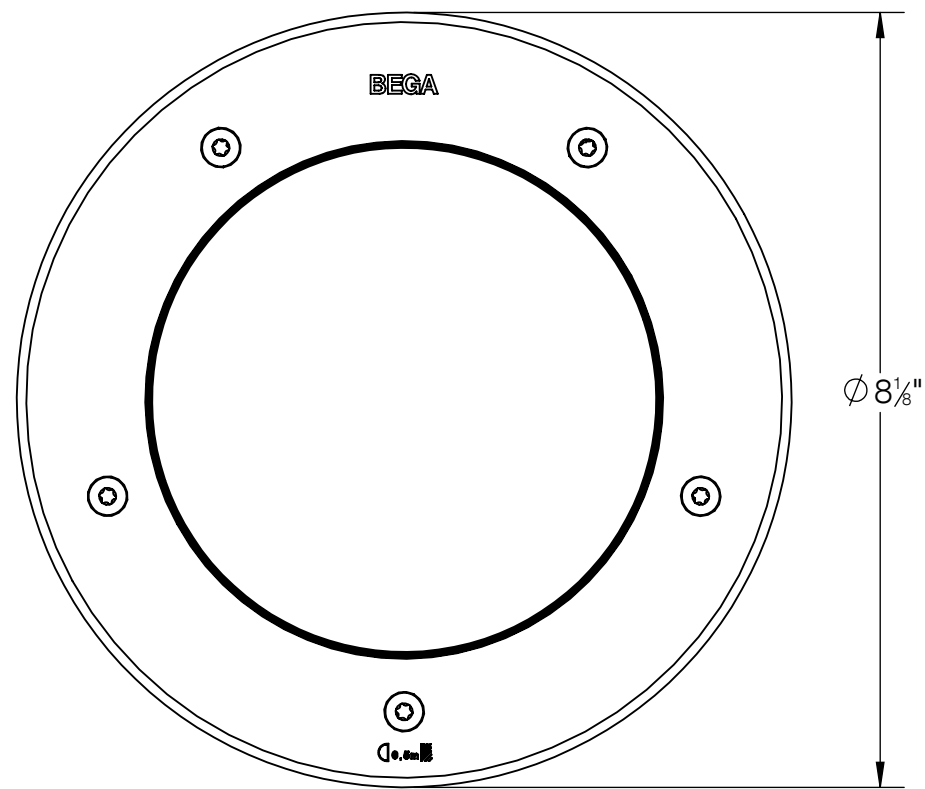


REV	CHANGED BY	DESCRIPTION	DATE



**NOTE:**

1. INSTALLATION SLEEVE INCLUDED
2. FIXING IS ACHIEVED BY USING THREE WEDGE SHAPED CLAMPING ELEMENTS
3. MUST SUPPLYING MINIMUM OF 6" OF ADEQUATE DRAINAGE
4. ADJUSTABLE OPTICAL ASSEMBLY: 0-30° TILT AND 360° ROTATABLE
5. INCLUDES KIT #76 - WATERPROOF CONNECTORS

**BEGA**

1000 BEGA Way, Carpinteria, California 93013

P (805) 684-0533 - www.bega-us.com

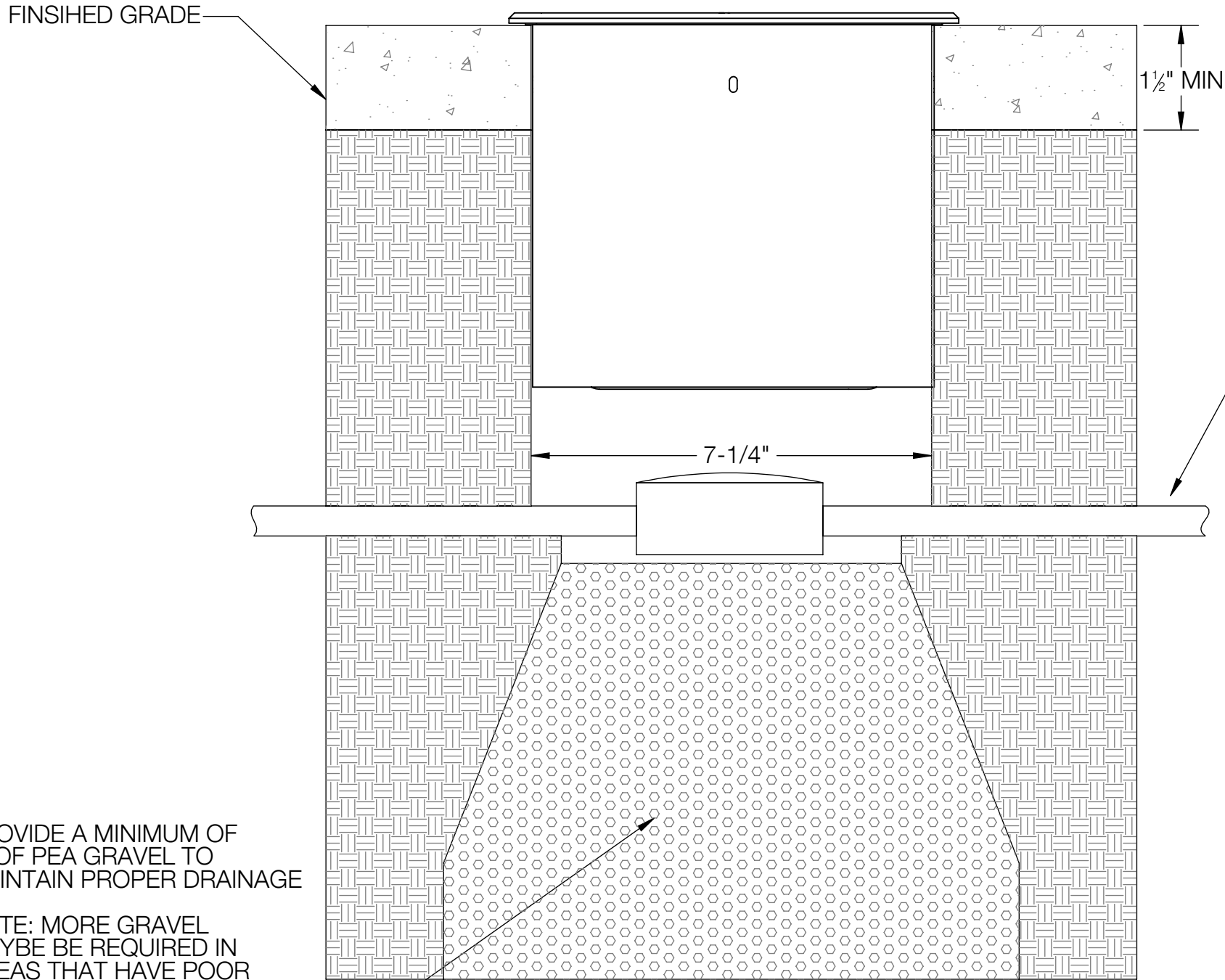
APPROVED: \_\_\_\_\_ DATE: \_\_\_\_\_  
TYPE: \_\_\_\_\_

DESCRIPTION:  
IN-GRADE LUMINAIRE - ADJUSTABLE  
- FOCUSED BEAM

PROPRIETARY AND CONFIDENTIAL  
THE INFORMATION CONTAINED IN THIS DRAWING IS THE SOLE PROPERTY  
OF BEGA NORTH AMERICA, INC.  
ANY REPRODUCTION IN PART OR AS A WHOLE WITHOUT THE WRITTEN  
PERMISSION OF BEGA NORTH AMERICA, INC. IS PROHIBITED.

SIZE	PART NO.	REV
B	84785	-
NOT TO SCALE	4/23/2026	SHEET 1 OF 2

REV	CHANGED BY	DESCRIPTION	DATE



WATERPROOF J-BOX  
(BY OTHERS)  
MINIMUM 4"  
RECOMMENDED BELOW  
FIXTURE FOR CABLE AND  
JUNCTION BOX

PROVIDE A MINIMUM OF  
6" OF PEA GRAVEL TO  
MAINTAIN PROPER DRAINAGE

NOTE: MORE GRAVEL  
MAYBE BE REQUIRED IN  
AREAS THAT HAVE POOR  
SOIL DRAINAGE AND/OR  
ARE SUBJECT TO  
FREEZING

- NOTES:
1. INSTALLATION HOUSING/SLEEVE INCLUDED
  2. REQUIRED RECESSED OPENING  $\varnothing$  7 1/4"
  3. THE UPPER EDGE OF THE RECESS OPENING MUST BE FIRM ON A THICKNESS OF 1 1/2" MIN IN ORDER TO ACCEPT THE CLAMPING FORCES OF THE LUMINAIRE.

<b>BEGA</b>			
1000 BEGA Way, Carpinteria, California 93013		P (805) 684-0533 - www.bega-us.com	
APPROVED: _____	DATE: _____	DESCRIPTION: IN-GRADE LUMINAIRE - ADJUSTABLE - FOCUSED BEAM	
TYPE: _____		SIZE <b>B</b>	PART NO. <b>84785</b>
PROPRIETARY AND CONFIDENTIAL THE INFORMATION CONTAINED IN THIS DRAWING IS THE SOLE PROPERTY OF BEGA NORTH AMERICA, INC. ANY REPRODUCTION IN PART OR AS A WHOLE WITHOUT THE WRITTEN PERMISSION OF BEGA NORTH AMERICA, INC. IS PROHIBITED.		REV -	NOT TO SCALE
		4/23/2026	SHEET 2 OF 2