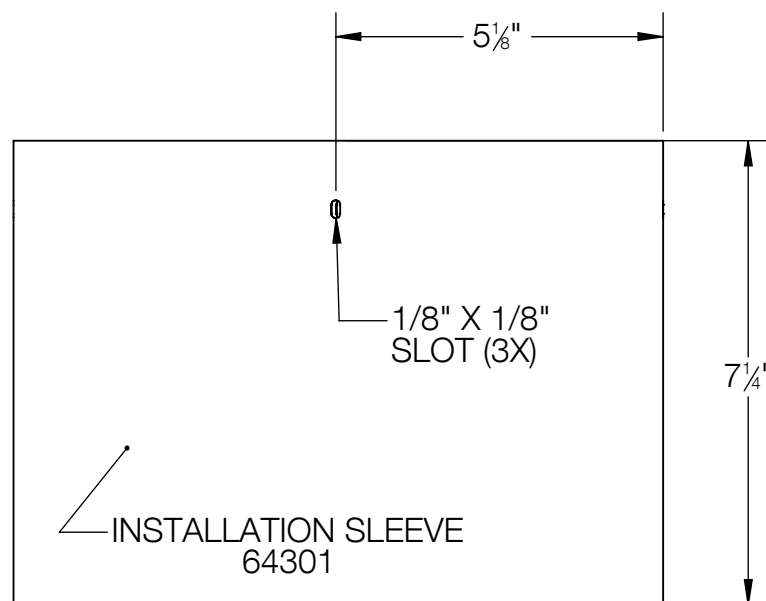
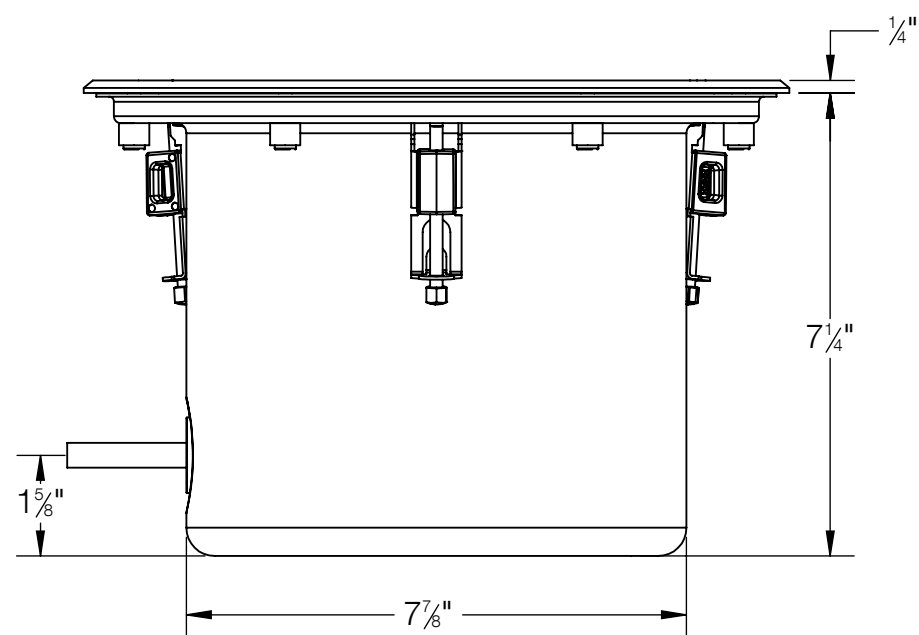
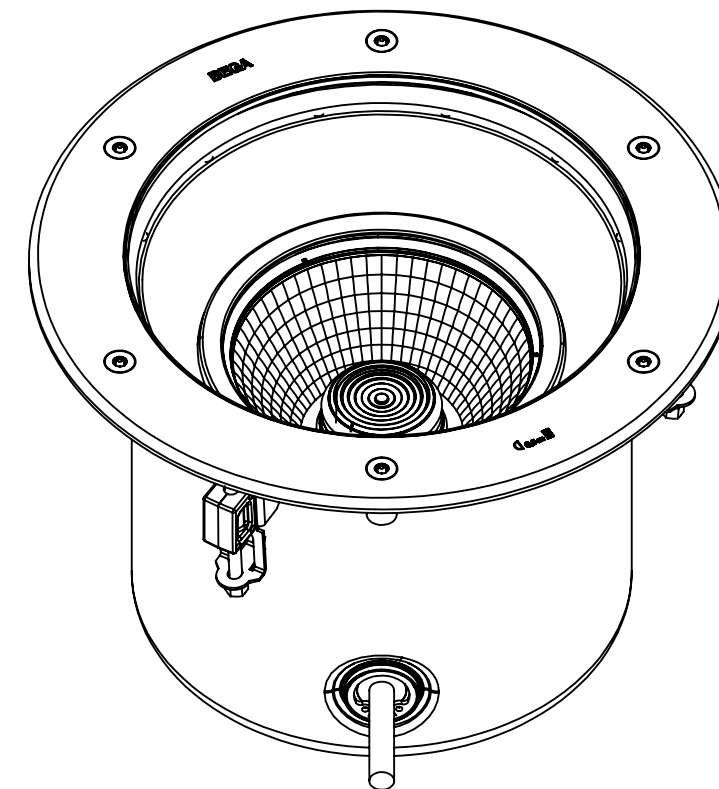
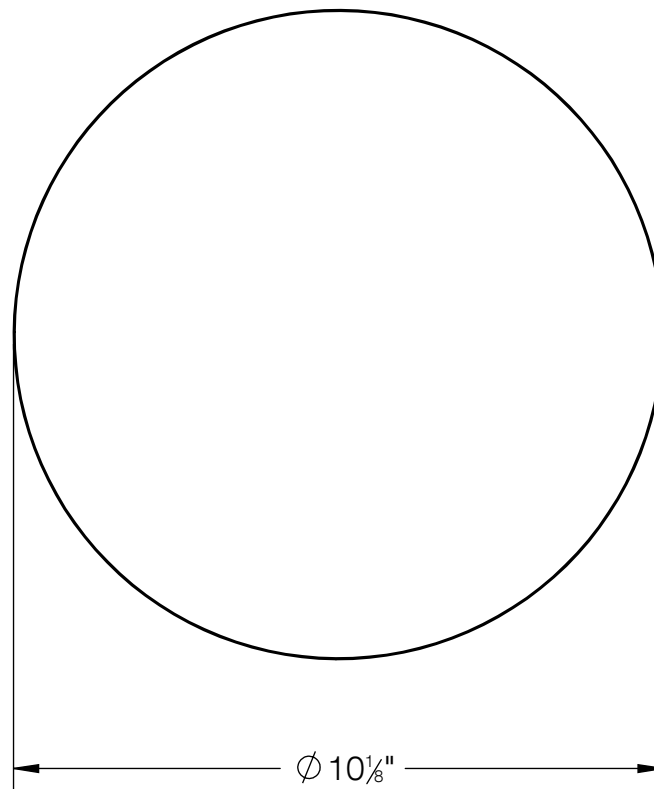
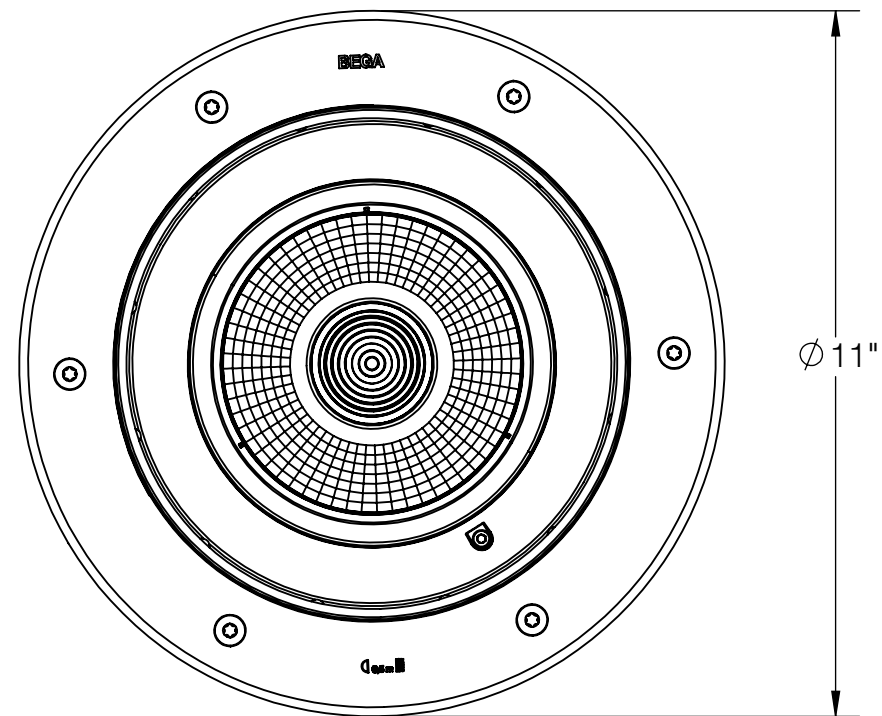


REV	CHANGED BY	DESCRIPTION	DATE



**NOTE:**

1. INSTALLATION SLEEVE INCLUDED
2. FIXING IS ACHIEVED BY USING THREE WEDGE SHAPED CLAMPING ELEMENTS
3. MUST SUPPLY MINIMUM 6" OF ADEQUATE DRAINAGE
4. ADJUSTABLE OPTICAL ASSEMBLY: 0-30° TILT AND 360° ROTATABLE
5. INCLUDES KIT #76 - WATERPROOF CONNECTORS

**BEGA**

1000 BEGA Way, Carpinteria, California 93013

P (805) 684-0533 - www.bega-us.com

APPROVED: \_\_\_\_\_ DATE: \_\_\_\_\_

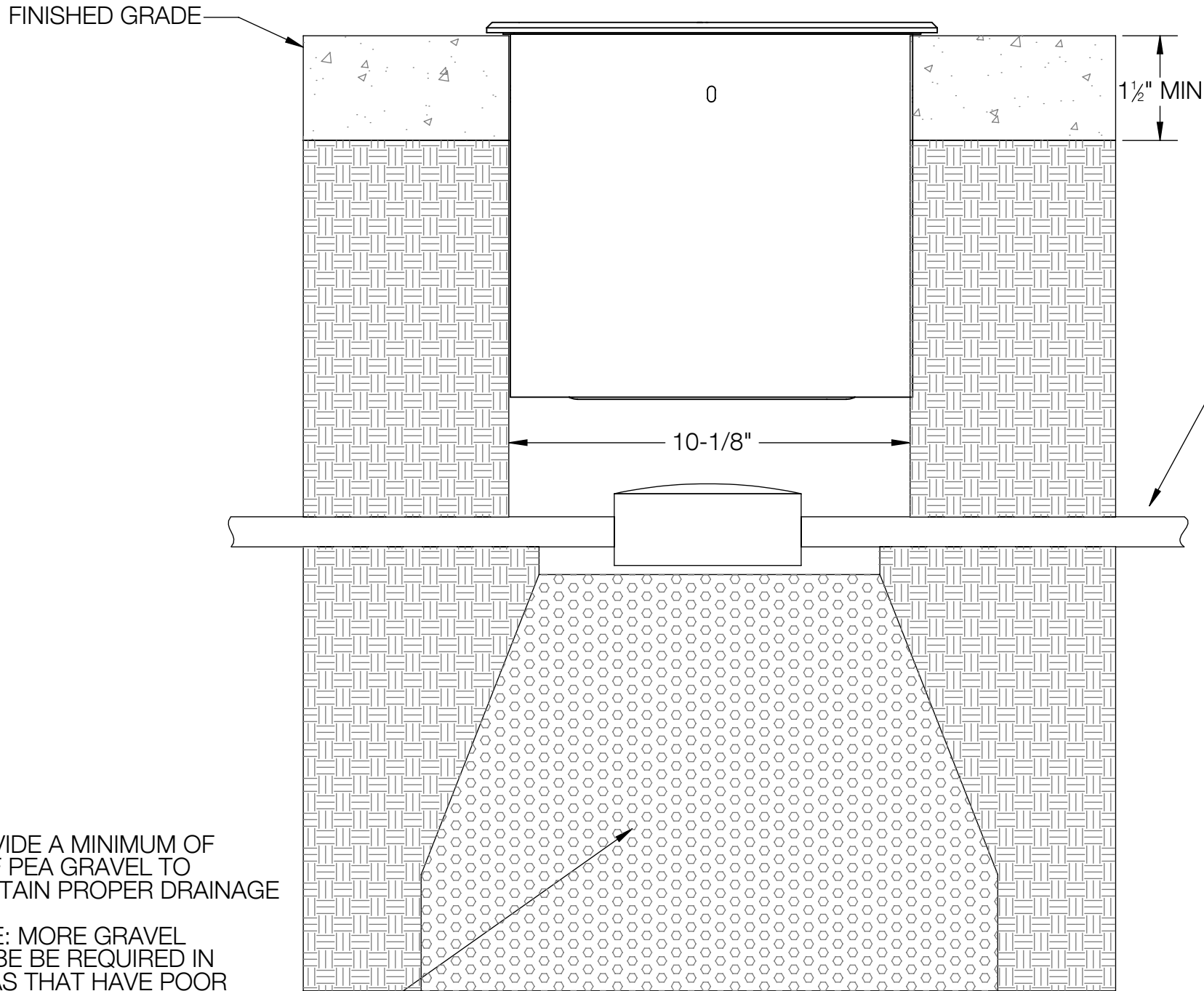
DESCRIPTION: IN-GRADE LUMINAIRE - ADJUSTABLE - WIDE BEAM

TYPE: \_\_\_\_\_

PROPRIETARY AND CONFIDENTIAL  
THE INFORMATION CONTAINED IN THIS DRAWING IS THE SOLE PROPERTY OF BEGA NORTH AMERICA, INC. ANY REPRODUCTION IN PART OR AS A WHOLE WITHOUT THE WRITTEN PERMISSION OF BEGA NORTH AMERICA, INC. IS PROHIBITED.

SIZE	PART NO.	REV
B	84789	-
NOT TO SCALE	5/14/2026	SHEET 1 OF 2

REV	CHANGED BY	DESCRIPTION	DATE



NOTES:

1. INSTALLATION HOUSING/SLEEVE INCLUDED
2. REQUIRED RECESSED OPENING Ø 10-1/8"
3. THE UPPER EDGE OF THE RECESS OPENING MUST BE FIRM ON A THICKNESS OF 1 1/2" MIN IN ORDER TO ACCEPT THE CLAMPING FORCES OF THE LUMINAIRE.

<b>BEGA</b>			
1000 BEGA Way, Carpinteria, California 93013		P (805) 684-0533 - www.bega-us.com	
APPROVED: _____	DATE: _____	DESCRIPTION: IN-GRADE LUMINAIRE - ADJUSTABLE - WIDE BEAM	
TYPE: _____		SIZE <b>B</b>	PART NO. <b>84789</b>
PROPRIETARY AND CONFIDENTIAL THE INFORMATION CONTAINED IN THIS DRAWING IS THE SOLE PROPERTY OF BEGA NORTH AMERICA, INC. ANY REPRODUCTION IN PART OR AS A WHOLE WITHOUT THE WRITTEN PERMISSION OF BEGA NORTH AMERICA, INC. IS PROHIBITED.		REV -	NOT TO SCALE
		5/14/2026	SHEET 2 OF 2