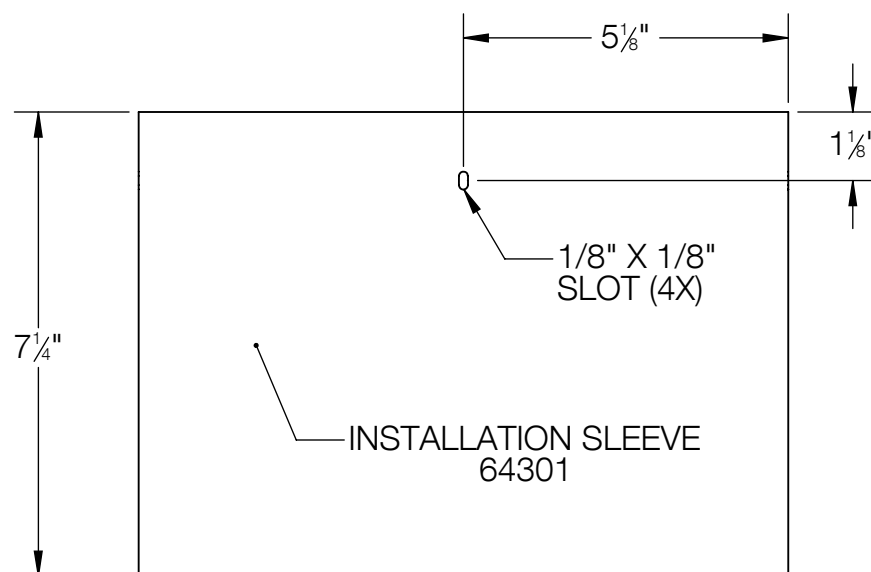
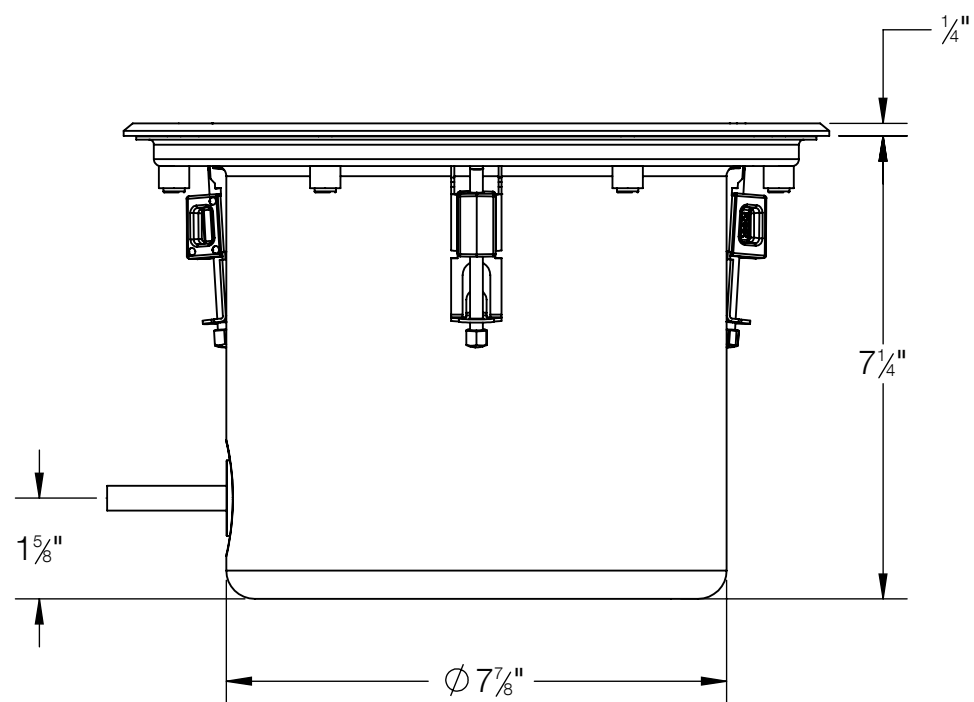
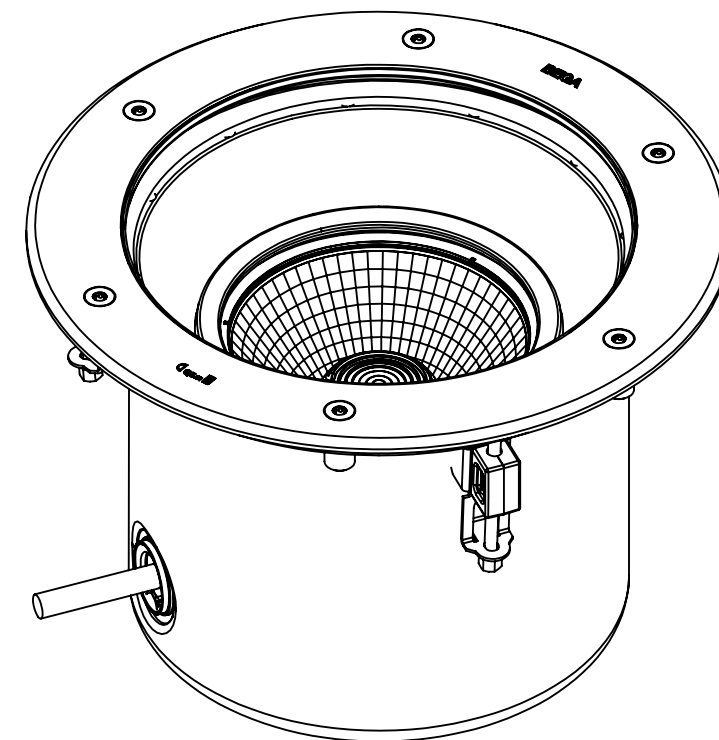
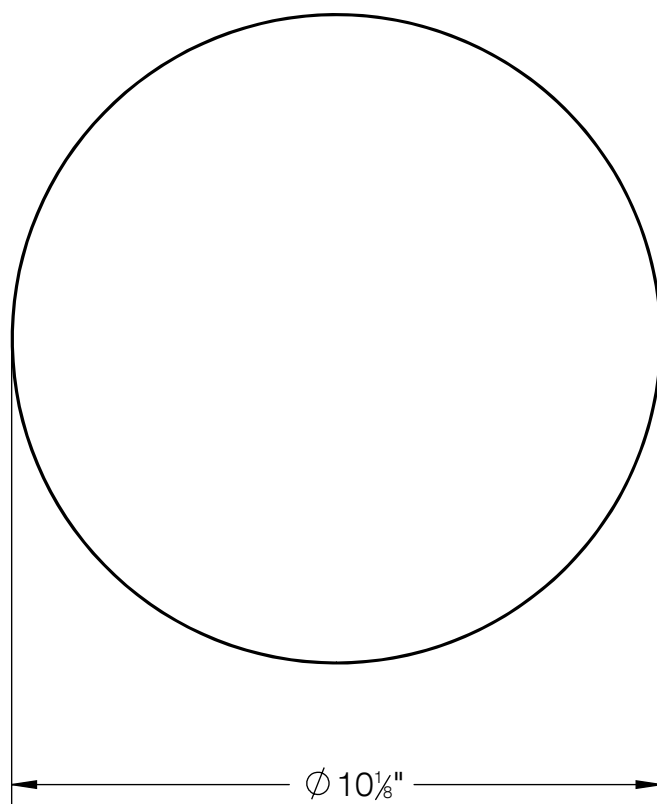
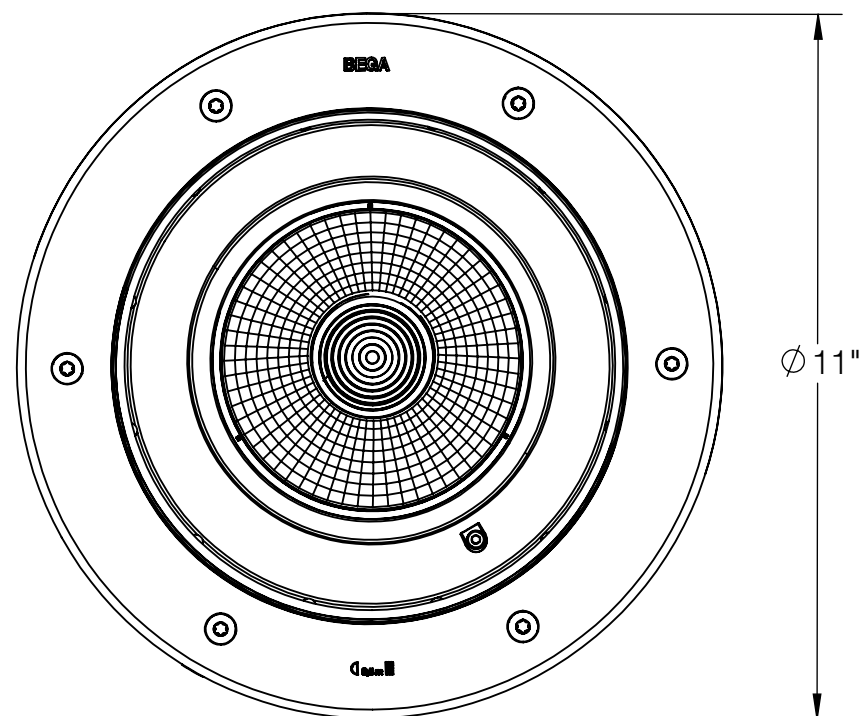


REV	CHANGED BY	DESCRIPTION	DATE



NOTES:

1. INSTALLATION SLEEVE INCLUDED
2. FIXING IS ACHIEVED BY USING THREE WEDGE SHAPED CLAMPING ELEMENTS
3. MUST SUPPLY MINIMUM OF 6" OF ADEQUATE DRAINAGE
4. ADJUSTABLE OPTICAL ASSEMBLY: 0-30° TILT AND 360° ROTATABLE
5. INCLUDES KIT #76 - WATERPROOF CONNECTORS

**BEGA**

1000 BEGA Way, Carpinteria, California 93013

P (805) 684-0533 - www.bega-us.com

APPROVED: \_\_\_\_\_ DATE: \_\_\_\_\_  
TYPE: \_\_\_\_\_

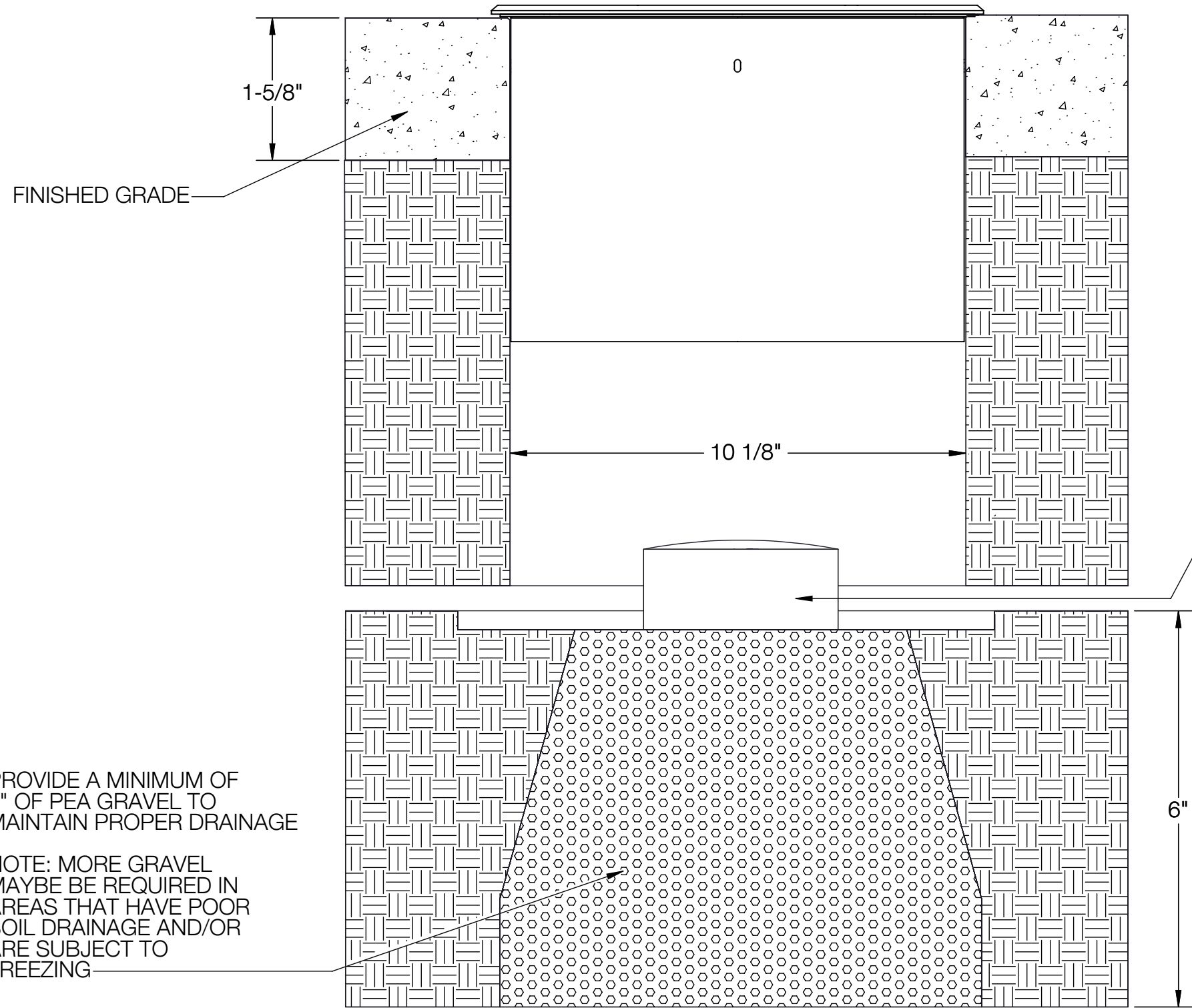
DESCRIPTION:  
IN-GRADE LUMINAIRE - ADJUSTABLE -  
VERY WIDE BEAM

PROPRIETARY AND CONFIDENTIAL  
THE INFORMATION CONTAINED IN THIS DRAWING IS THE SOLE PROPERTY  
OF BEGA NORTH AMERICA, INC.  
ANY REPRODUCTION IN PART OR AS A WHOLE WITHOUT THE WRITTEN  
PERMISSION OF BEGA NORTH AMERICA, INC. IS PROHIBITED.

SIZE	PART NO.	REV
B	84790	-

NOT TO SCALE	4/10/2026	SHEET 1 OF 2
--------------	-----------	--------------

REV	CHANGED BY	DESCRIPTION	DATE



WATERPROOF J-BOX  
(BY OTHERS)  
MINIMUM 4"  
RECOMMENDED BELOW  
FIXTURE FOR CABLE AND  
JUNCTION BOX

NOTES:

1. INSTALLATION HOUSING/SLEEVE INCLUDED
2. REQUIRED RECESSED OPENING Ø 10 1/8"
3. MUST SUPPLY MINIMUM OF 6" OF ADEQUATE DRAINAGE
4. THE UPPER EDGE OF THE RECESS OPENING MUST BE FIRM ON A THICKNESS OF 1 5/8" IN ORDER TO ACCEPT THE CLAMPING FORCES OF THE LUMINAIRE.

PROVIDE A MINIMUM OF  
6" OF PEA GRAVEL TO  
MAINTAIN PROPER DRAINAGE

NOTE: MORE GRAVEL  
MAYBE BE REQUIRED IN  
AREAS THAT HAVE POOR  
SOIL DRAINAGE AND/OR  
ARE SUBJECT TO  
FREEZING

<b>BEGA</b>		1000 BEGA Way, Carpinteria, California 93013		P (805) 684-0533 - www.bega-us.com	
APPROVED: _____ DATE: _____		DESCRIPTION: IN-GRADE LUMINAIRE - ADJUSTABLE - VERY WIDE BEAM		TYPE: _____	
PROPRIETARY AND CONFIDENTIAL THE INFORMATION CONTAINED IN THIS DRAWING IS THE SOLE PROPERTY OF BEGA NORTH AMERICA, INC. ANY REPRODUCTION IN PART OR AS A WHOLE WITHOUT THE WRITTEN PERMISSION OF BEGA NORTH AMERICA, INC. IS PROHIBITED.		SIZE <b>B</b>	PART NO. <b>84790</b>	REV -	
NOT TO SCALE		4/10/2026	SHEET 2 OF 2		