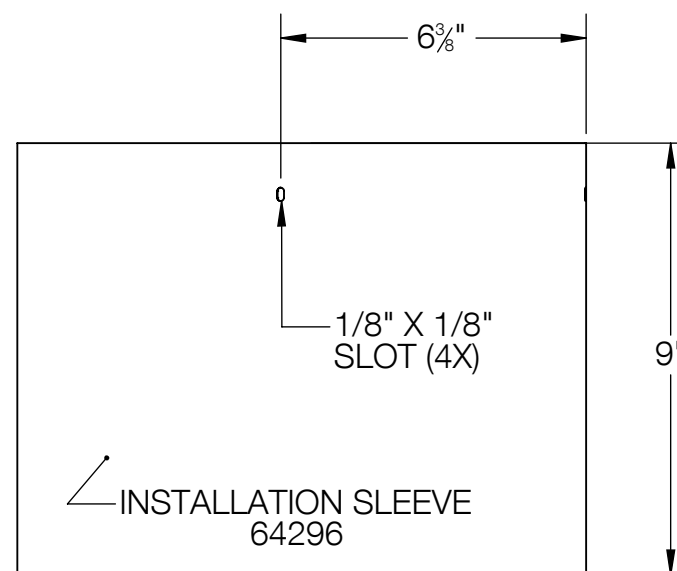
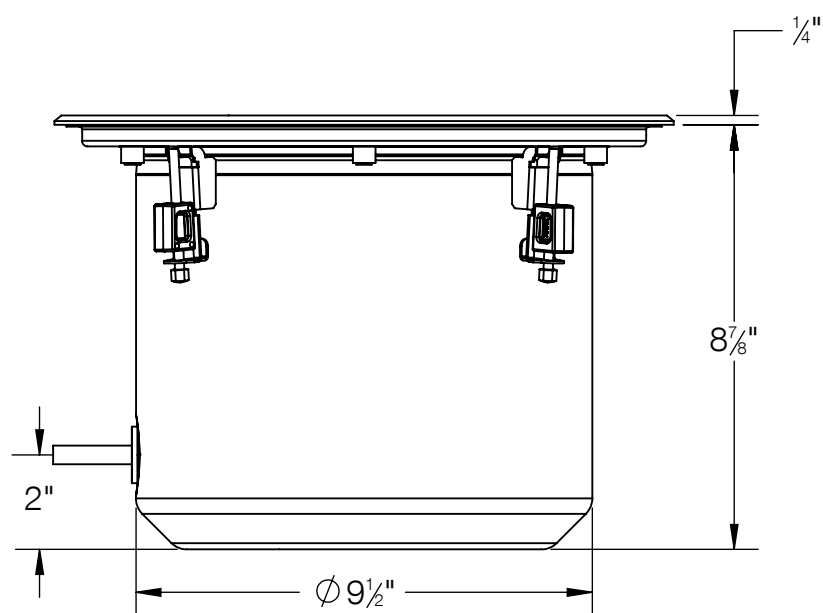
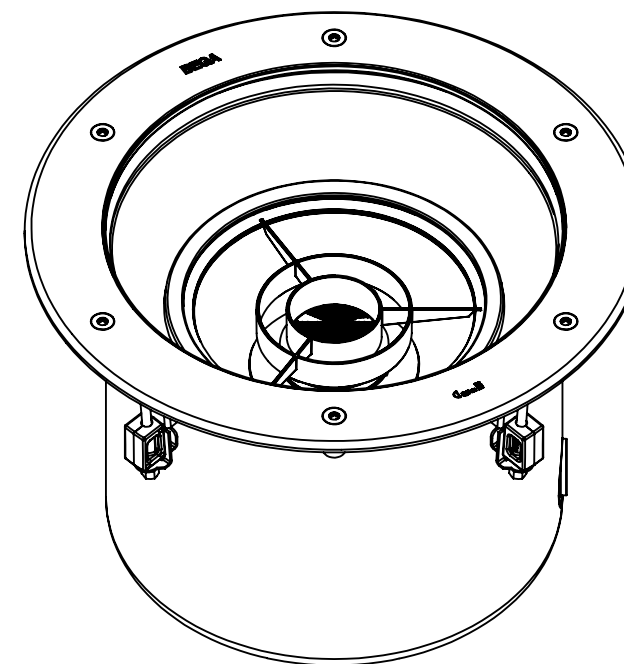
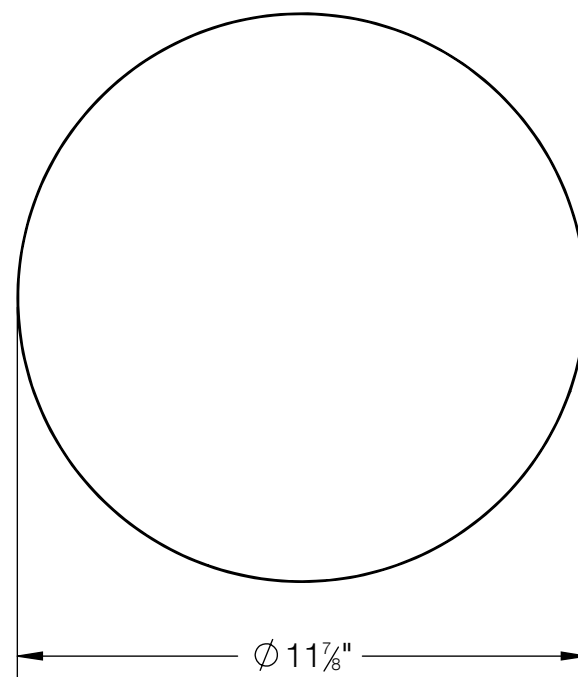
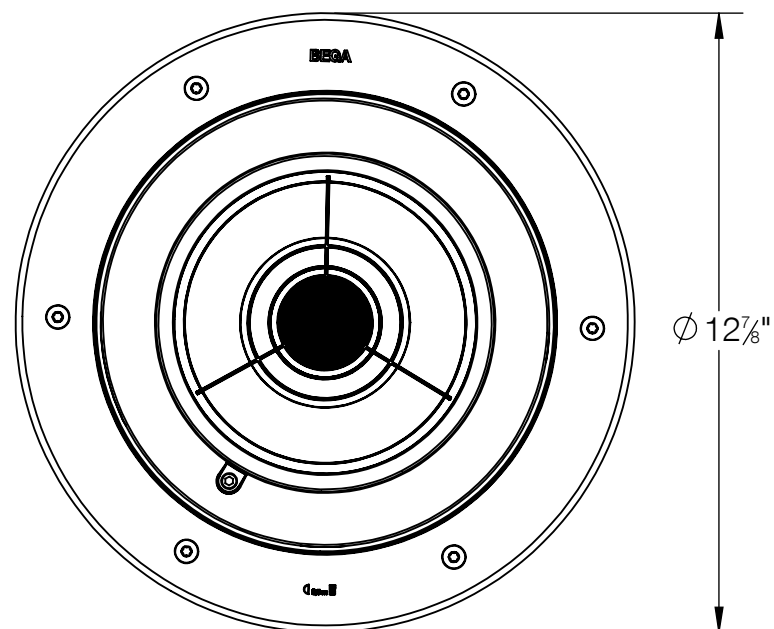


REV	CHANGED BY	DESCRIPTION	DATE



- NOTE:
1. INSTALLATION SLEEVE INCLUDED
  2. FIXING IS ACHIEVED BY USING FOUR WEDGE SHAPED CLAMPING ELEMENTS
  3. MUST SUPPLY MINIMUM 6" OF ADEQUATE DRAINAGE
  4. ADJUSTABLE OPTICAL ASSEMBLY: 0-30° TILT AND 360° ROTATABLE
  5. INCLUDES KIT #76 - WATERPROOF CONNECTORS

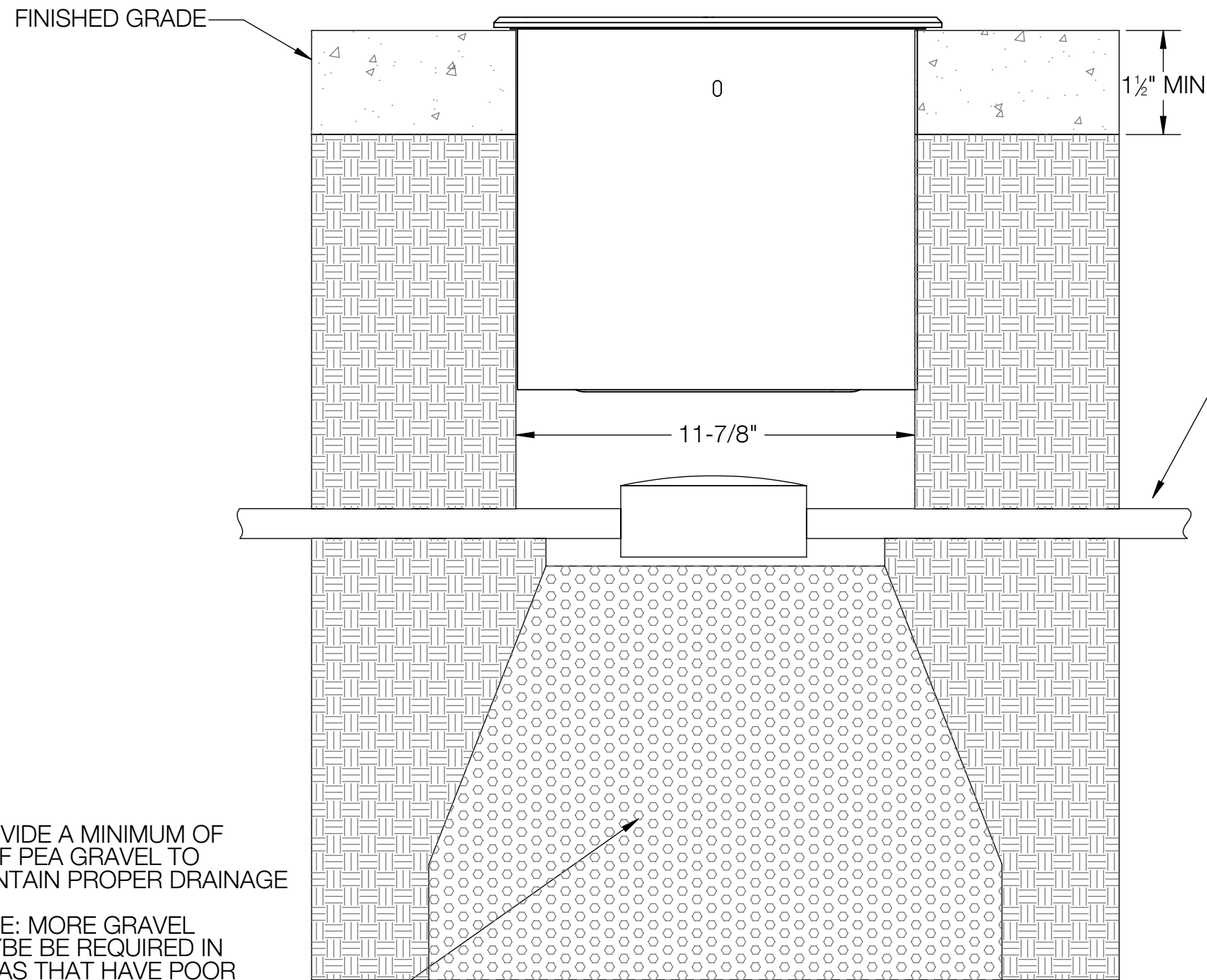
**BEGA**

1000 BEGA Way, Carpinteria, California 93013 P (805) 684-0533 - www.bega-us.com

APPROVED: \_\_\_\_\_ DATE: \_\_\_\_\_ DESCRIPTION: IN-GRADE LUMINAIRE - ADJUSTABLE  
TYPE: \_\_\_\_\_ - FOCUSED BEAM

PROPRIETARY AND CONFIDENTIAL THE INFORMATION CONTAINED IN THIS DRAWING IS THE SOLE PROPERTY OF BEGA NORTH AMERICA, INC. ANY REPRODUCTION IN PART OR AS A WHOLE WITHOUT THE WRITTEN PERMISSION OF BEGA NORTH AMERICA, INC. IS PROHIBITED.	SIZE	PART NO.	REV
	B	84791	-
NOT TO SCALE		4/23/2026	SHEET 1 OF 2

REV	CHANGED BY	DESCRIPTION	DATE



WATERPROOF J-BOX  
(BY OTHERS)  
MINIMUM 4"  
RECOMMENDED BELOW  
FIXTURE FOR CABLE AND  
JUNCTION BOX

PROVIDE A MINIMUM OF  
6" OF PEA GRAVEL TO  
MAINTAIN PROPER DRAINAGE

NOTE: MORE GRAVEL  
MAYBE BE REQUIRED IN  
AREAS THAT HAVE POOR  
SOIL DRAINAGE AND/OR  
ARE SUBJECT TO  
FREEZING

NOTES:

1. INSTALLATION HOUSING/SLEEVE INCLUDED
2. REQUIRED RECESSED OPENING  $\varnothing$  11-7/8"
3. THE UPPER EDGE OF THE RECESS OPENING MUST BE FIRM ON A THICKNESS OF 1 1/2" MIN IN ORDER TO ACCEPT THE CLAMPING FORCES OF THE LUMINAIRE.

<b>BEGA</b>		
1000 BEGA Way, Carpinteria, California 93013		P (805) 684-0533 - www.bega-us.com
APPROVED: _____	DATE: _____	DESCRIPTION: IN-GRADE LUMINAIRE - ADJUSTABLE - FOCUSED BEAM
TYPE: _____		
PROPRIETARY AND CONFIDENTIAL THE INFORMATION CONTAINED IN THIS DRAWING IS THE SOLE PROPERTY OF BEGA NORTH AMERICA, INC. ANY REPRODUCTION IN PART OR AS A WHOLE WITHOUT THE WRITTEN PERMISSION OF BEGA NORTH AMERICA, INC. IS PROHIBITED.	SIZE <b>B</b>	PART NO. <b>84791</b>
		REV -
NOT TO SCALE	4/23/2026	SHEET 2 OF 2