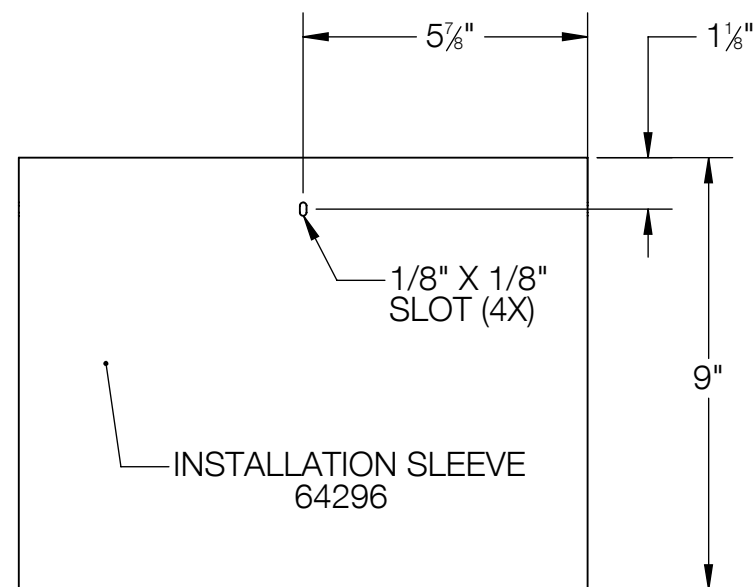
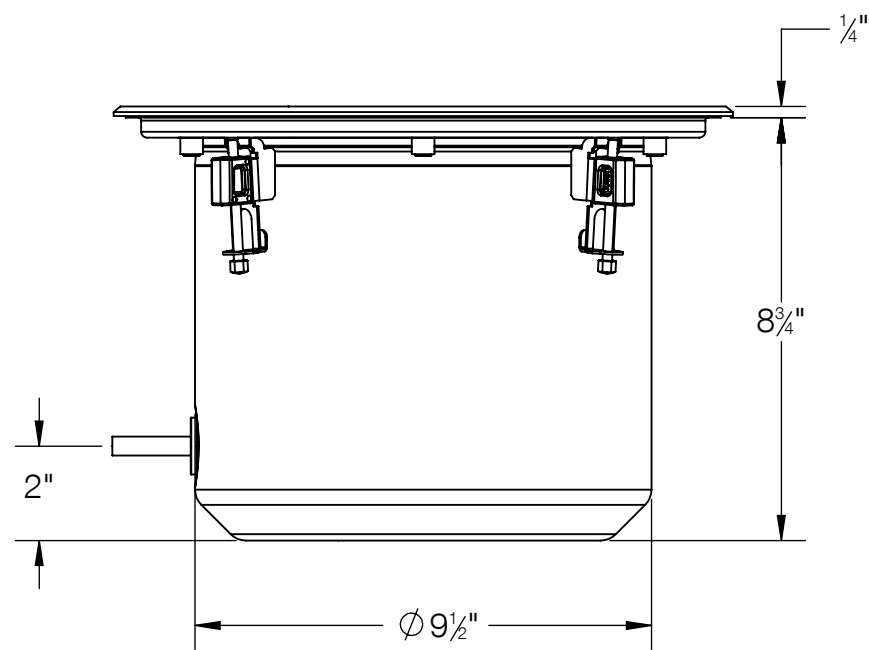
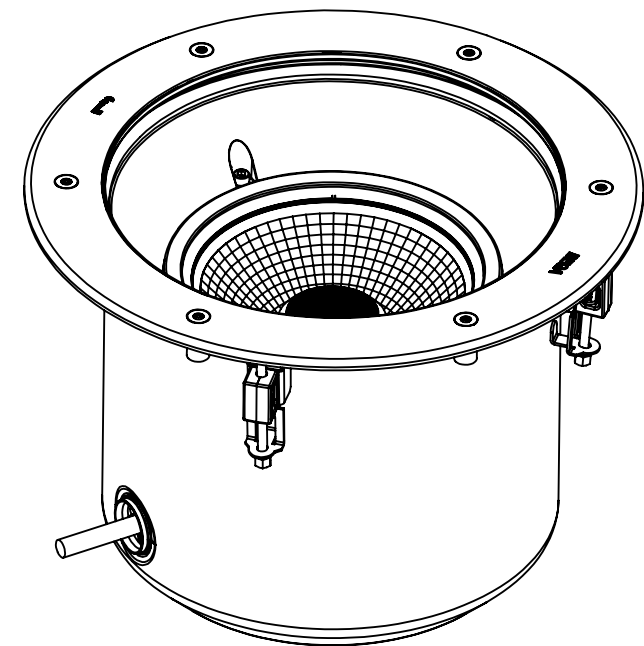
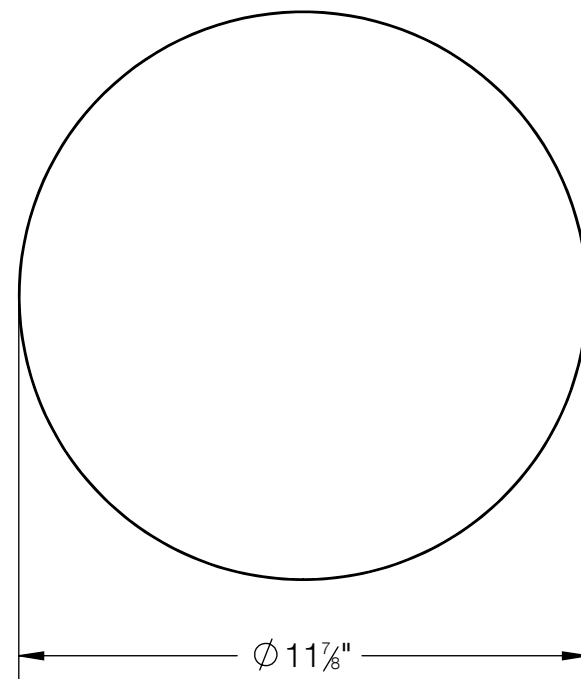
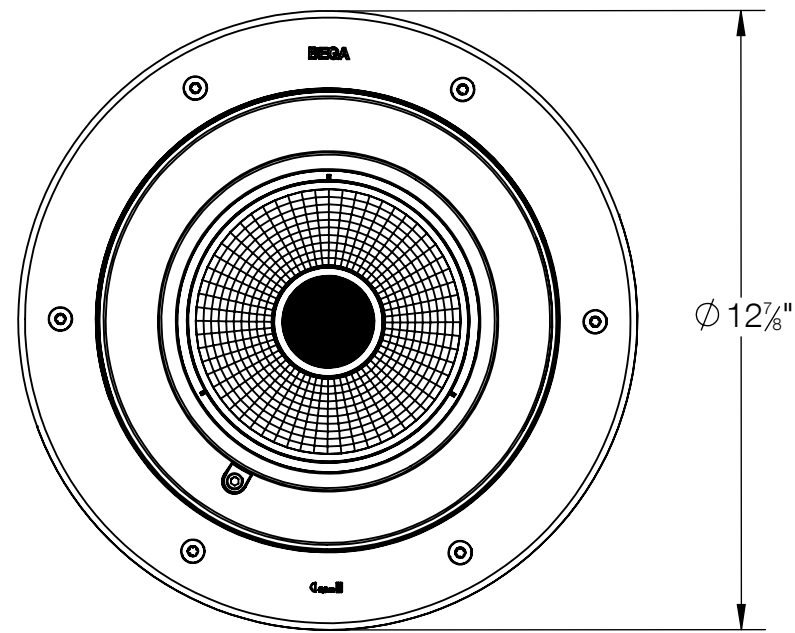


REV	CHANGED BY	DESCRIPTION	DATE



- NOTES:
- 64296 INSTALLATION SLEEVE INCLUDED
 - FIXING IS ACHIEVED BY USING THREE WEDGE SHAPED CLAMPING ELEMENTS
 - MUST SUPPLY MINIMUM OF 6" OF ADEQUATE DRAINAGE
 - ADJUSTABLE OPTICAL ASSEMBLY: 0-30° TILT AND 360° ROTATABLE
 - INCLUDES KIT #76 - WATERPROOF CONNECTORS

BEGA

1000 BEGA Way, Carpinteria, California 93013

P (805) 684-0533 - www.bega-us.com

APPROVED: _____ DATE: _____

TYPE: _____

DESCRIPTION:
IN-GRADE LUMINAIRE - ADJUSTABLE
- VERY WIDE BEAM

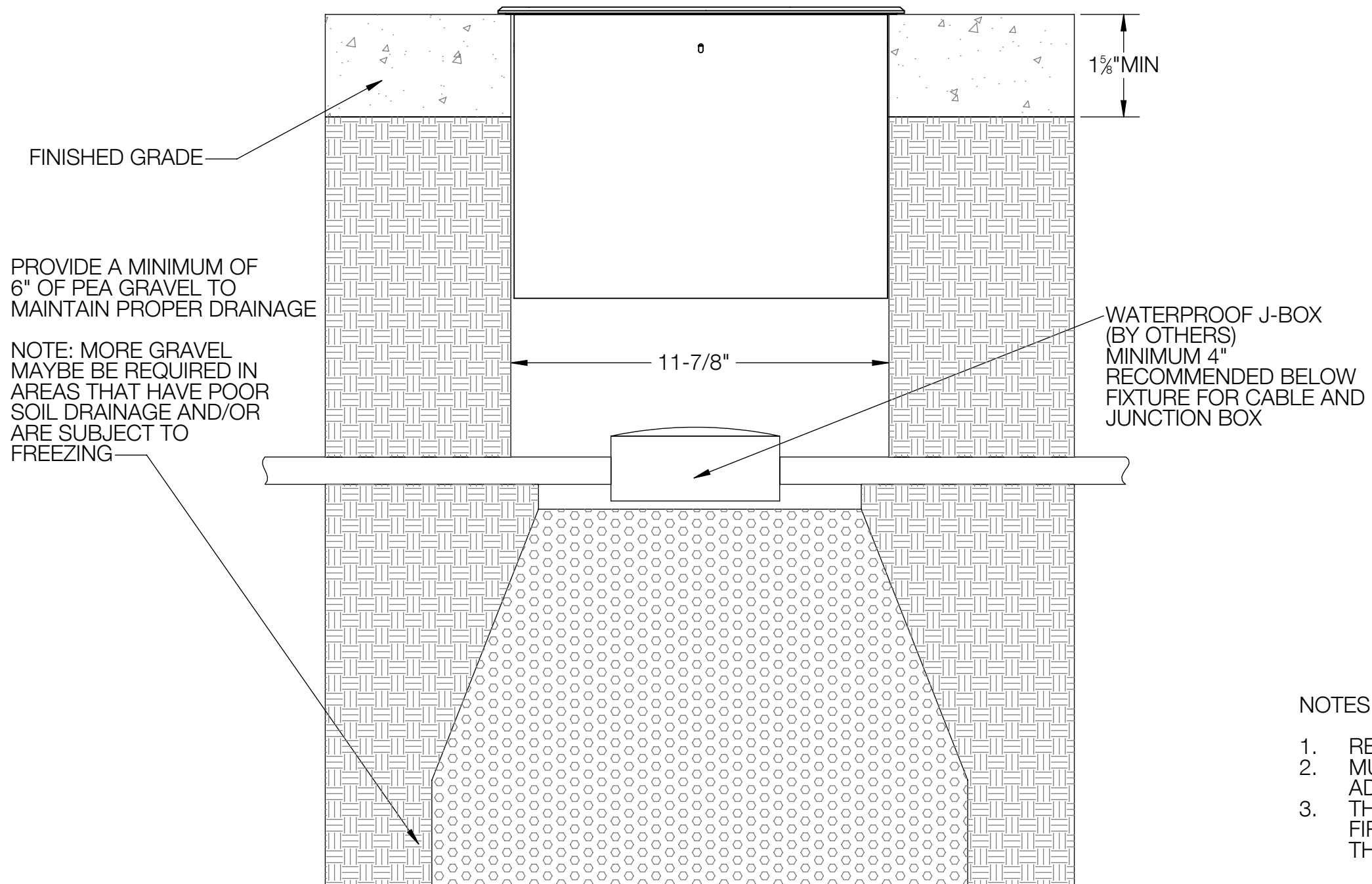
PROPRIETARY AND CONFIDENTIAL

THE INFORMATION CONTAINED IN THIS DRAWING IS THE SOLE PROPERTY OF BEGA NORTH AMERICA, INC. ANY REPRODUCTION IN PART OR AS A WHOLE WITHOUT THE WRITTEN PERMISSION OF BEGA NORTH AMERICA, INC. IS PROHIBITED.

SIZE	PART NO.	REV
B	84793	-

NOT TO SCALE	4/10/2026	SHEET 1 OF 2
--------------	-----------	--------------

REV	CHANGED BY	DESCRIPTION	DATE



NOTES:

1. REQUIRED RECESSED OPENING Ø 11 7/8"
2. MUST SUPPLY MINIMUM OF 6" OF ADEQUATE DRAINAGE
3. THE UPPER EDGE OF THE RECESS OPENING MUST BE FIRM ON A THICKNESS OF 1 5/8" MIN IN ORDER TO ACCEPT THE CLAMPING FORCES OF THE LUMINAIRE

BEGA

1000 BEGA Way, Carpinteria, California 93013

P (805) 684-0533 - www.bega-us.com

APPROVED: _____ DATE: _____
TYPE: _____

DESCRIPTION:
IN-GRADE LUMINAIRE - ADJUSTABLE
- VERY WIDE BEAM

PROPRIETARY AND CONFIDENTIAL
THE INFORMATION CONTAINED IN THIS DRAWING IS THE SOLE PROPERTY OF BEGA NORTH AMERICA, INC.
ANY REPRODUCTION IN PART OR AS A WHOLE WITHOUT THE WRITTEN PERMISSION OF BEGA NORTH AMERICA, INC. IS PROHIBITED.

SIZE	PART NO.	REV
B	84793	
NOT TO SCALE	4/10/2026	SHEET 2 OF 2