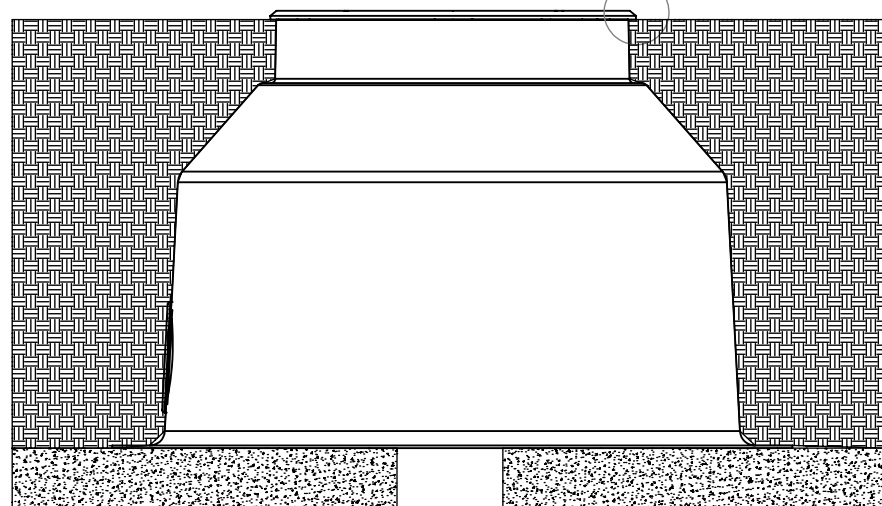
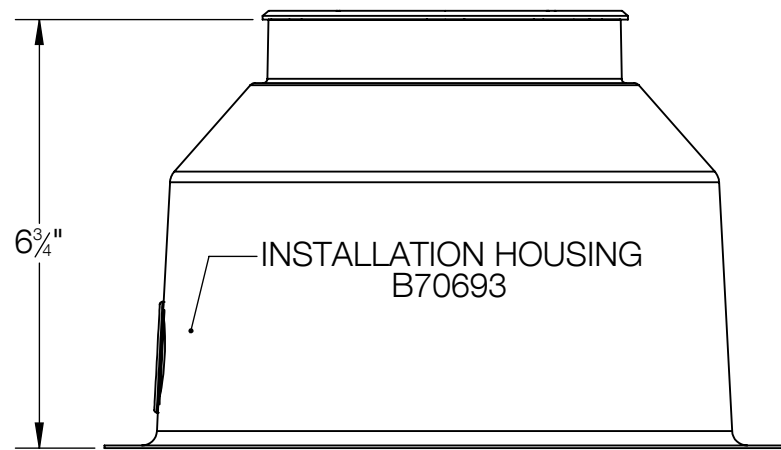
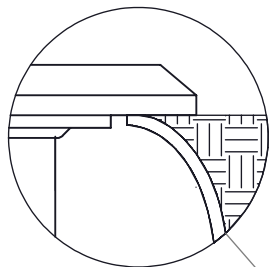
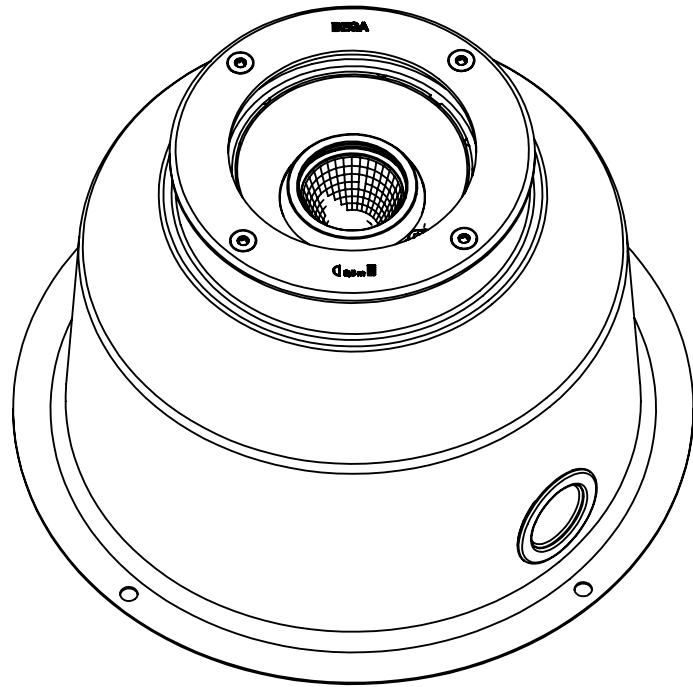
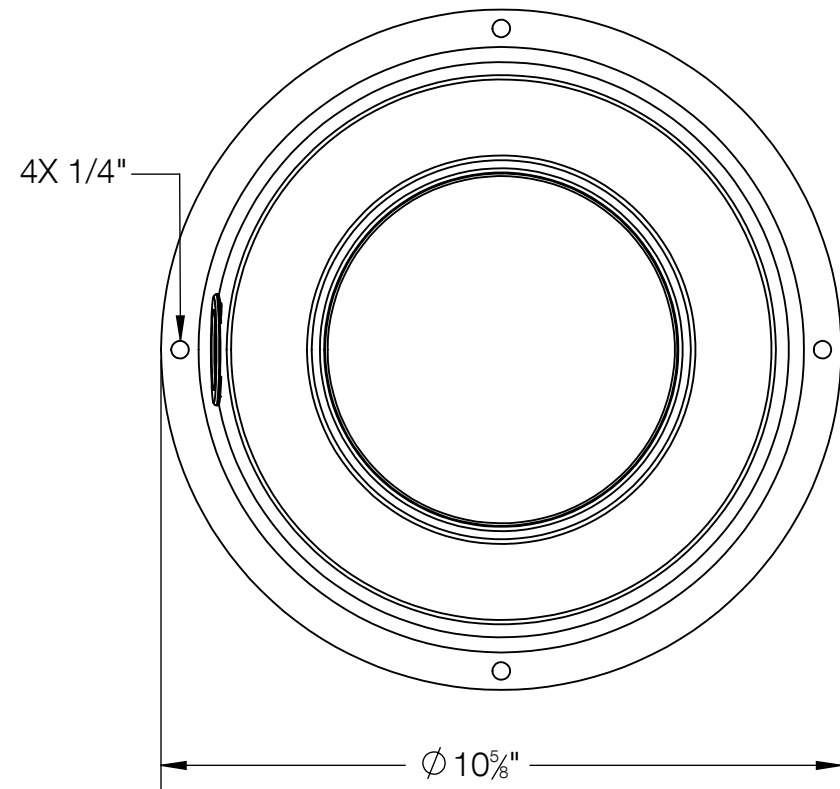
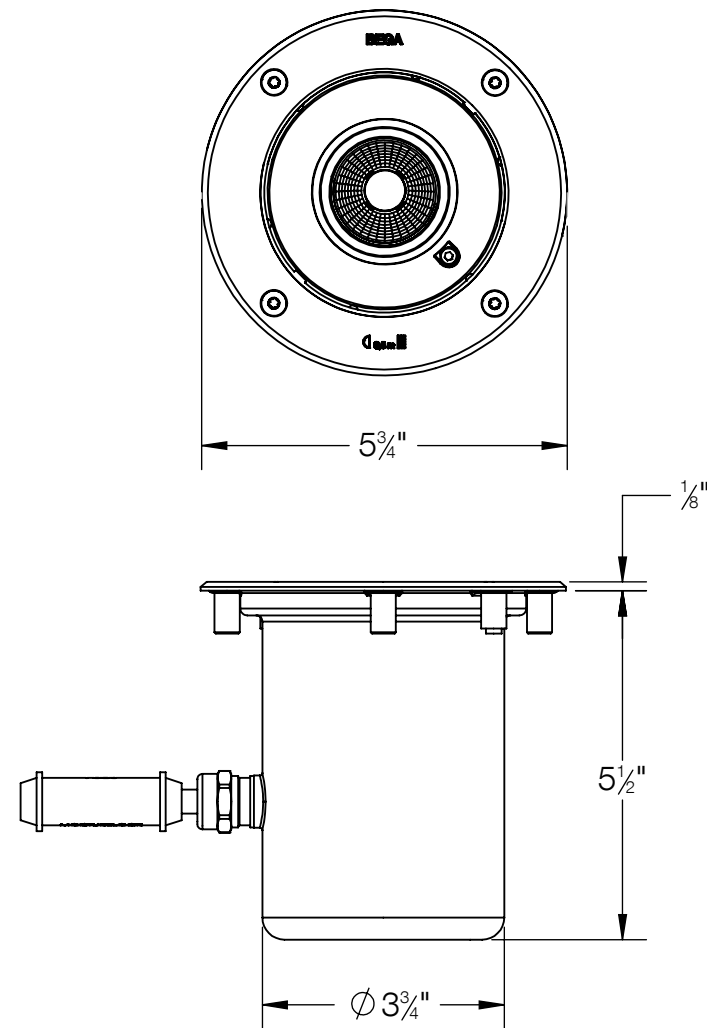


REV	CHANGED BY	DESCRIPTION	DATE



NOTES:

1. B70693 INSTALLATION HOUSING INCLUDED
2. MUST SUPPLY MINIMUM OF 6" OF ADEQUATE DRAINAGE
3. ADJUSTABLE OPTICAL ASSEMBLY: 0-30° TILT AND 360° ROTATABLE
4. INCLUDES KIT #76 - WATERPROOF CONNECTORS

BEGA

1000 BEGA Way, Carpinteria, California 93013 P (805) 684-0533 - www.bega-us.com

APPROVED: _____	DATE: _____	DESCRIPTION: IN-GRADE LUMINAIRE - ADJUSTABLE - WIDE BEAM
TYPE: _____		SIZE B
PROPRIETARY AND CONFIDENTIAL THE INFORMATION CONTAINED IN THIS DRAWING IS THE SOLE PROPERTY OF BEGA NORTH AMERICA, INC. ANY REPRODUCTION IN PART OR AS A WHOLE WITHOUT THE WRITTEN PERMISSION OF BEGA NORTH AMERICA, INC. IS PROHIBITED.		PART NO. 84794
NOT TO SCALE		REV -
4/13/2026		SHEET 1 OF 1