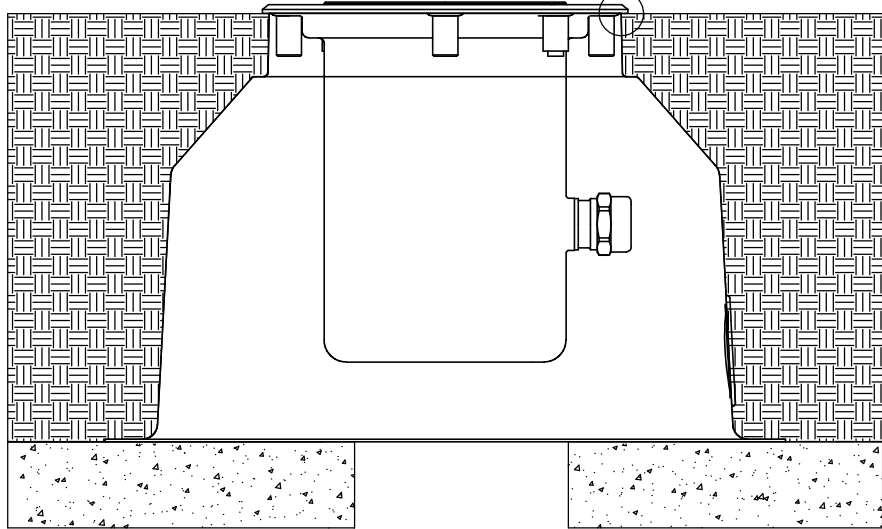
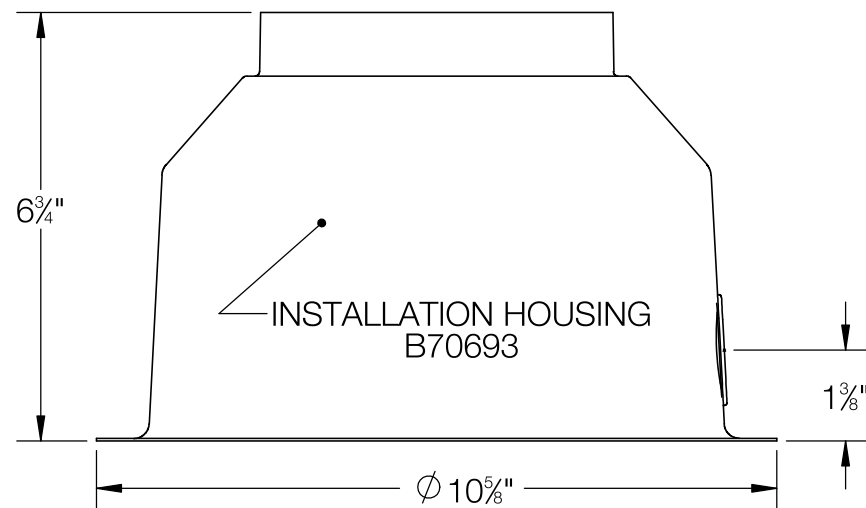
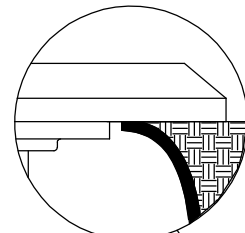
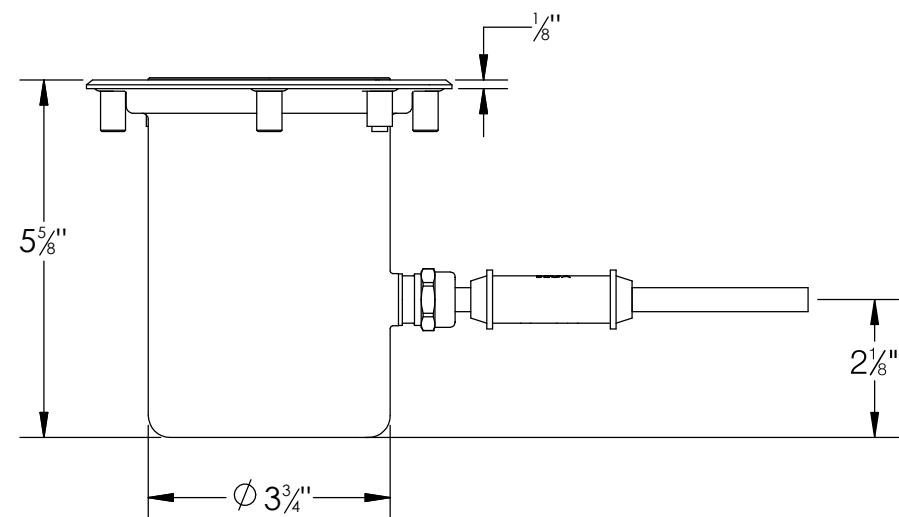
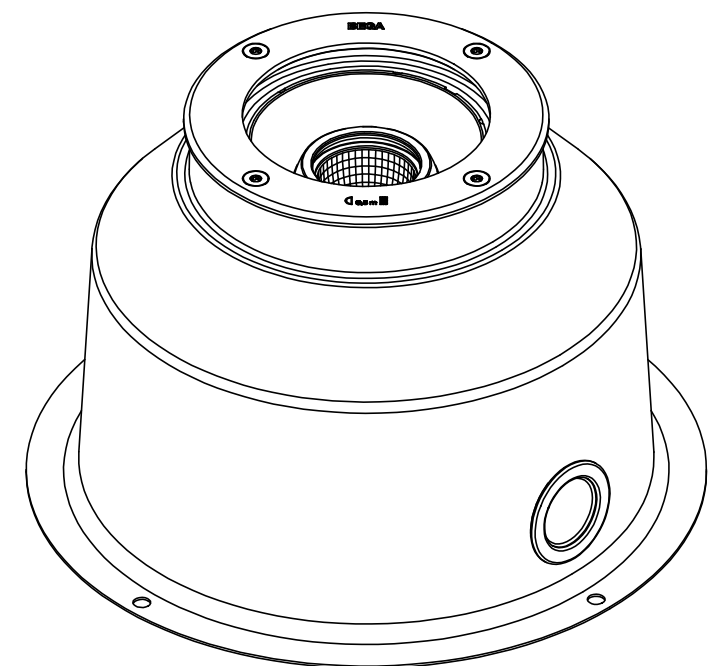
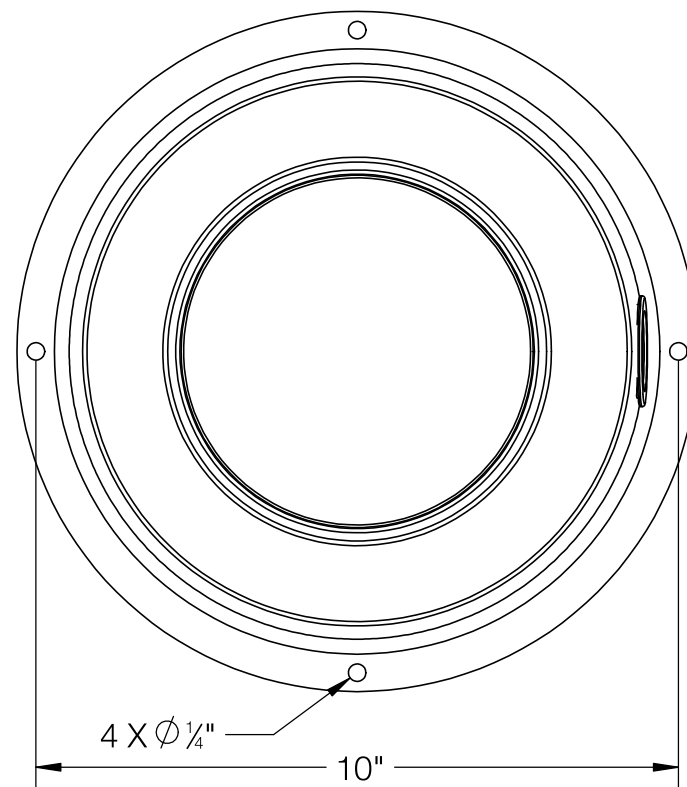
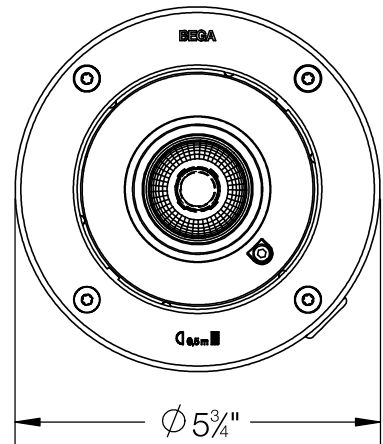


REV	CHANGED BY	DESCRIPTION	DATE



NOTES:

1. INSTALLATION HOUSING INCLUDED
2. MUST SUPPLY MINIMUM OF 6" OF ADEQUATE DRAINING
3. ADJUSTABLE OPTICAL SYSTEM 0-30° SWIVEL-MOUNTED AND 360° INFINITELY ROTATABLE
4. INCLUDES KIT#76 - WATERPROOF CONNECTORS

BEGA		1000 BEGA Way, Carpinteria, California 93013		P (805) 684-0533 - www.bega-us.com	
APPROVED: _____ DATE: _____		DESCRIPTION: INGRADE - ADJUSTABLE - VERY WIDE BEAM			
TYPE: _____					
PROPRIETARY AND CONFIDENTIAL		SIZE	PART NO.	REV	
THE INFORMATION CONTAINED IN THIS DRAWING IS THE SOLE PROPERTY OF BEGA NORTH AMERICA, INC. ANY REPRODUCTION IN PART OR AS A WHOLE WITHOUT THE WRITTEN PERMISSION OF BEGA NORTH AMERICA, INC. IS PROHIBITED.		B	84795	-	
		NOT TO SCALE	4/23/2026	SHEET 1 OF 1	