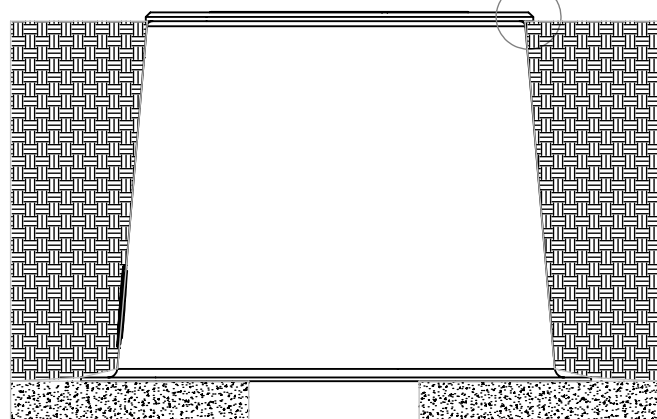
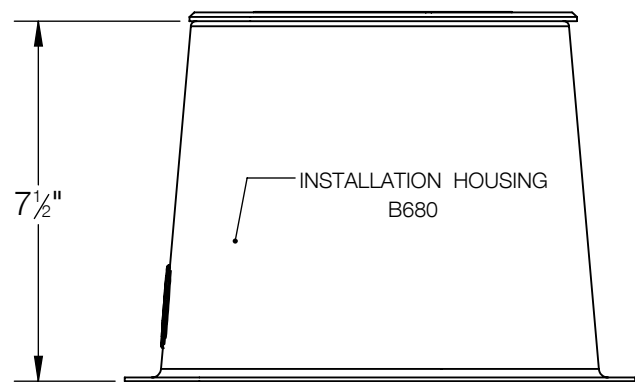
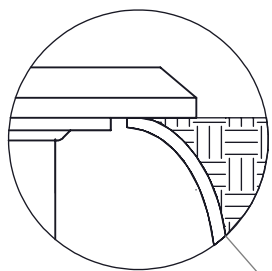
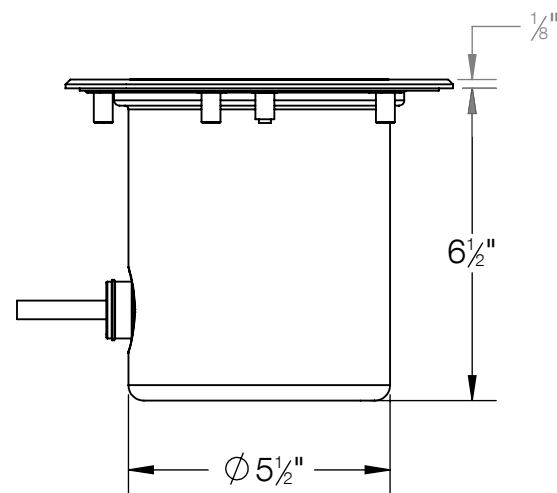
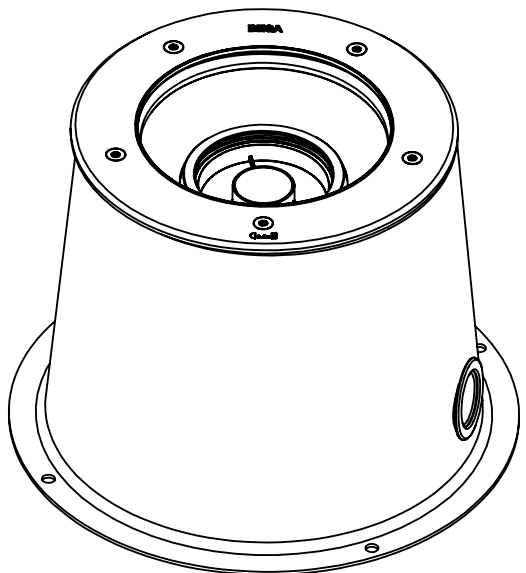
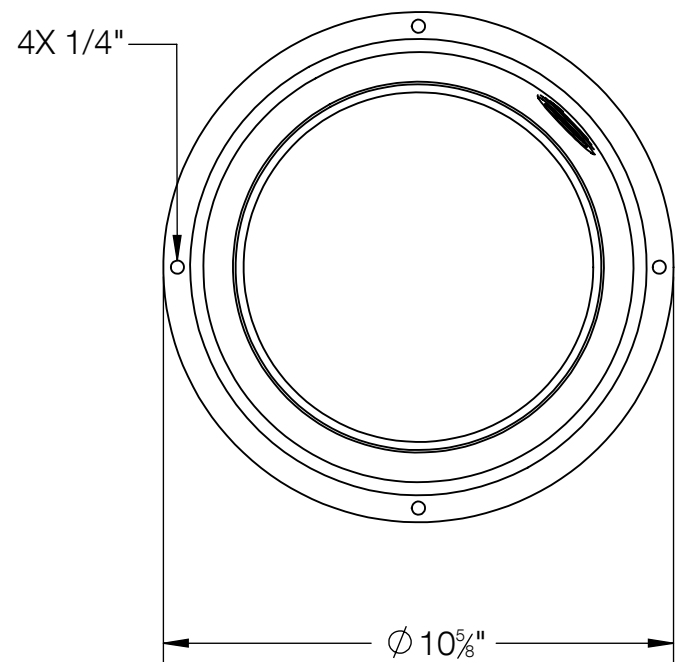
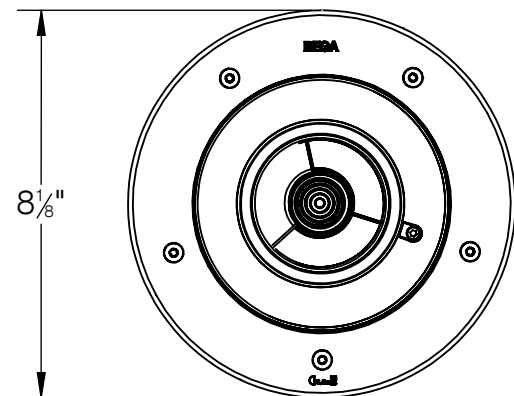


REV	CHANGED BY	DESCRIPTION	DATE



**NOTES:**

1. INSTALLATION HOUSING INCLUDED
2. MUST SUPPLY MINIMUM OF 6" OF ADEQUATE DRAINAGE
3. ADJUSTABLE OPTICAL ASSEMBLY: 0-30° TILT AND 360° ROTATABLE
4. INCLUDES KIT #76 - WATERPROOF CONNECTORS

<b>BEGA</b>		
1000 BEGA Way, Carpinteria, California 93013		P (805) 684-0533 - www.bega-us.com
APPROVED: _____	DATE: _____	DESCRIPTION: IN-GRADE LUMINAIRE - ADJUSTABLE - FOCUSED BEAM
TYPE: _____		
PROPRIETARY AND CONFIDENTIAL THE INFORMATION CONTAINED IN THIS DRAWING IS THE SOLE PROPERTY OF BEGA NORTH AMERICA, INC. ANY REPRODUCTION IN PART OR AS A WHOLE WITHOUT THE WRITTEN PERMISSION OF BEGA NORTH AMERICA, INC. IS PROHIBITED.	SIZE <b>B</b>	PART NO. <b>84796</b>
		REV -
NOT TO SCALE	4/10/2026	SHEET 1 OF 1