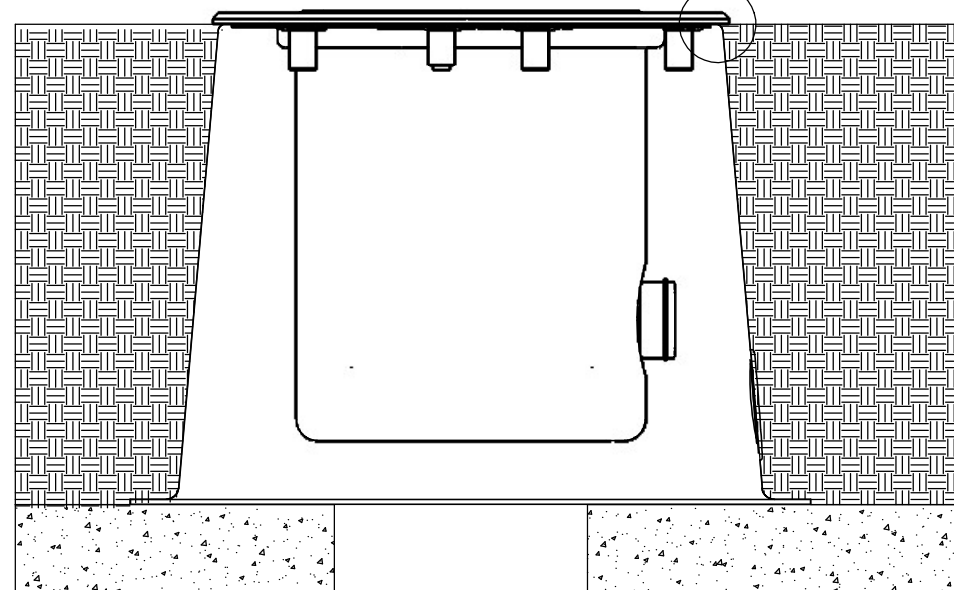
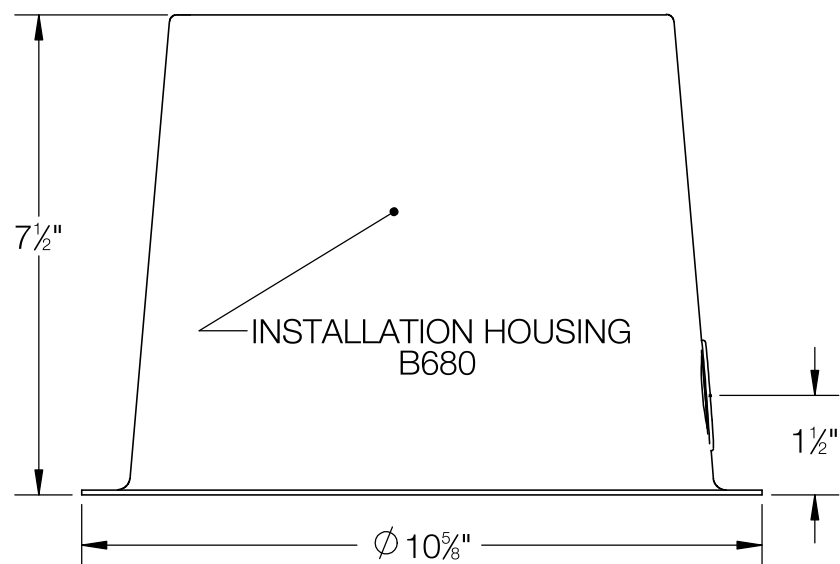
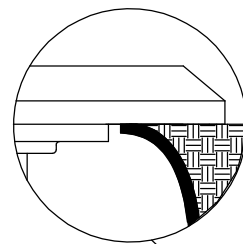
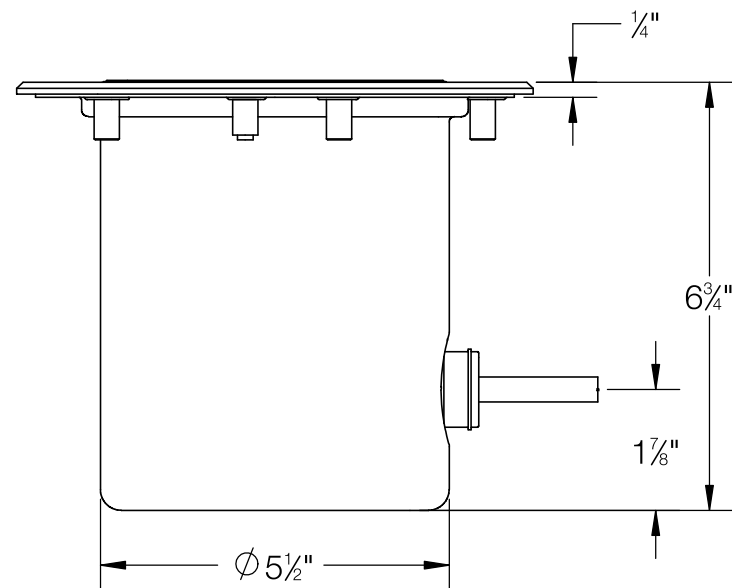
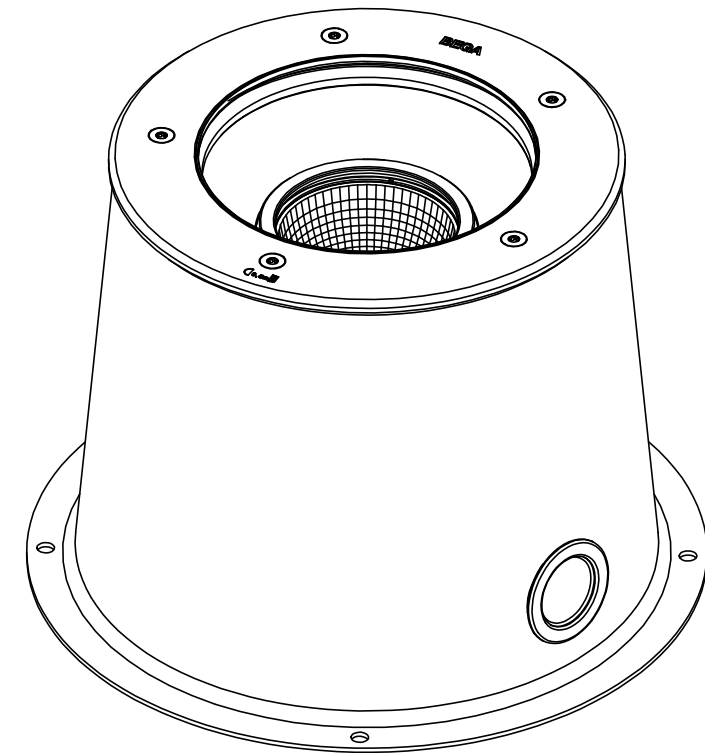
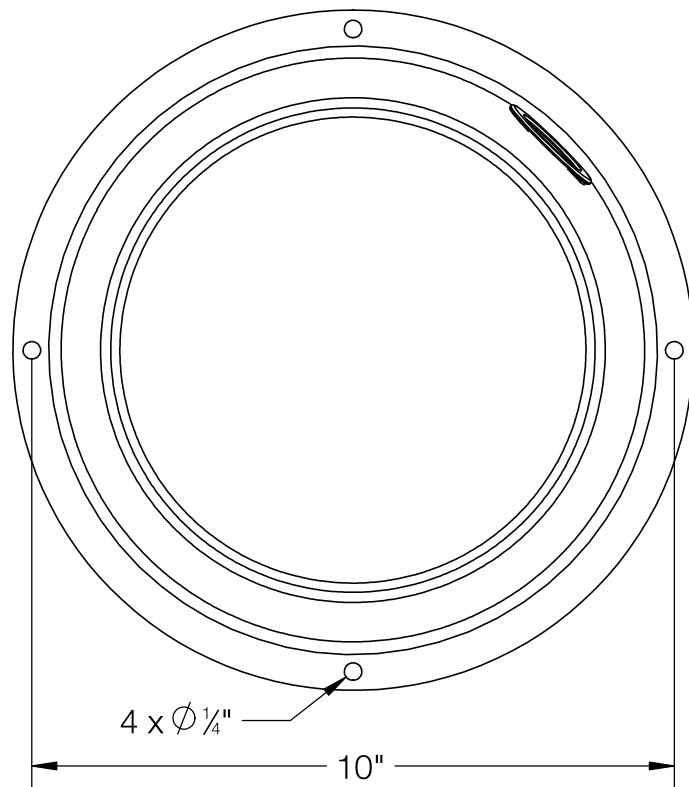
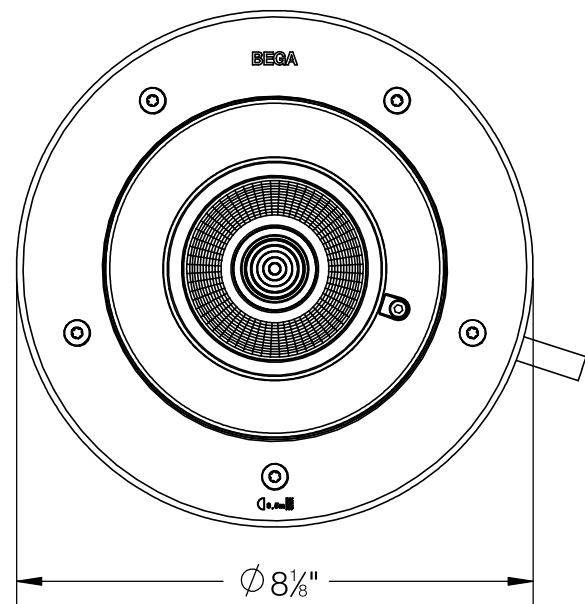


REV	CHANGED BY	DESCRIPTION	DATE



NOTES:

1. INSTALLATION HOUSING INCLUDED
2. MUST SUPPLY MINIMUM OF 6" OF ADEQUATE DRAINING
3. ADJUSTABLE OPTICAL SYSTEM 0-30° SWIVEL-MOUNTED AND 360° INFINITELY ROTATABLE
4. INCLUDES KIT#76 - WATERPROOF CONNECTORS

**BEGA**

1000 BEGA Way, Carpinteria, California 93013

P (805) 684-0533 - www.bega-us.com

APPROVED: \_\_\_\_\_ DATE: \_\_\_\_\_  
TYPE: \_\_\_\_\_

DESCRIPTION: INGRADE - ADJUSTABLE - VERY WIDE BEAM

**PROPRIETARY AND CONFIDENTIAL**

THE INFORMATION CONTAINED IN THIS DRAWING IS THE SOLE PROPERTY OF BEGA NORTH AMERICA, INC. ANY REPRODUCTION IN PART OR AS A WHOLE WITHOUT THE WRITTEN PERMISSION OF BEGA NORTH AMERICA, INC. IS PROHIBITED.

SIZE	PART NO.	REV
B	84798	-
NOT TO SCALE	4/15/2026	SHEET 1 OF 1