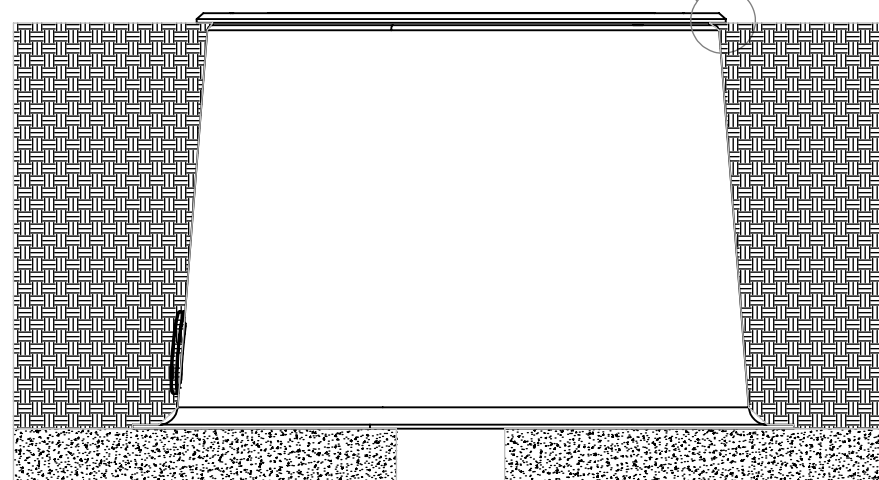
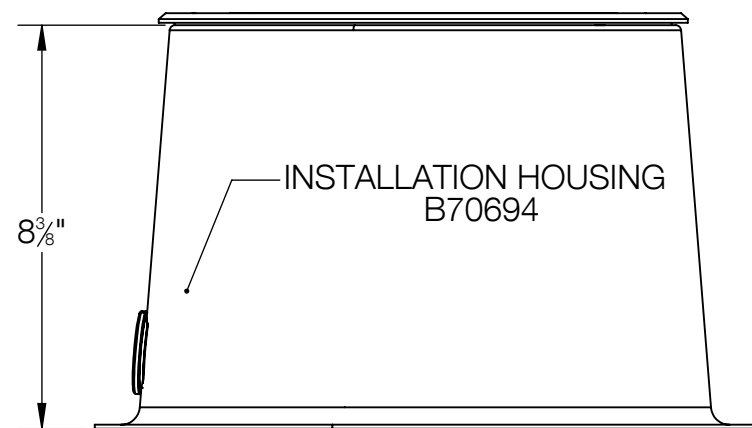
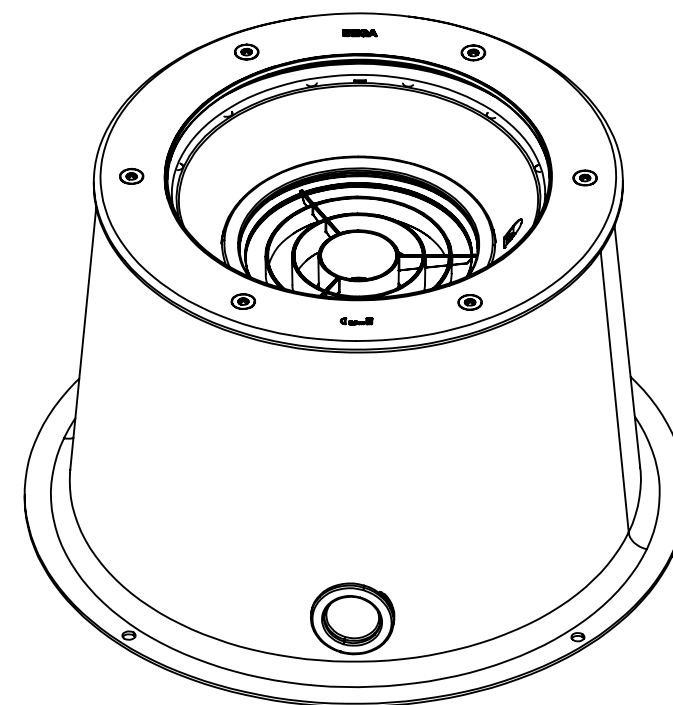
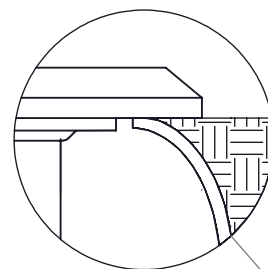
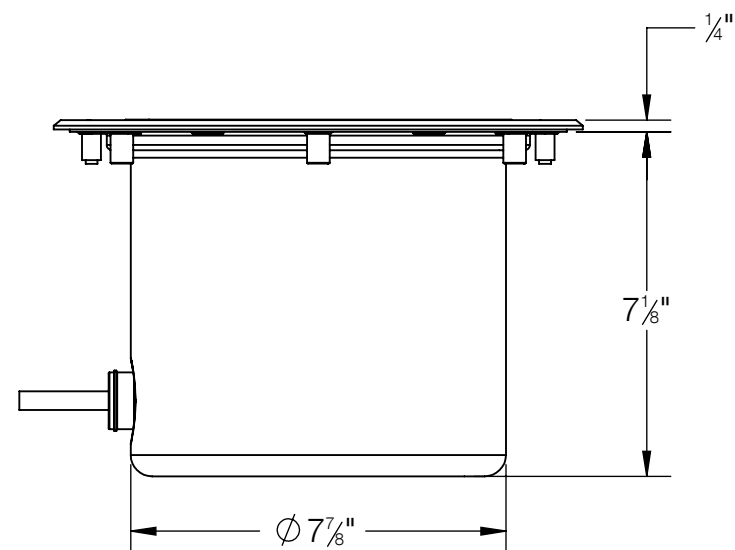
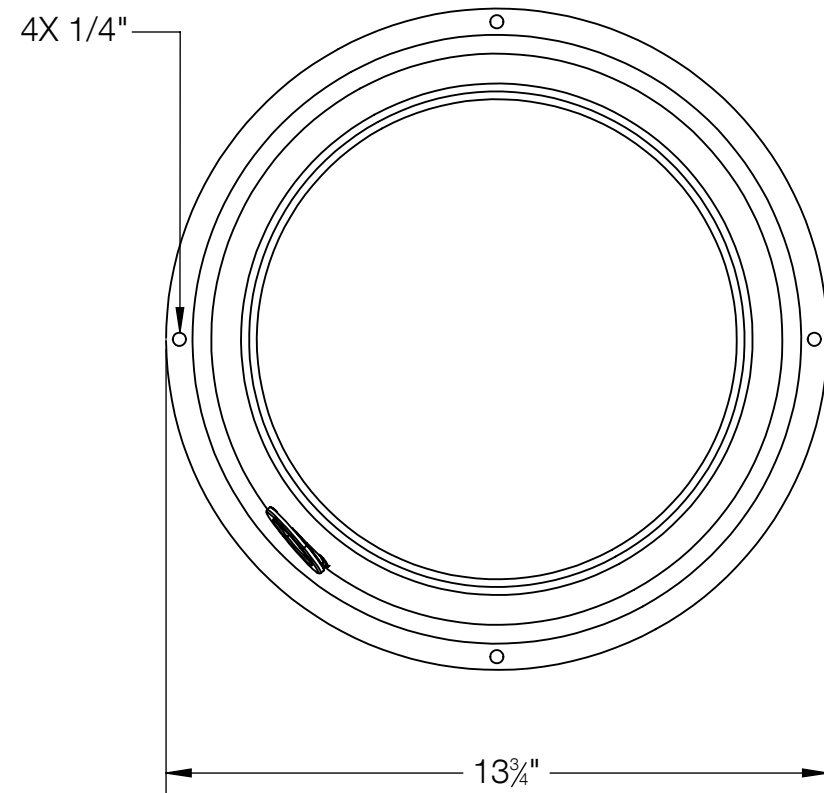
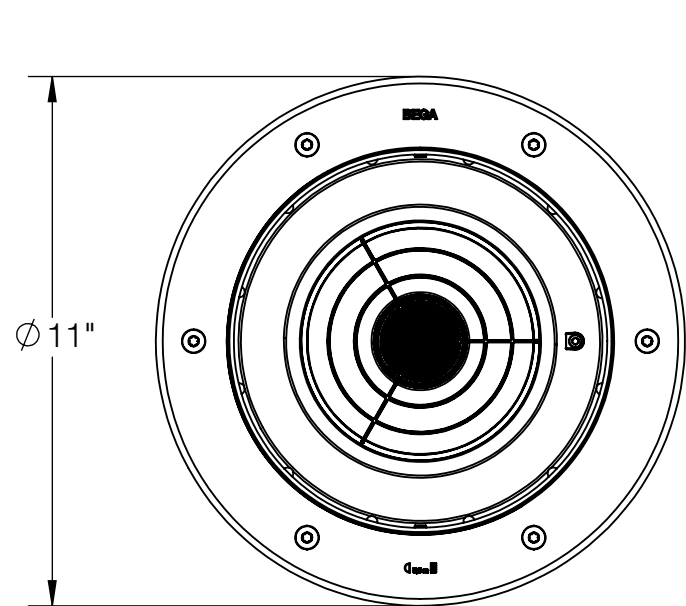


REV	CHANGED BY	DESCRIPTION	DATE



NOTES:

1. B70694 INSTALLATION HOUSING INCLUDED
2. MUST SUPPLY MINIMUM OF 6" OF ADEQUATE DRAINAGE
3. ADJUSTABLE OPTICAL ASSEMBLY: 0-30° AND 360°
4. ROTATABLE
5. 4. INCLUDES KIT#76 - WATERPROOF CONNECTORS

BEGA		1000 BEGA Way, Carpinteria, California 93013		P (805) 684-0533 - www.bega-us.com	
APPROVED: _____ DATE: _____		DESCRIPTION: IN-GRADE LUMINAIRE - ADJUSTABLE - FOCUSED BEAM			
TYPE: _____		SIZE B		PART NO. 84799	
PROPRIETARY AND CONFIDENTIAL THE INFORMATION CONTAINED IN THIS DRAWING IS THE SOLE PROPERTY OF BEGA NORTH AMERICA, INC. ANY REPRODUCTION IN PART OR AS A WHOLE WITHOUT THE WRITTEN PERMISSION OF BEGA NORTH AMERICA, INC. IS PROHIBITED.		NOT TO SCALE		REV -	
		4/13/2026		SHEET 1 OF 1	