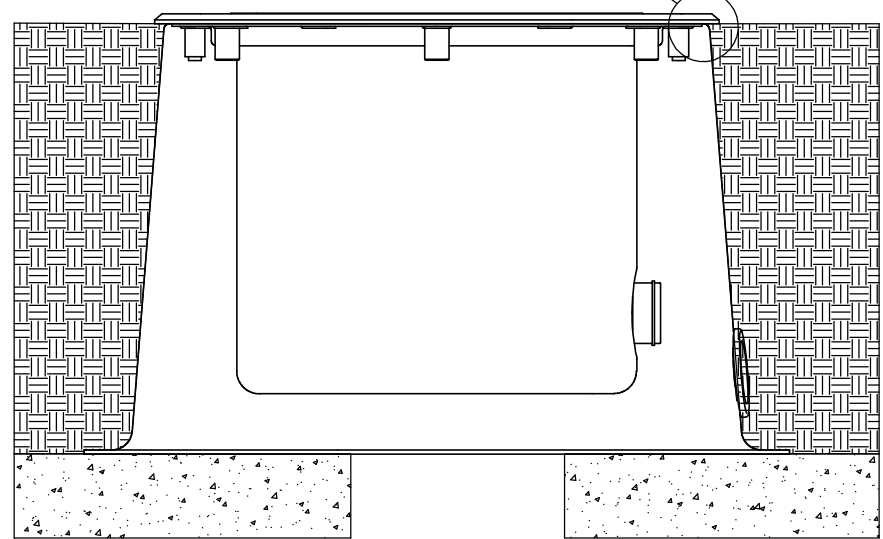
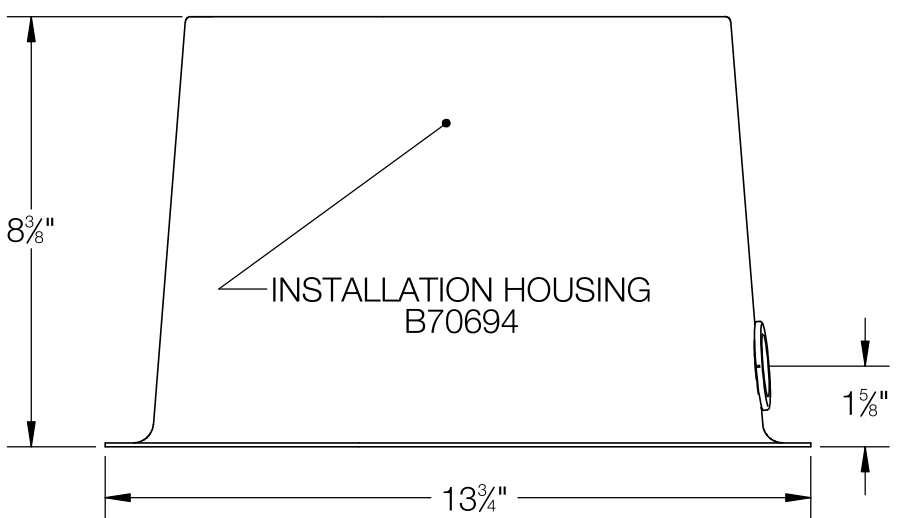
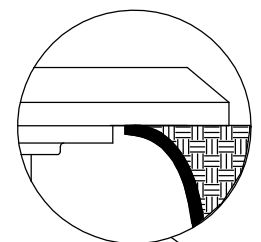
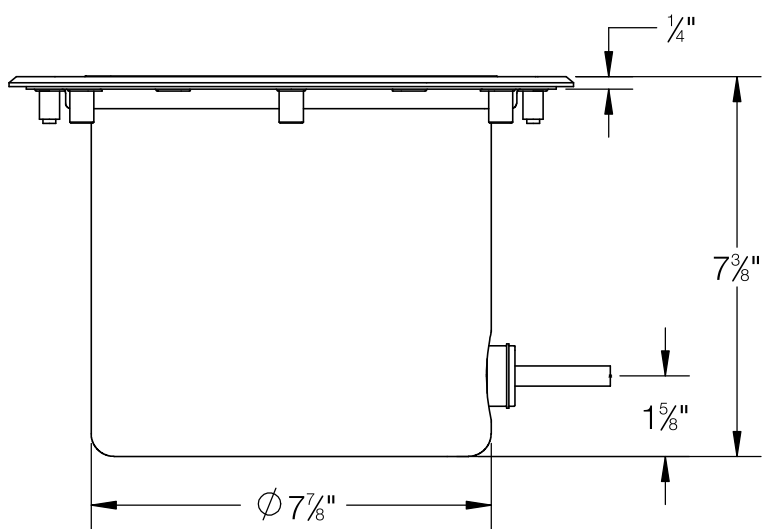
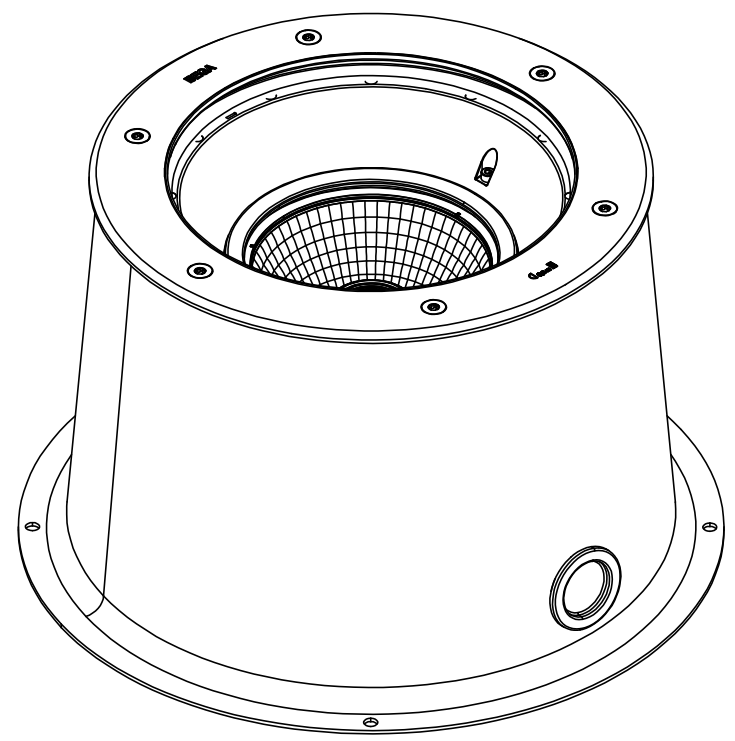
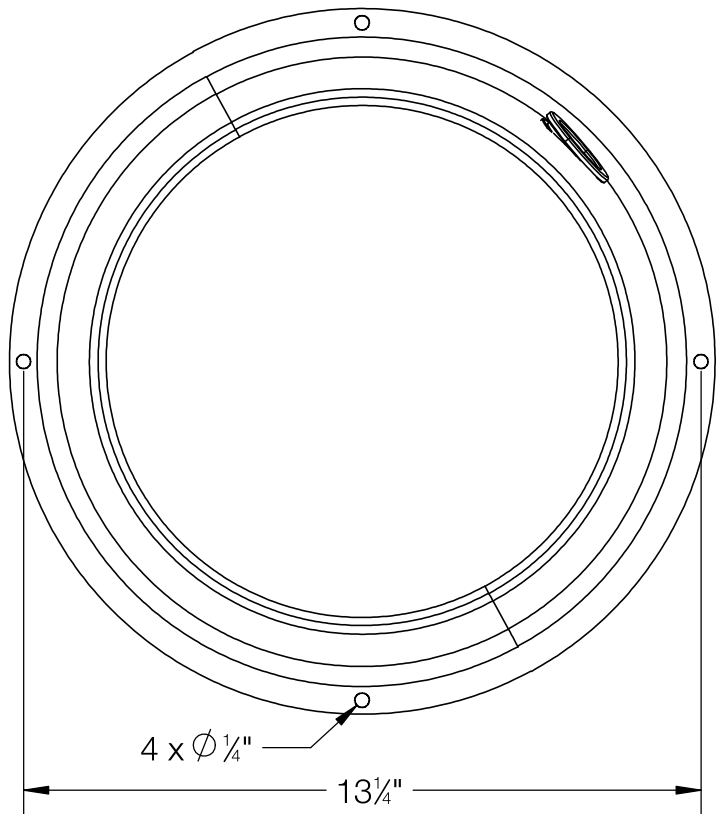
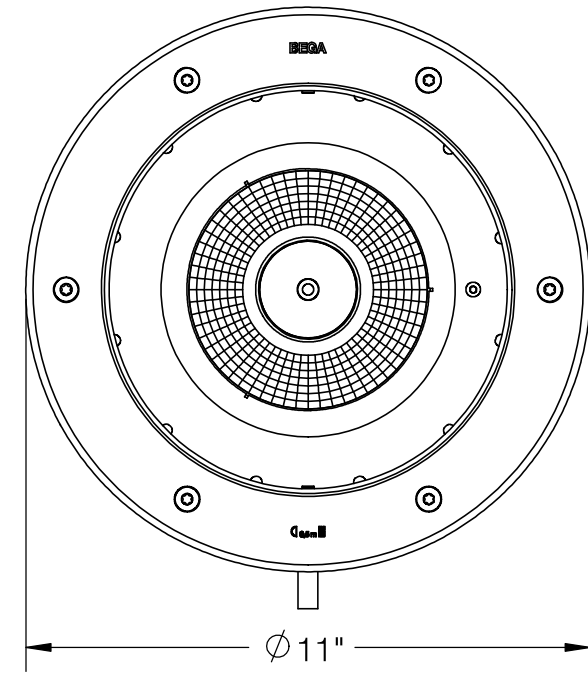


REV	CHANGED BY	DESCRIPTION	DATE



NOTES:

1. INSTALLATION HOUSING INCLUDED
2. MUST SUPPLY MINIMUM OF 6" OF ADEQUATE DRAINING
3. ADJUSTABLE OPTICAL SYSTEM 0-30° SWIVEL-MOUNTED AND 360° INFINITELY ROTATABLE
4. INCLUDES KIT#76 - WATERPROOF CONNECTORS

BEGA			
1000 BEGA Way, Carpinteria, California 93013		P (805) 684-0533 - www.bega-us.com	
APPROVED: _____	DATE: _____	DESCRIPTION: INGRADE - ADJUSTABLE - WIDE BEAM	
TYPE: _____		SIZE	REV
PROPRIETARY AND CONFIDENTIAL		B	-
THE INFORMATION CONTAINED IN THIS DRAWING IS THE SOLE PROPERTY OF BEGA NORTH AMERICA, INC. ANY REPRODUCTION IN PART OR AS A WHOLE WITHOUT THE WRITTEN PERMISSION OF BEGA NORTH AMERICA, INC. IS PROHIBITED.		PART NO. 84800	
NOT TO SCALE	4/15/2026	SHEET 1 OF 1	