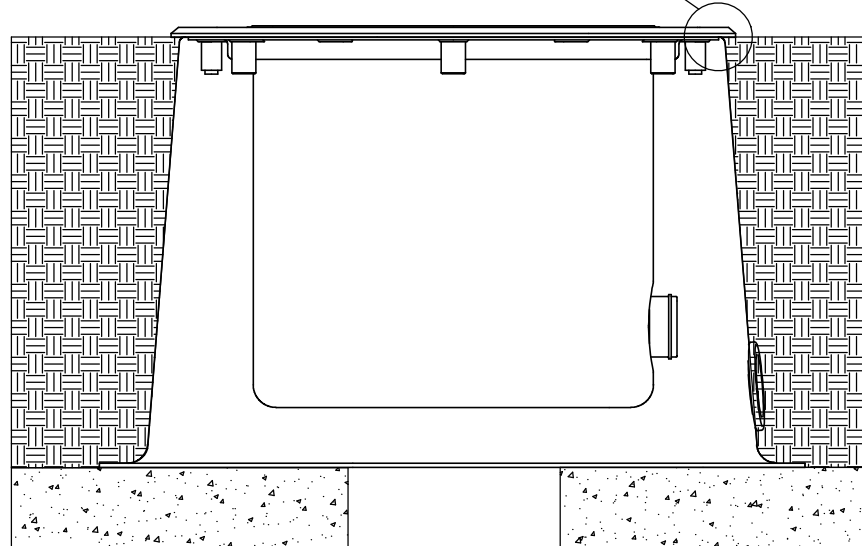
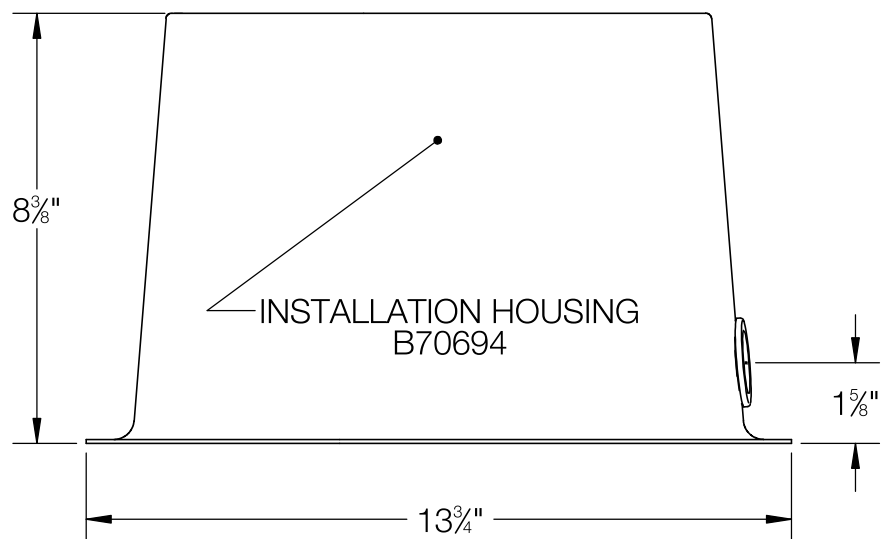
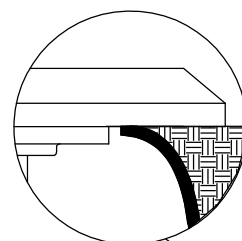
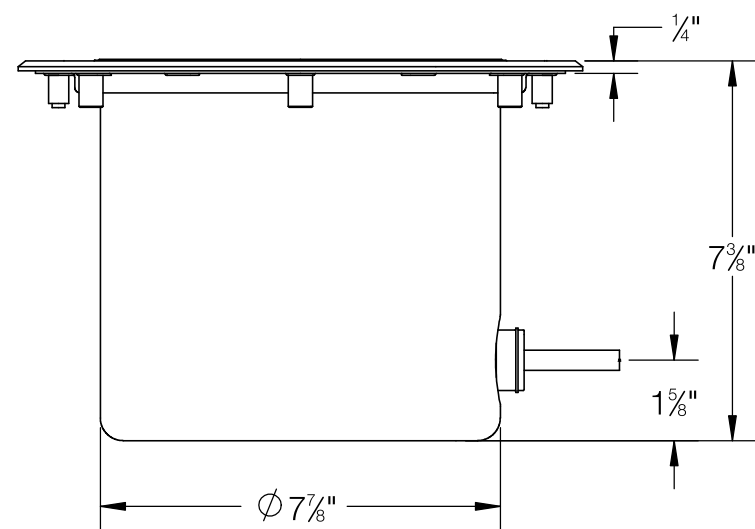
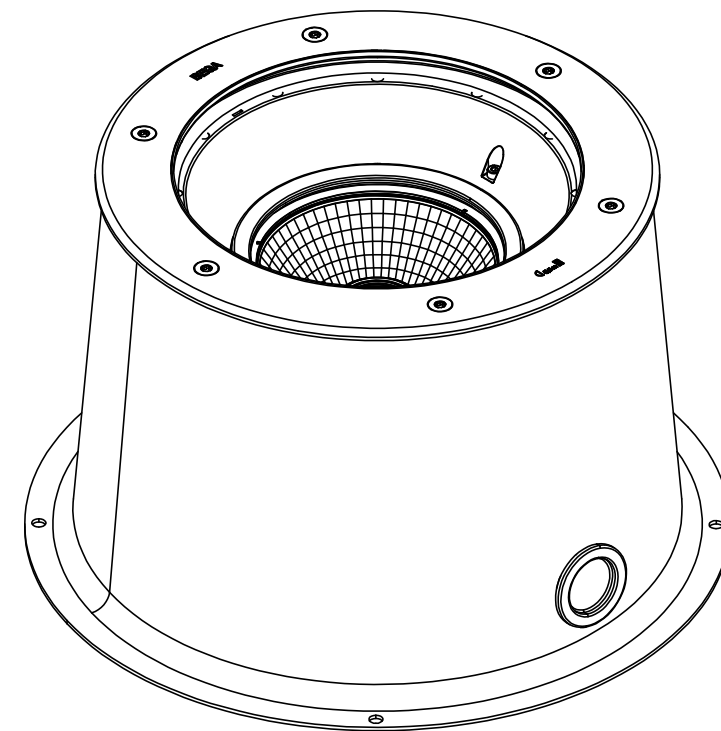
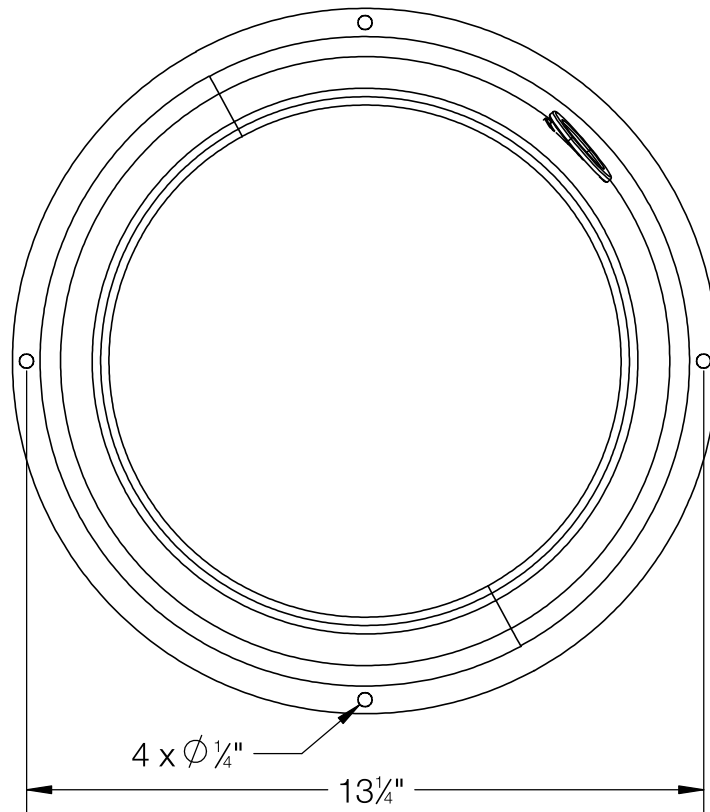
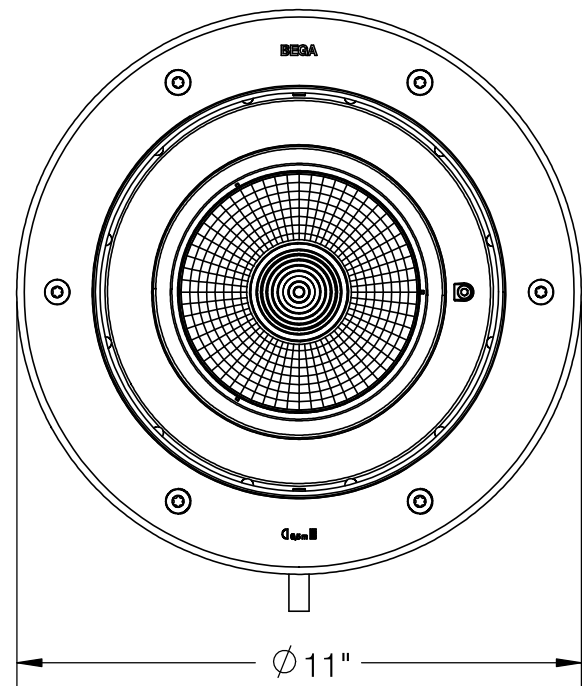


REV	CHANGED BY	DESCRIPTION	DATE



NOTES:

1. INSTALLATION HOUSING INCLUDED
2. MUST SUPPLY MINIMUM OF 6" OF ADEQUATE DRAINING
3. ADJUSTABLE OPTICAL SYSTEM 0-30° SWIVEL-MOUNTED AND 360° INFINITELY ROTATABLE
4. INCLUDES KIT#76 - WATERPROOF CONNECTORS

BEGA

1000 BEGA Way, Carpinteria, California 93013

P (805) 684-0533 - www.bega-us.com

APPROVED: _____ DATE: _____
TYPE: _____

DESCRIPTION: INGRADE - ADJUSTABLE -
VERY WIDE BEAM

PROPRIETARY AND CONFIDENTIAL
THE INFORMATION CONTAINED IN THIS DRAWING IS THE SOLE PROPERTY
OF BEGA NORTH AMERICA, INC.
ANY REPRODUCTION IN PART OR AS A WHOLE WITHOUT THE WRITTEN
PERMISSION OF BEGA NORTH AMERICA, INC. IS PROHIBITED.

SIZE	PART NO.	REV
B	84801	-
NOT TO SCALE	4/15/2026	SHEET 1 OF 1