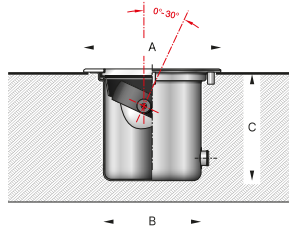


**Tools Required:**

- Torx T30 screwdriver
- 5mm hex head screwdriver
- 4mm hex head screwdriver

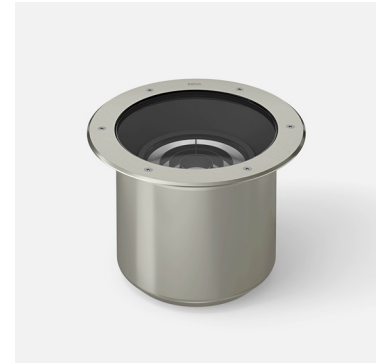
**Overview:**

LED Watts: 37.5W  
 System Watts: 44W  
 Controllability: 0-10V dimming down to 1%  
 Weight: 18.7 lbs.  
 Protection Class: IP68



**Dimensions**

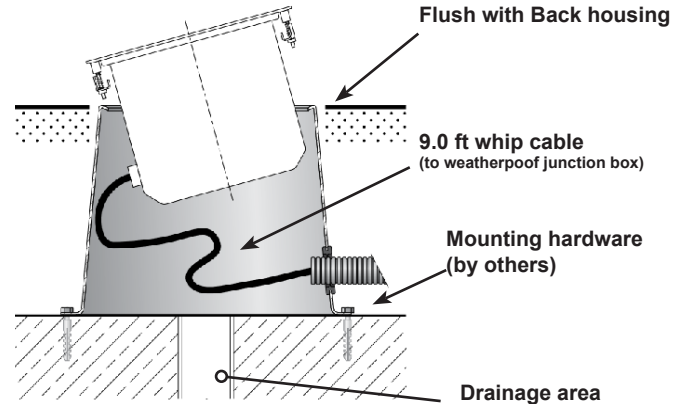
- A: 12 7/8"
- B: 15 1/2"
- C: 10"



**Notice to Installer:**

1. See page 2 for specific product safety warnings.
2. A foundation must accommodate the luminaire's max pressure load of 4400 lbs. (2,000 kg.). The pressure load transfers to the foundation provided by the customer through the housing.
3. The installation housing must be set in concrete for drive over applications.
4. Aggressive chemicals can compromise the luminaire from the surface and avoid excessive de-icing agents near the luminaire.
5. Do not use power tools to open and close fixture, use hand tools only. Failure to do so can result in incorrect sealing of fixture and void warranty.
6. Do not install luminaire housing in heat-insulating material.
7. At least 6" of drainage (pea gravel recommended) must be provided in the foundation to allow surface water to drain from the recessed housing.
8. A customer-provided waterproof wiring box is required to connect the luminaire to the supply power.
9. Luminaire supplied with 9.0 ft. whip exiting the fixture.

**Figure 1: Mounting (Generic Image)**



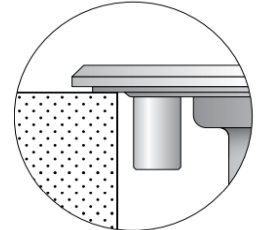
**Installation: B688 - Installation Housing**

1. Establish location of wiring box. (These luminaires are pre-wired with (9) feet of waterproof cable, factory sealed to the luminaire inner housing.) Make sure that enough cable is left to lift the inner housing out of the outer housing for maintenance.
2. Position back housing on the stable foundation; anchor using hardware (by others). See Figure 1.
3. The finished surface must be level with or below the upper edge of the recessed housing to guarantee a proper seal of the luminaire faceplate. See Figure 2.

**Installation: Luminaire**

1. Connect luminaire incoming supply wiring at wiring box:  
 MAIN VOLTAGE SUPPLY WIRE TO BLACK WIRE;  
 NEUTRAL COMMON SUPPLY WIRE TO WHITE WIRE;  
 GREEN GROUND WIRE TO GREEN WIRE;  
 Dimming (0-10V):  
 DIMMING CONTROL WIRE (+) TO (+) DIM CONTROL WIRE;  
 DIMMING CONTROL WIRE (-) TO (-) DIM CONTROL WIRE;
2. Insert the luminaire housing into the outer housing. Turn it clockwise and align as needed until it stops.
3. To secure the luminaire in the outer housing, loosen the (6) screws on the luminaire faceplate using a T30 screwdriver to remove the stainless steel trim ring and evenly tighten the (2) 5mm hex head screws to engage the clamping system.
4. Replace faceplate by tightening the (6) T30 screws in a star pattern (torque = 5 Nm /3.69 ft-lbs).

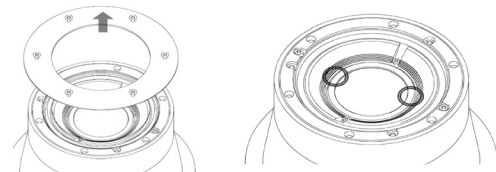
**Figure 2: Faceplate Detail**



**Installation: Optical Assembly Adjustment**

1. Remove luminaire faceplate and glass.
2. Loosen (1) 4mm hex head adjustment screw; adjust optical assembly by applying pressure in the area circled in Figure 3. Tighten adjustment screws when complete.

**Figure 3: Optical Assembly Adjustment (Generic Image)**



**Accessories**

Please refer to the appropriate accessory installation sheet for further instruction when applicable.

**Maintenance:**

Routinely clean stainless steel with a solution of warm water and gentle detergent or stainless steel cleaner. For installation in more corrosive locations, an annual application of a corrosion protection film is recommended such as BEGA part #95420.

**Replacement Parts**

See label inside of fixture for LED replacement part number.

Consult factory for all other replacement components.

**Product Safety Warnings:**

**THIS PRODUCT MUST BE INSTALLED IN ACCORDANCE WITH THE APPLICABLE INSTALLATION CODE BY A PERSON FAMILIAR WITH THE CONSTRUCTION AND OPERATION OF THE PRODUCT AND THE HAZARDS INVOLVED.  
SUITABLE FOR WET LOCATIONS.  
MIN 60°C SUPPLY CONDUCTORS.**

**CE PRODUIT DOIT ÊTRE INSTALLÉ SELON LE CODE D'INSTALLATION PERTINENT, PAR UNE PERSONNE QUI CONNAÎT BIEN LE PRODUIT ET SON FONCTIONNEMENT AINSI QUE LES RISQUES INHÉRENTS  
CONVIENT AUX EMPLACEMENTS MOUILLÉS  
LES FILS D'ALIMENTATION 60°C MIN**