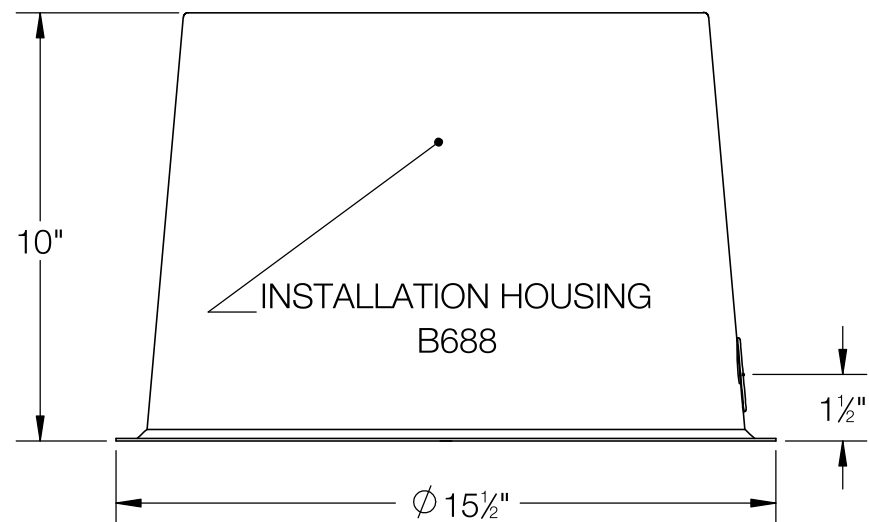
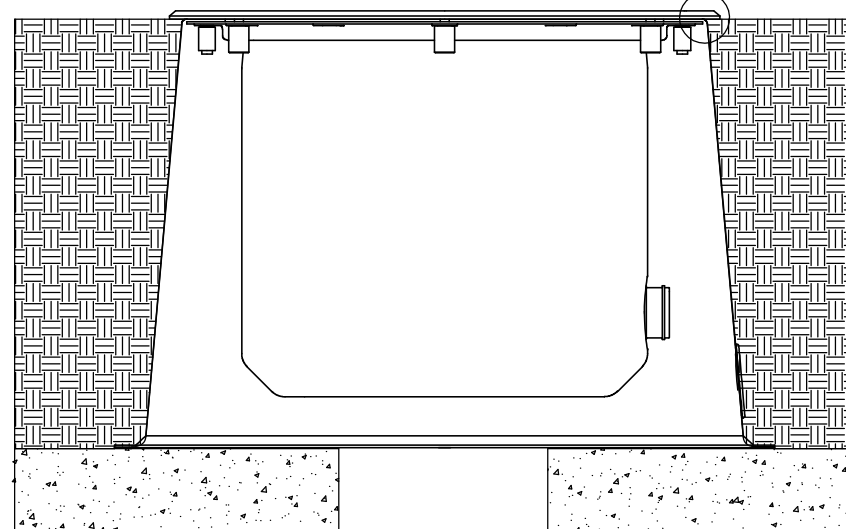
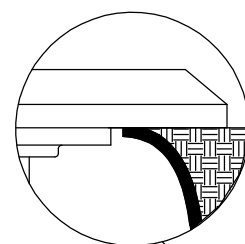
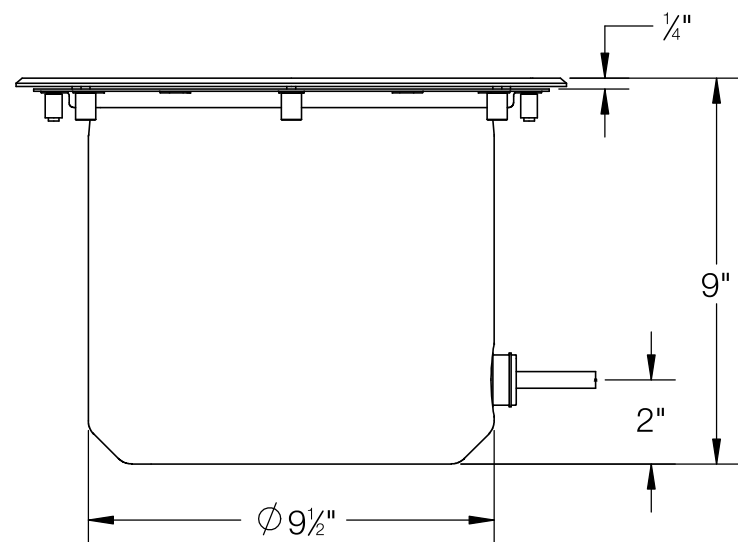
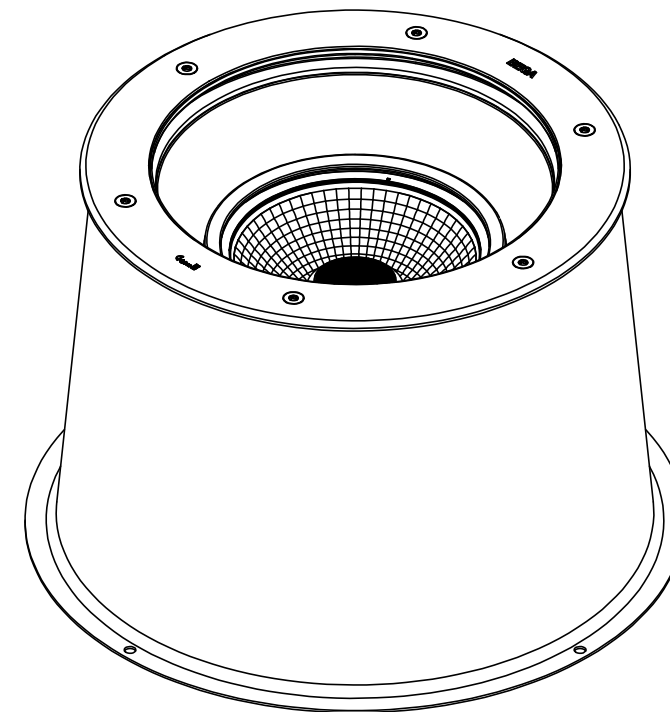
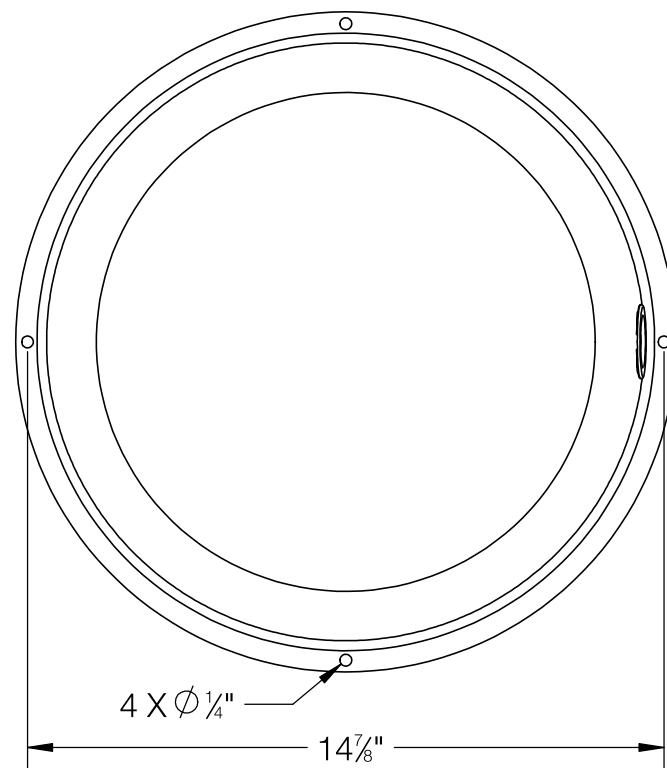
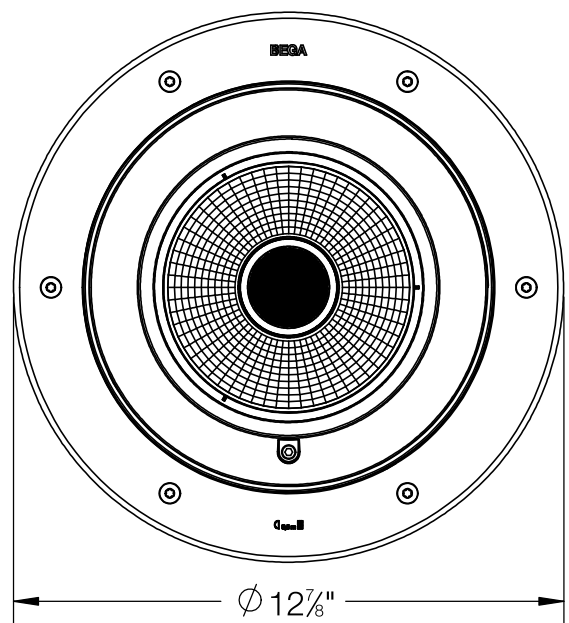


| REV | CHANGED BY | DESCRIPTION | DATE |
|-----|------------|-------------|------|
| | | | |



NOTES:

1. INSTALLATION HOUSING INCLUDED
2. MUST SUPPLY MINIMUM OF 6" OF ADEQUATE DRAINING
3. ADJUSTABLE OPTICAL SYSTEM 0-30° SWIVEL-MOUNTED AND 360° INFINITELY ROTATABLE
4. INCLUDES KIT #76 - WATERPROOF CONNECTORS

| | | | | | |
|---|--|---|--------------------------|------------------------------------|--|
| BEGA | | 1000 BEGA Way, Carpinteria, California 93013 | | P (805) 684-0533 - www.bega-us.com | |
| APPROVED: _____ DATE: _____ | | DESCRIPTION: INGRADE - ADJUSTABLE - WIDE BEAM | | | |
| TYPE: _____ | | | | | |
| PROPRIETARY AND CONFIDENTIAL THE INFORMATION CONTAINED IN THIS DRAWING IS THE SOLE PROPERTY OF BEGA NORTH AMERICA, INC. ANY REPRODUCTION IN PART OR AS A WHOLE WITHOUT THE WRITTEN PERMISSION OF BEGA NORTH AMERICA, INC. IS PROHIBITED. | | SIZE B | PART NO. 84803 | REV - | |
| NOT TO SCALE | | 4/20/2026 | SHEET 1 OF 1 | | |