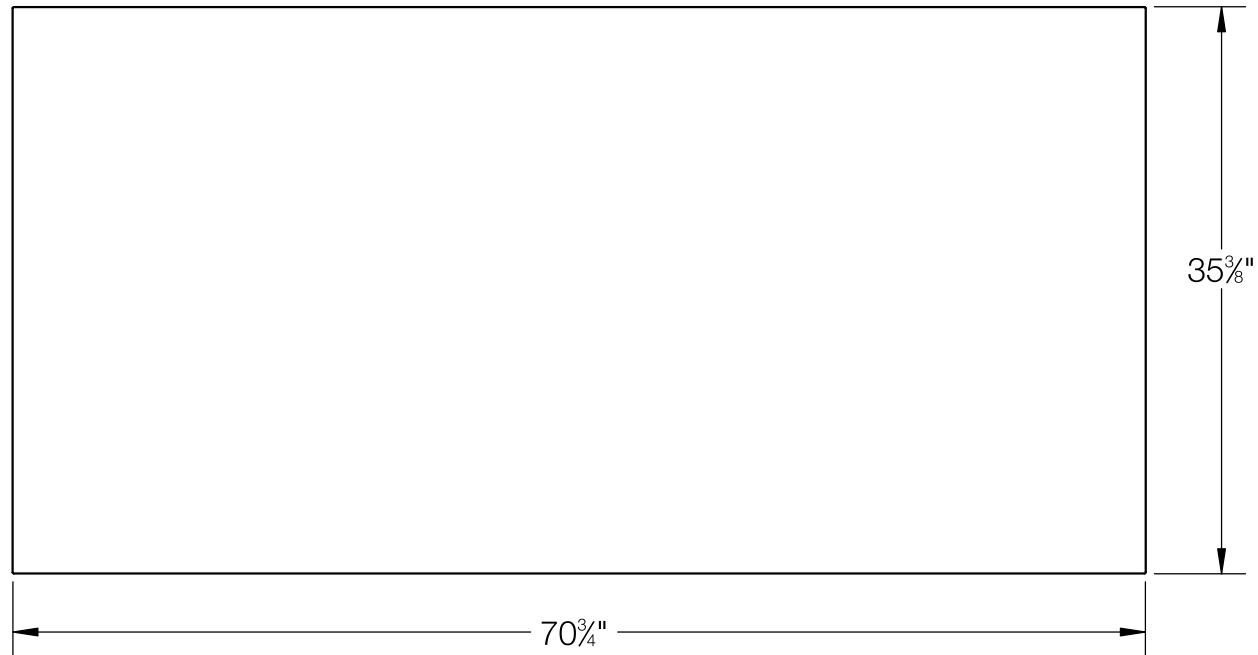
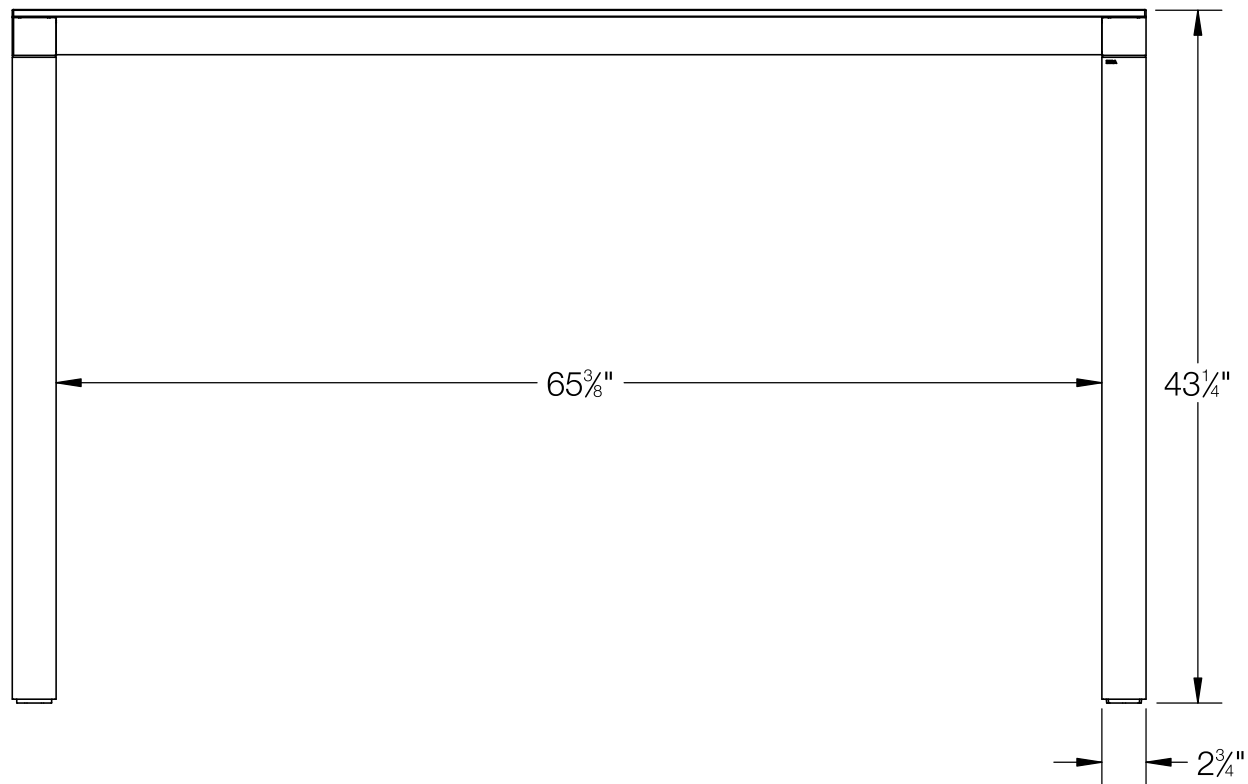


REV	CHANGED BY	DESCRIPTION	DATE

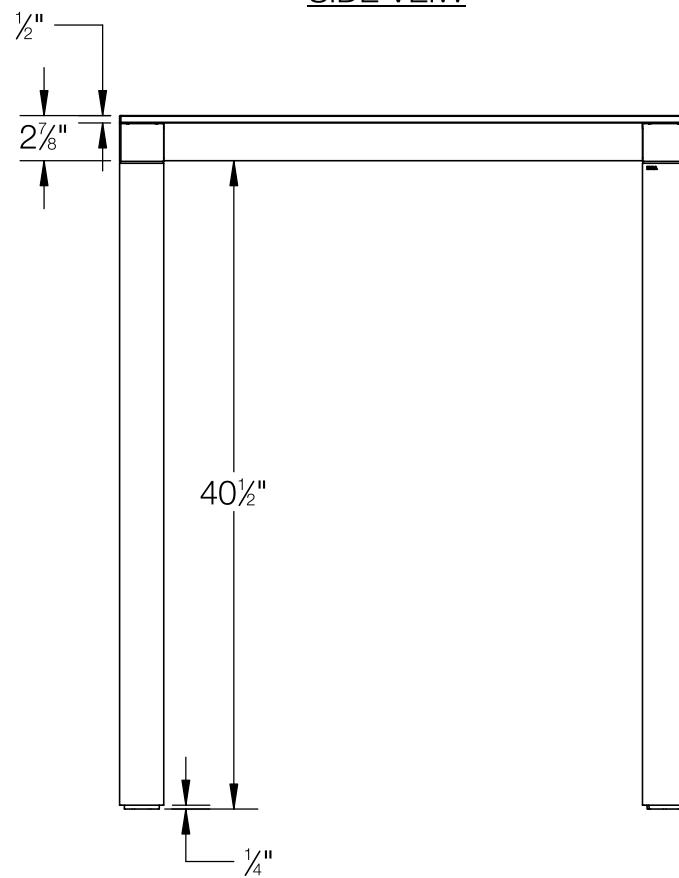
TOP VIEW



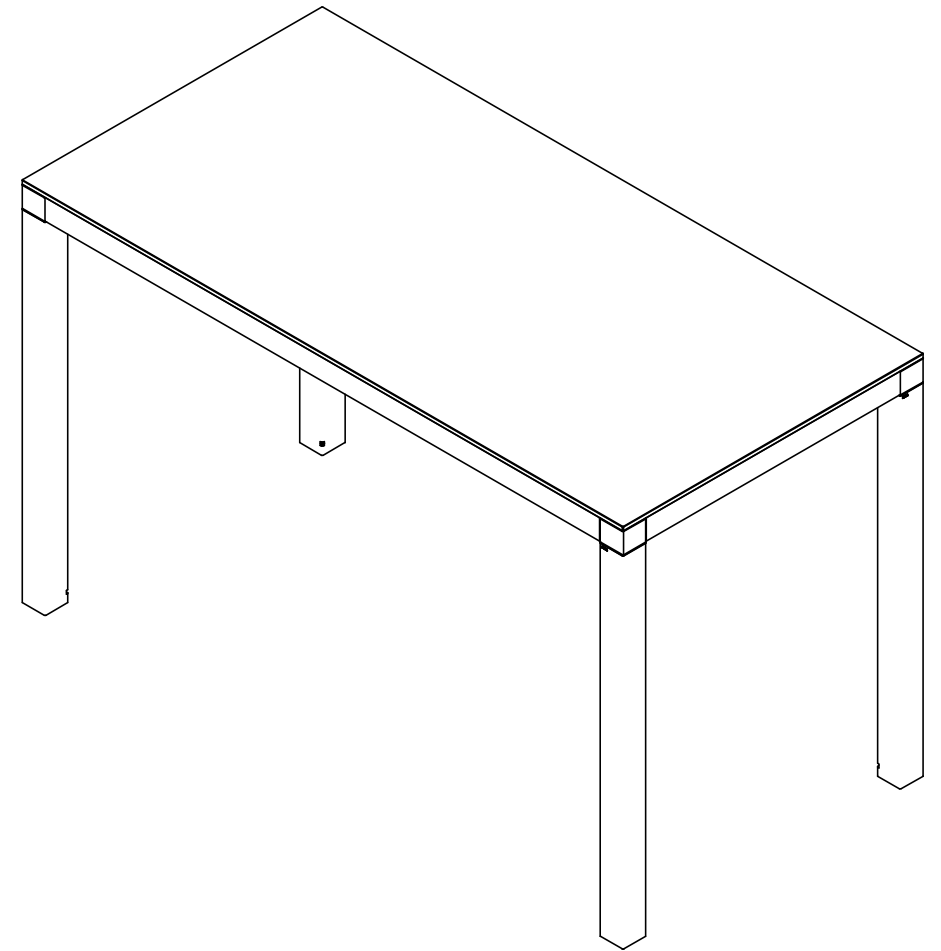
FRONT VIEW



SIDE VIEW



ISOMETRIC VIEW



NOTE:
 1. SLEEVE ANCHOR KIT INCLUDED
 2. TEMPLATE INCLUDED - SEE INSTALLATION INSTRUCTIONS

BEGA

1000 BEGA Way, Carpinteria, California 93013 P (805) 684-0533 - www.bega-us.com

APPROVED: _____ DATE: _____ DESCRIPTION: TABLE - RECTANGULAR
 TYPE: _____ BAR HEIGHT

PROPRIETARY AND CONFIDENTIAL THE INFORMATION CONTAINED IN THIS DRAWING IS THE SOLE PROPERTY OF BEGA NORTH AMERICA, INC. ANY REPRODUCTION IN PART OR AS A WHOLE WITHOUT THE WRITTEN PERMISSION OF BEGA NORTH AMERICA, INC. IS PROHIBITED.	SIZE	PART NO.	REV
	B	95024	-
NOT TO SCALE	2/26/2025	SHEET 1 OF 1	