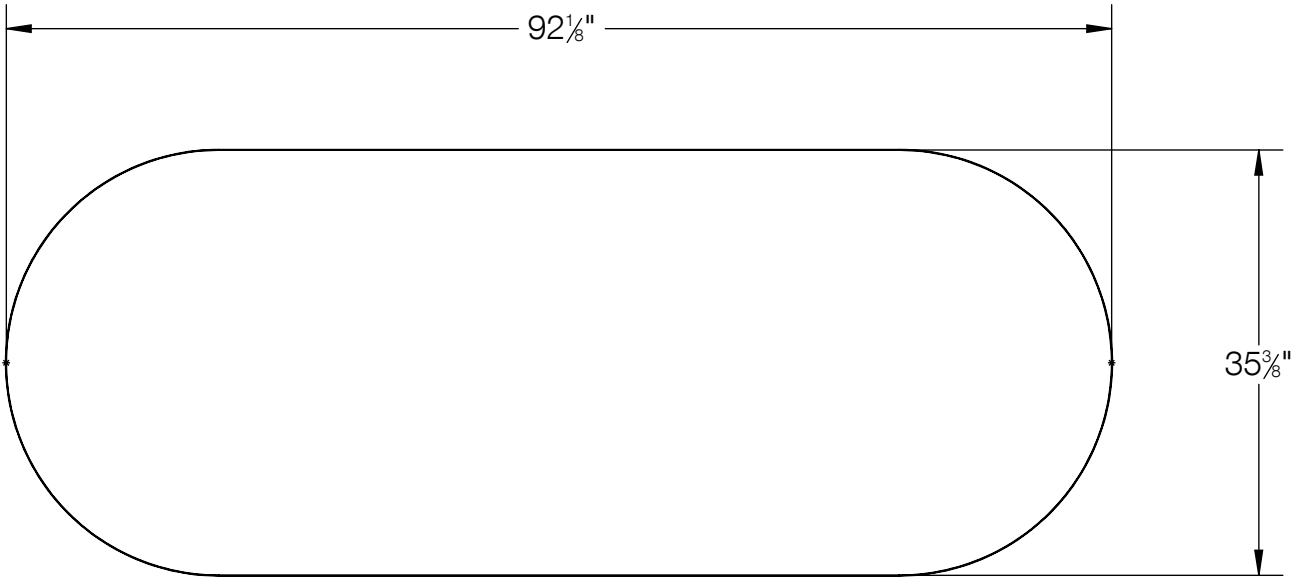
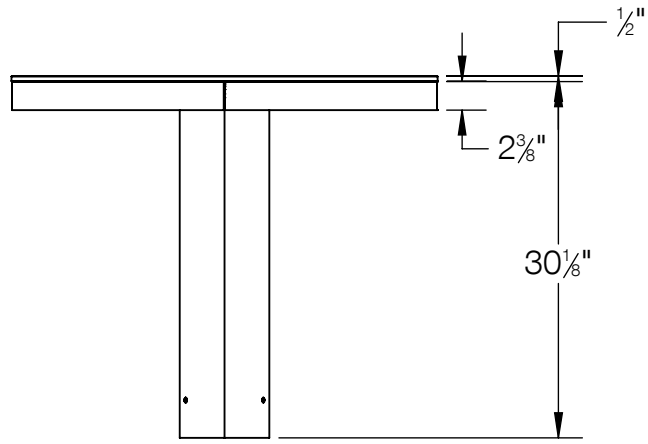
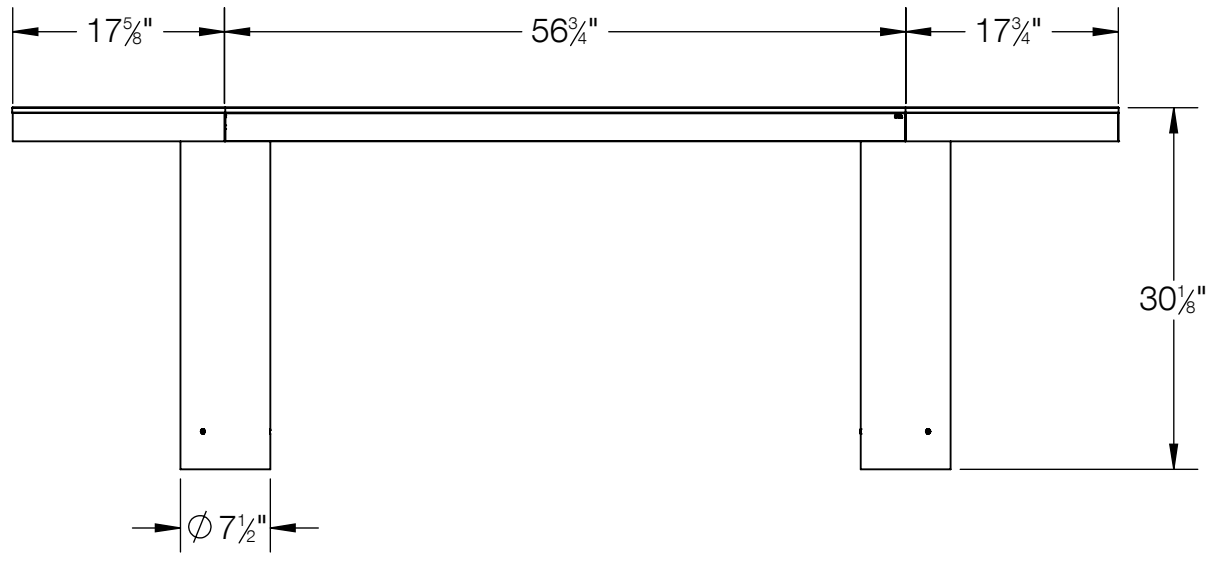
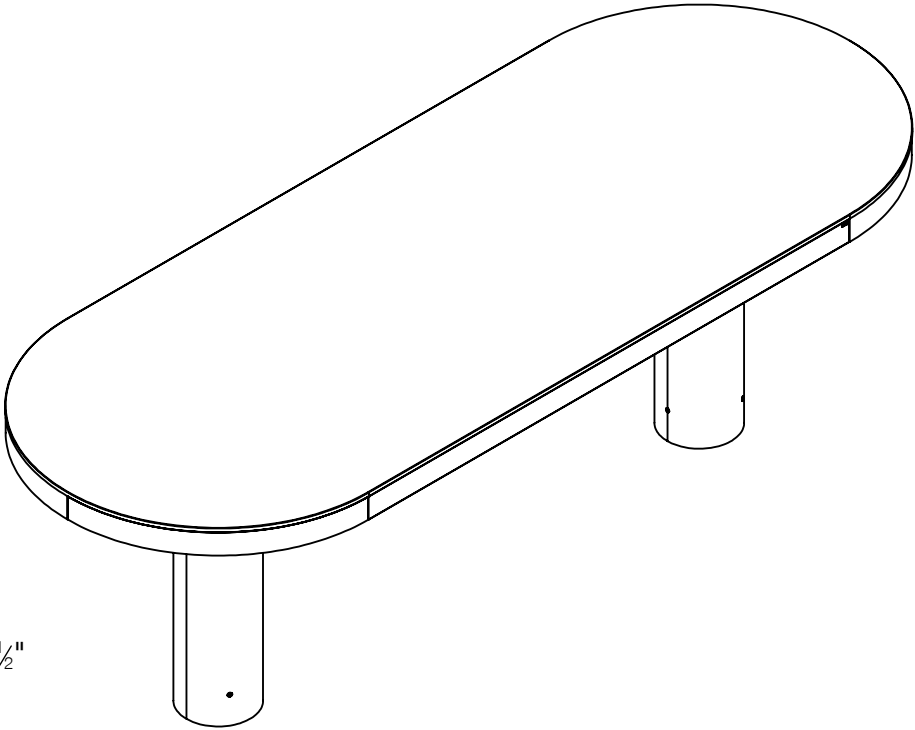


REV	CHANGED BY	DESCRIPTION	DATE



NOTE:
 1. SLEEVE ANCHOR KIT INCLUDED
 2. TEMPLATE INCLUDED - SEE INSTALLATION INSTRUCTIONS



BEGA

1000 BEGA Way, Carpinteria, California 93013 P (805) 684-0533 - www.bega-us.com

APPROVED: _____ DATE: _____
 TYPE: _____

DESCRIPTION: **TABLE - OVAL**

PROPRIETARY AND CONFIDENTIAL
 THE INFORMATION CONTAINED IN THIS DRAWING IS THE SOLE PROPERTY
 OF BEGA NORTH AMERICA, INC.
 ANY REPRODUCTION IN PART OR AS A WHOLE WITHOUT THE WRITTEN
 PERMISSION OF BEGA NORTH AMERICA, INC. IS PROHIBITED.

SIZE B	PART NO. 95045	REV -
------------------	--------------------------	-----------------

NOT TO SCALE 5/14/2026 SHEET 1 OF 1