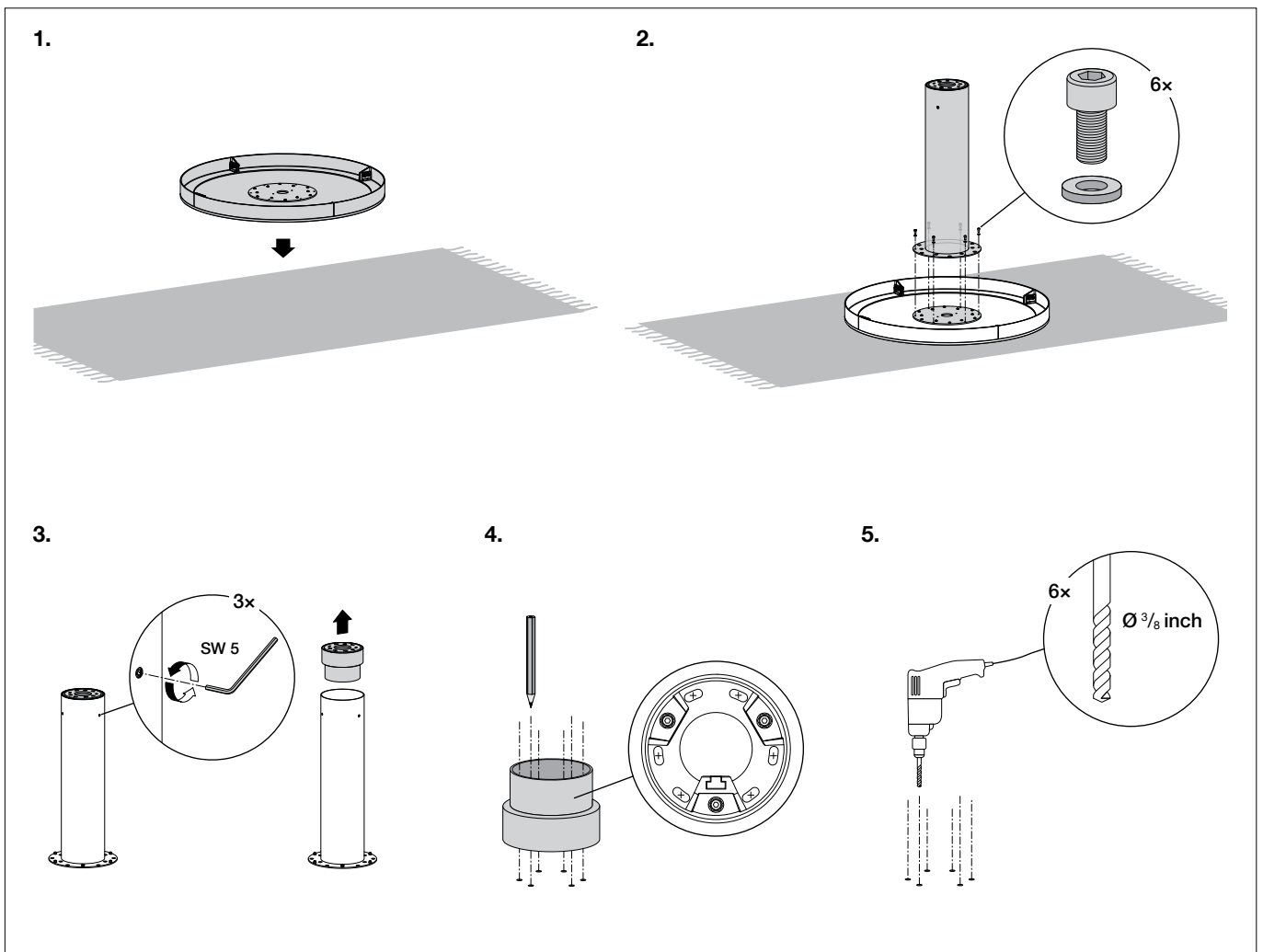
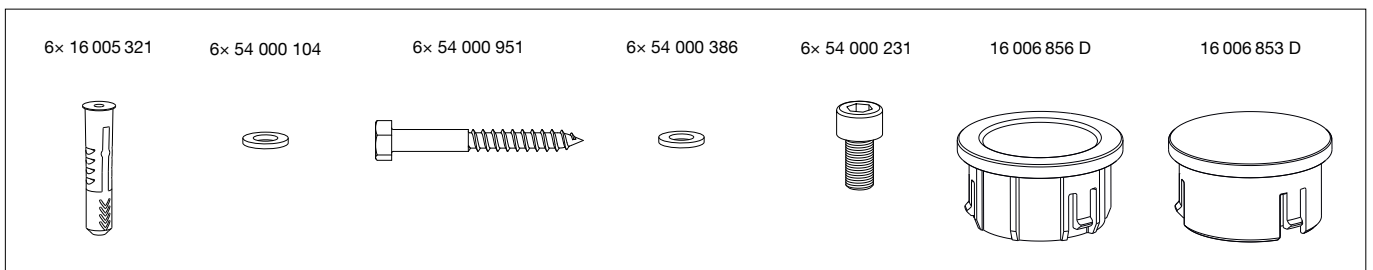
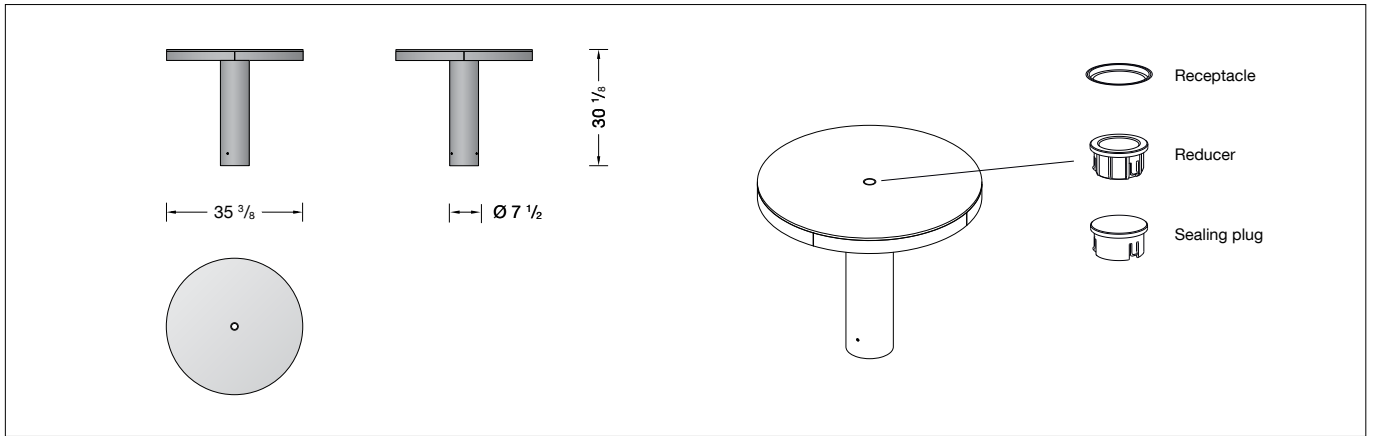
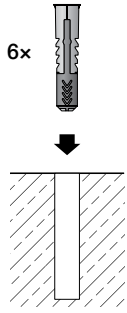


Table · Round with umbrella hole

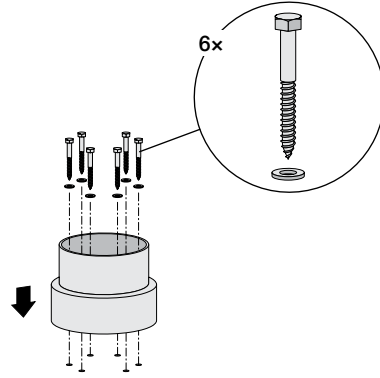
Installation instructions



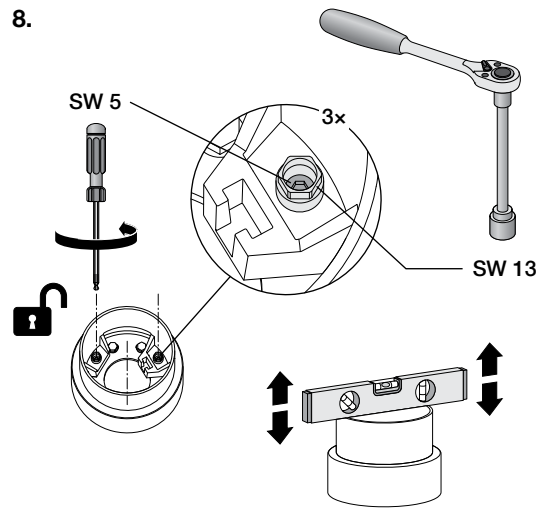
6.



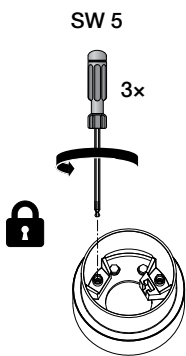
7.



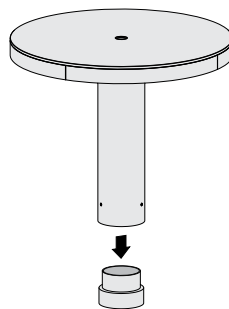
8.



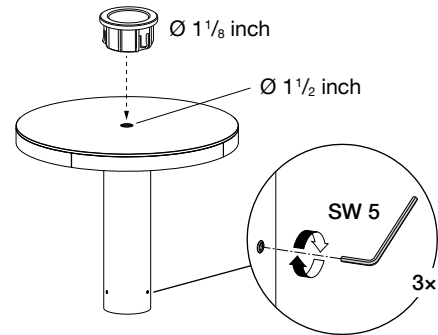
9.



10.



11.



**Spares**

Sealing plug  
Reduction sleeve

16006853D  
16006856D

16006856D Bega Way, Carpinteria, CA 93013 (805)684-0533 © copyright BEGA 2026  
Due to the dynamic nature of our products and the associated technologies, data on this sheet is subject to change at the discretion of BEGA North America. For the most current technical data, please consult factory.