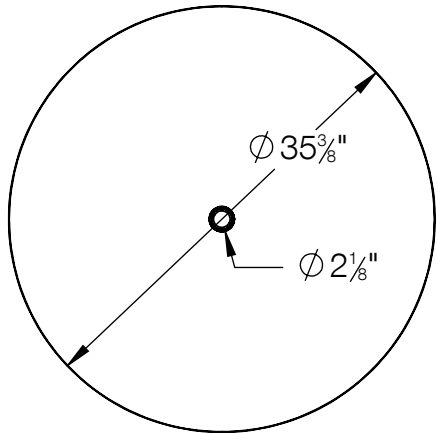
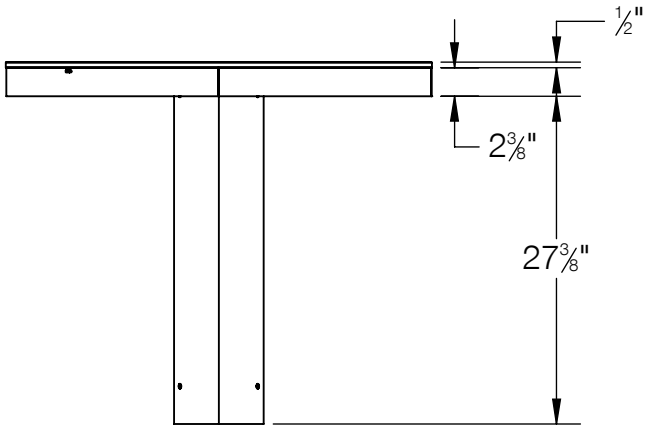
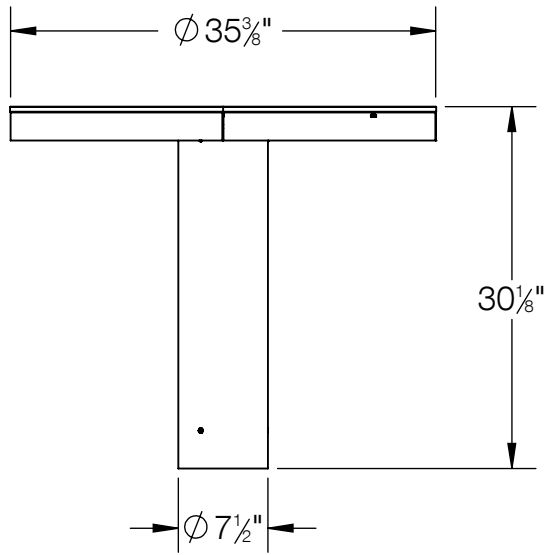
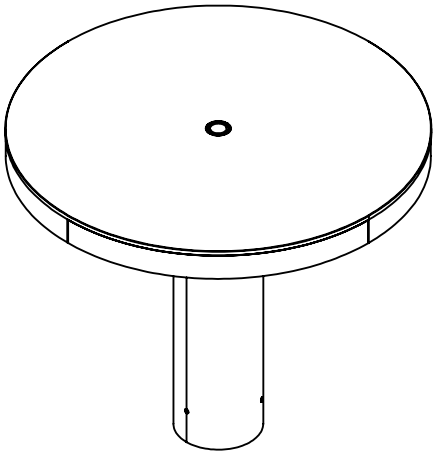


REV	CHANGED BY	DESCRIPTION	DATE



NOTE:  
 1. SLEEVE ANCHOR KIT INCLUDED  
 2. TEMPLATE INCLUDED - SEE INSTALLATION INSTRUCTIONS



**BEGA**

1000 BEGA Way, Carpinteria, California 93013

P (805) 684-0533 - www.bega-us.com

APPROVED: \_\_\_\_\_ DATE: \_\_\_\_\_  
 TYPE: \_\_\_\_\_

DESCRIPTION:  
 TABLE - ROUND WITH UMBRELLA HOLE

PROPRIETARY AND CONFIDENTIAL  
 THE INFORMATION CONTAINED IN THIS DRAWING IS THE SOLE PROPERTY  
 OF BEGA NORTH AMERICA, INC.  
 ANY REPRODUCTION IN PART OR AS A WHOLE WITHOUT THE WRITTEN  
 PERMISSION OF BEGA NORTH AMERICA, INC. IS PROHIBITED.

SIZE <b>B</b>	PART NO. <b>95048</b>	REV -
NOT TO SCALE	5/14/2026	SHEET 1 OF 1