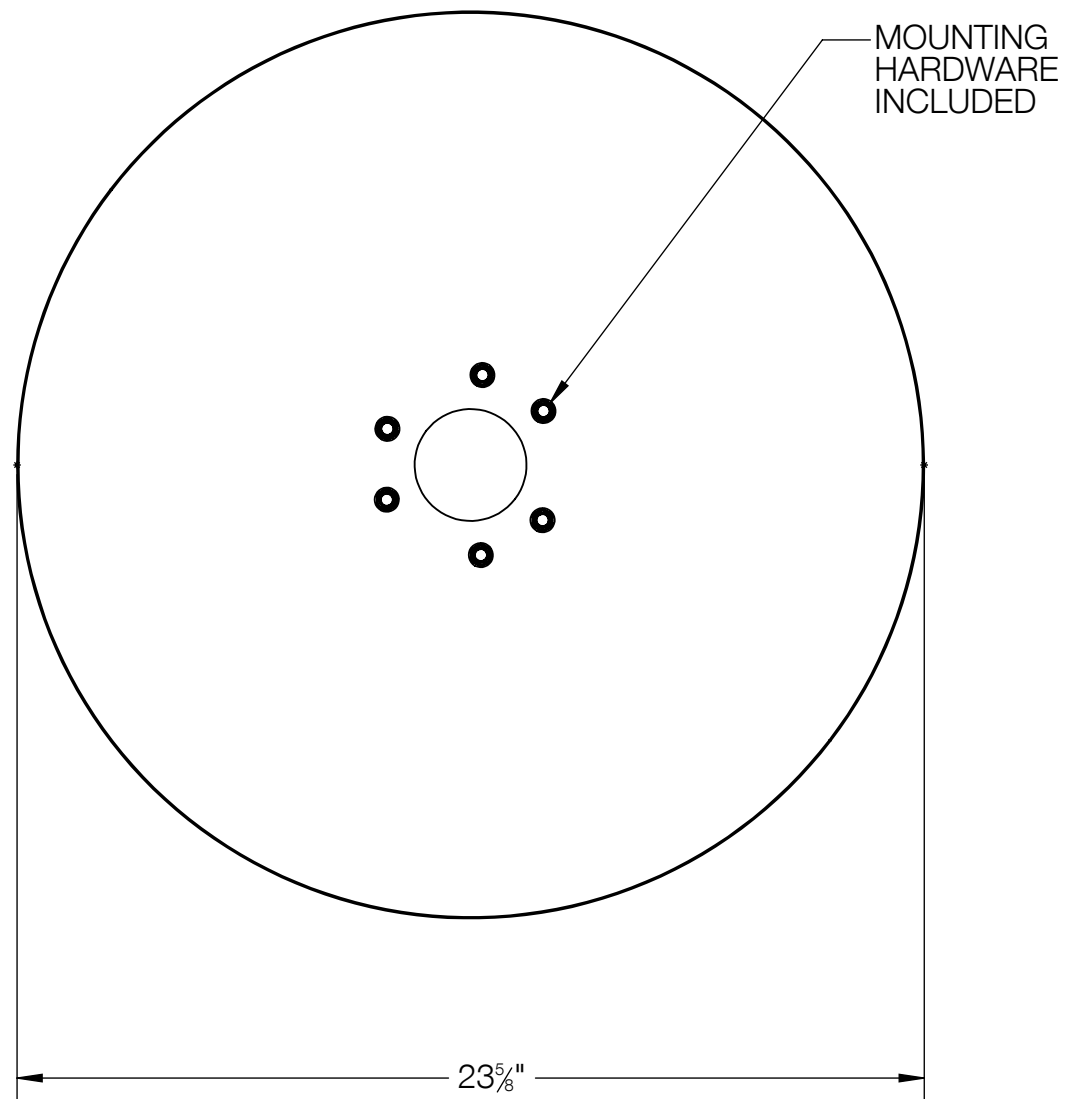
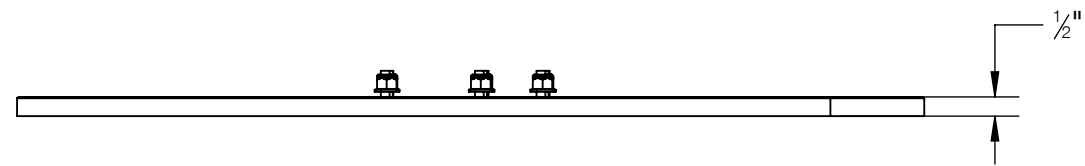
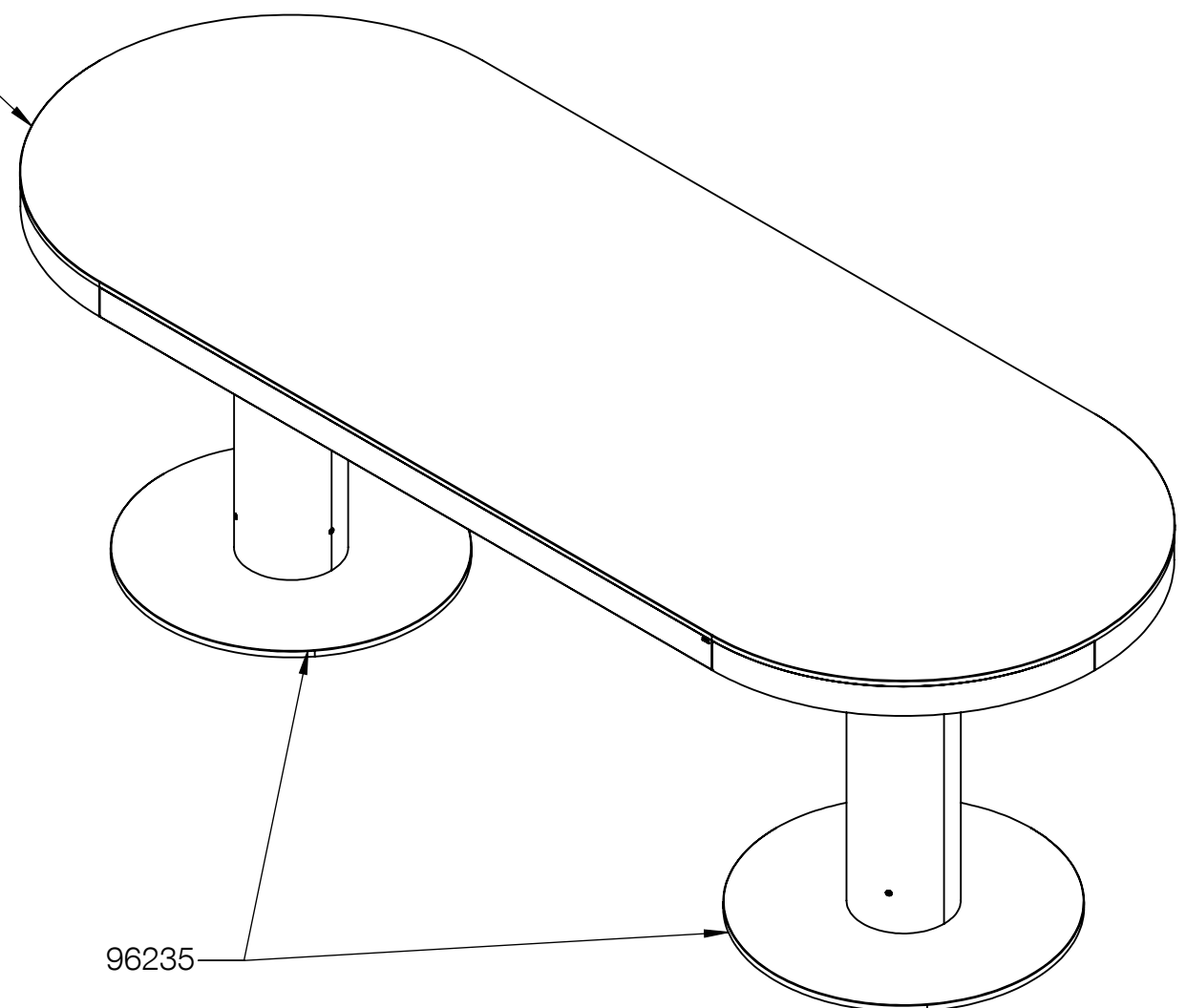


REV	CHANGED BY	DESCRIPTION	DATE



95045



96235

SHOWN WITH TABLE 95045  
(NOT INCLUDED)

- NOTES:
1. BASE PLATE ACCESSORY FOR MOUNTING BEGA TABLE WITHOUT PERMANENT ATTACHMENT TO THE INSTALLATION SURFACE.
  2. COMES WITH (2X) BASE PLATES
  3. FOR USE WITH OVAL TABLE 95045 OR 95046

<b>BEGA</b>							
1000 BEGA Way, Carpinteria, California 93013 <span style="float: right;">P (805) 684-0533 - www.bega-us.com</span>							
APPROVED: _____ DATE: _____	DESCRIPTION: BASE PLATE - DOUBLE POST OVAL TABLE						
TYPE: _____							
<small>PROPRIETARY AND CONFIDENTIAL</small> <small>THE INFORMATION CONTAINED IN THIS DRAWING IS THE SOLE PROPERTY OF BEGA NORTH AMERICA, INC.</small> <small>ANY REPRODUCTION IN PART OR AS A WHOLE WITHOUT THE WRITTEN PERMISSION OF BEGA NORTH AMERICA, INC. IS PROHIBITED.</small>	<table border="1"> <tr> <td>SIZE</td> <td>PART NO.</td> <td>REV</td> </tr> <tr> <td>B</td> <td>96235</td> <td>-</td> </tr> </table>	SIZE	PART NO.	REV	B	96235	-
	SIZE	PART NO.	REV				
B	96235	-					
NOT TO SCALE	6/18/2026 <span style="float: right;">SHEET 1 OF 1</span>						