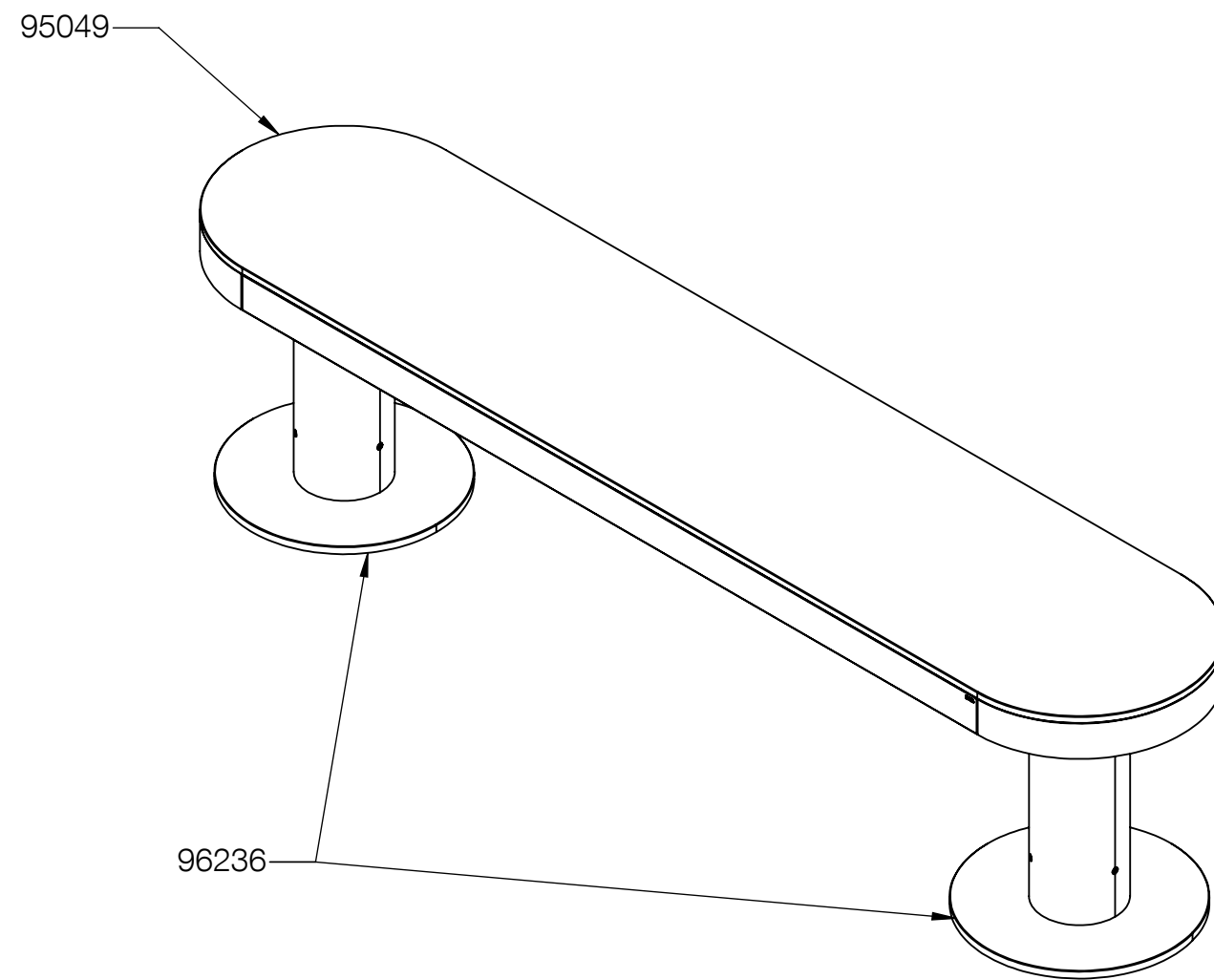
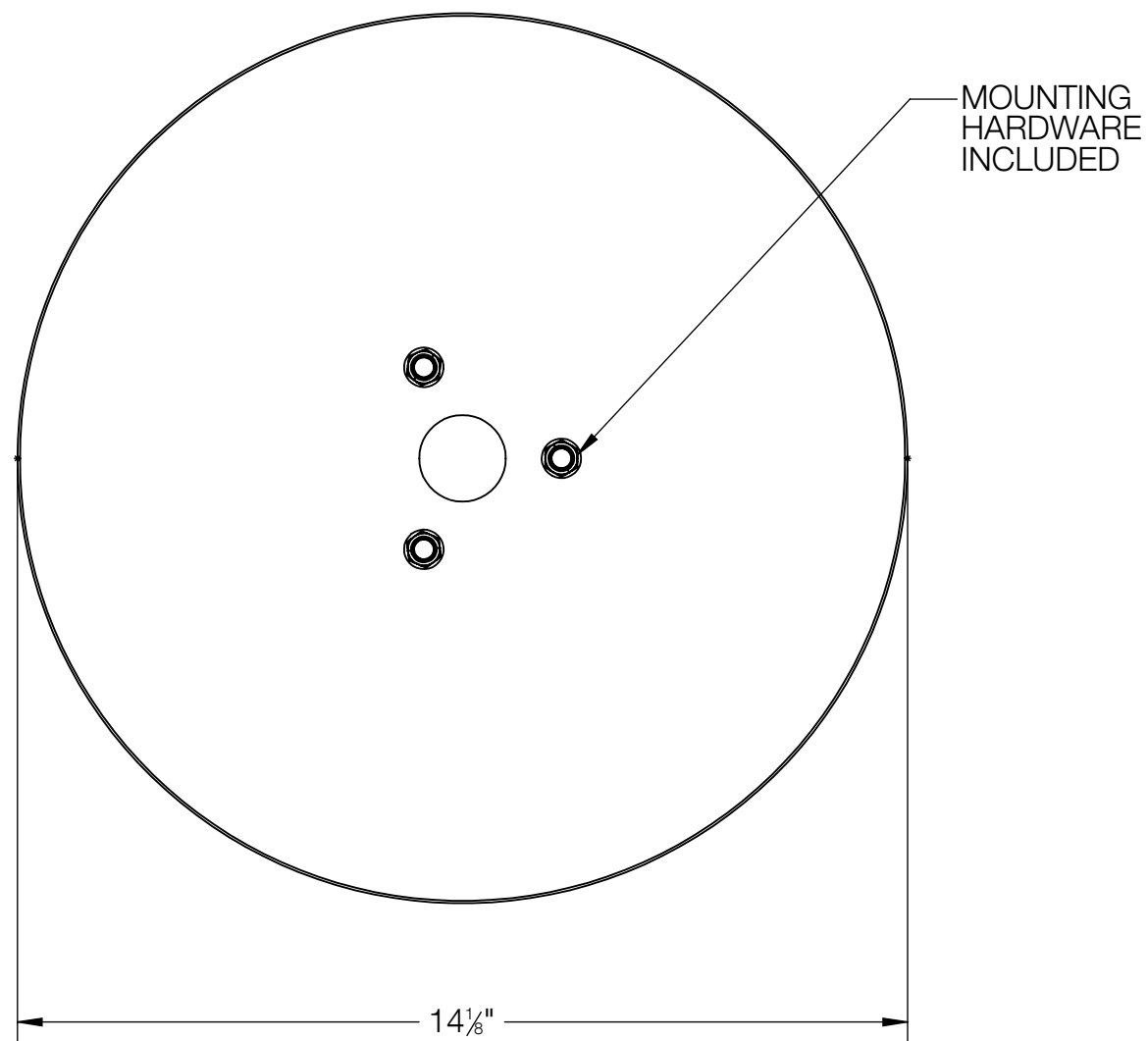
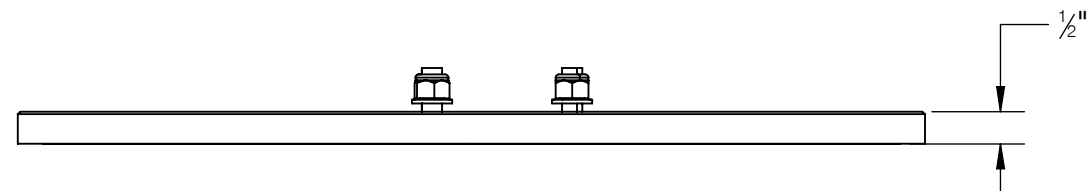


REV	CHANGED BY	DESCRIPTION	DATE



- NOTES:
1. BASE PLATE ACCESSORY FOR MOUNTING BEGA BENCH WITHOUT PERMANENT ATTACHMENT TO THE INSTALLATION SURFACE.
 2. COMES WITH (2X) BASE PLATES
 3. FOR USE WITH OVAL BENCH 95049

BEGA		1000 BEGA Way, Carpinteria, California 93013		P (805) 684-0533 - www.bega-us.com	
APPROVED: _____ DATE: _____		DESCRIPTION: BASE PLATE - DOUBLE-POST BENCH SEATING			
TYPE: _____		SIZE B		PART NO. 96236	
PROPRIETARY AND CONFIDENTIAL THE INFORMATION CONTAINED IN THIS DRAWING IS THE SOLE PROPERTY OF BEGA NORTH AMERICA, INC. ANY REPRODUCTION IN PART OR AS A WHOLE WITHOUT THE WRITTEN PERMISSION OF BEGA NORTH AMERICA, INC. IS PROHIBITED.		NOT TO SCALE		REV -	
		6/9/2026		SHEET 1 OF 1	