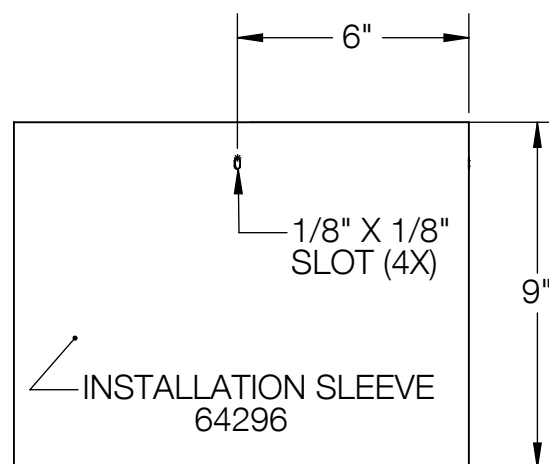
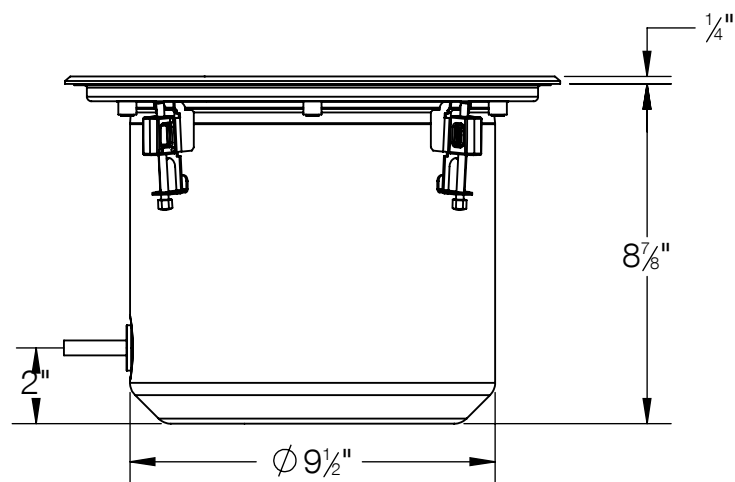
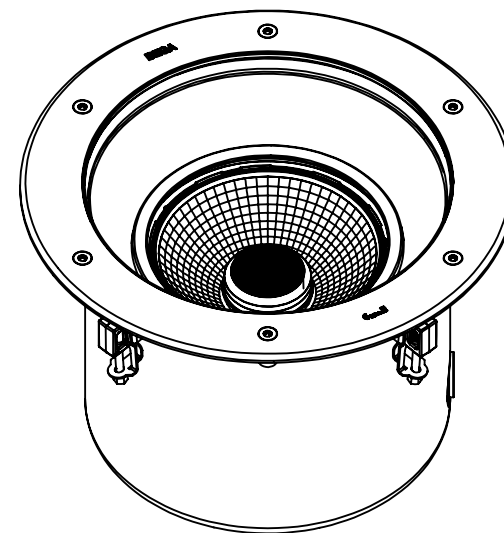
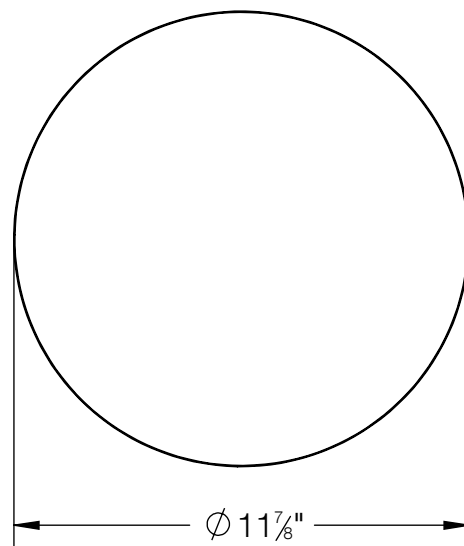
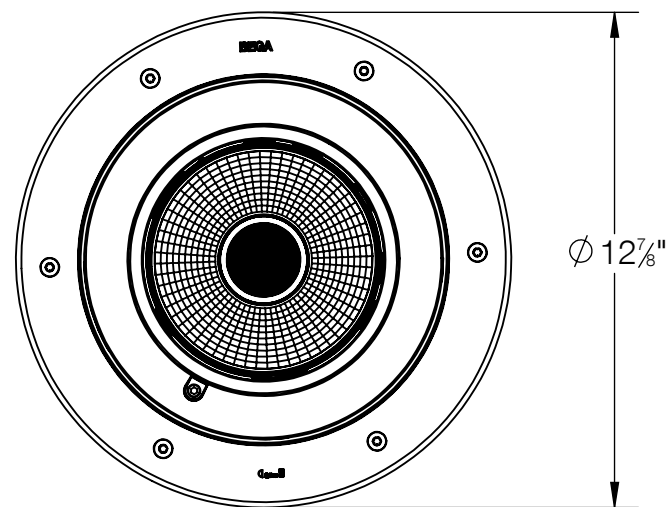


REV	CHANGED BY	DESCRIPTION	DATE



- NOTE:
1. INSTALLATION SLEEVE INCLUDED
 2. FIXING IS ACHIEVED BY USING FOUR WEDGE SHAPED CLAMPING ELEMENTS
 3. MUST SUPPLY MINIMUM 6" OF ADEQUATE DRAINAGE
 4. ADJUSTABLE OPTICAL ASSEMBLY: 0-30° TILT AND 360° ROTATABLE
 5. INCLUDES KIT #76 - WATERPROOF CONNECTORS

BEGA

1000 BEGA Way, Carpinteria, California 93013

P (805) 684-0533 - www.bega-us.com

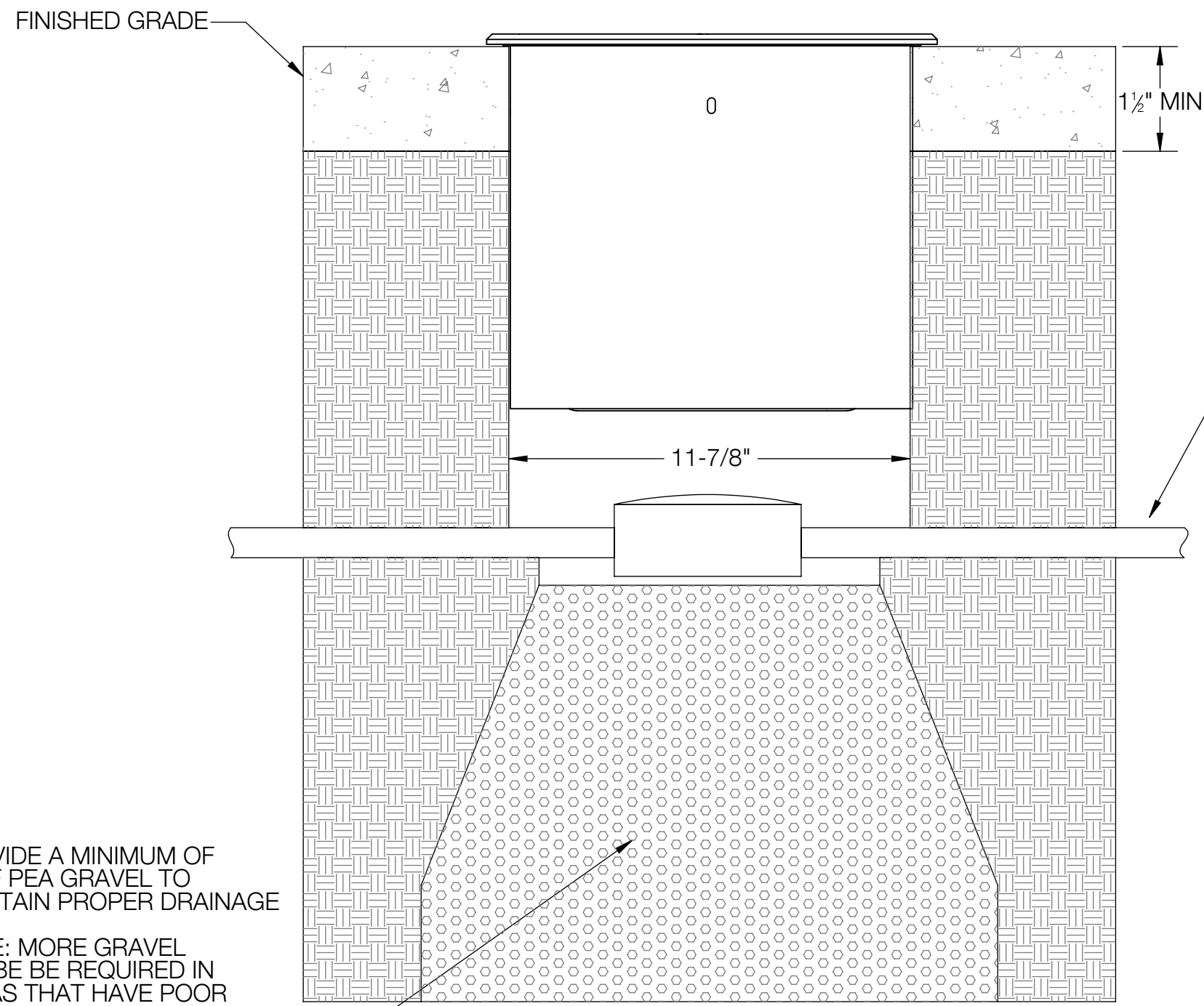
APPROVED: _____ DATE: _____
TYPE: _____

DESCRIPTION:
IN-GRADE LUMINAIRE - ADJUSTABLE - WIDE BEAM

PROPRIETARY AND CONFIDENTIAL
THE INFORMATION CONTAINED IN THIS DRAWING IS THE SOLE PROPERTY OF BEGA NORTH AMERICA, INC. ANY REPRODUCTION IN PART OR AS A WHOLE WITHOUT THE WRITTEN PERMISSION OF BEGA NORTH AMERICA, INC. IS PROHIBITED.

SIZE	PART NO.	REV
B	84792	-
NOT TO SCALE	4/23/2026	SHEET 1 OF 2

REV	CHANGED BY	DESCRIPTION	DATE



WATERPROOF J-BOX
(BY OTHERS)
MINIMUM 4"
RECOMMENDED BELOW
FIXTURE FOR CABLE AND
JUNCTION BOX

NOTES:

1. INSTALLATION HOUSING/SLEEVE INCLUDED
2. REQUIRED RECESSED OPENING Ø 11-7/8"
3. THE UPPER EDGE OF THE RECESS OPENING MUST BE FIRM ON A THICKNESS OF 1 1/2" MIN IN ORDER TO ACCEPT THE CLAMPING FORCES OF THE LUMINAIRE.

PROVIDE A MINIMUM OF 6" OF PEA GRAVEL TO MAINTAIN PROPER DRAINAGE

NOTE: MORE GRAVEL MAYBE BE REQUIRED IN AREAS THAT HAVE POOR SOIL DRAINAGE AND/OR ARE SUBJECT TO FREEZING

BEGA		
1000 BEGA Way, Carpinteria, California 93013		P (805) 684-0533 - www.bega-us.com
APPROVED: _____ DATE: _____	DESCRIPTION: IN-GRADE LUMINAIRE - ADJUSTABLE - WIDE BEAM	
TYPE: _____	SIZE B	PART NO. 84792
PROPRIETARY AND CONFIDENTIAL	REV -	NOT TO SCALE
THE INFORMATION CONTAINED IN THIS DRAWING IS THE SOLE PROPERTY OF BEGA NORTH AMERICA, INC. ANY REPRODUCTION IN PART OR AS A WHOLE WITHOUT THE WRITTEN PERMISSION OF BEGA NORTH AMERICA, INC. IS PROHIBITED.	4/23/2026	SHEET 2 OF 2