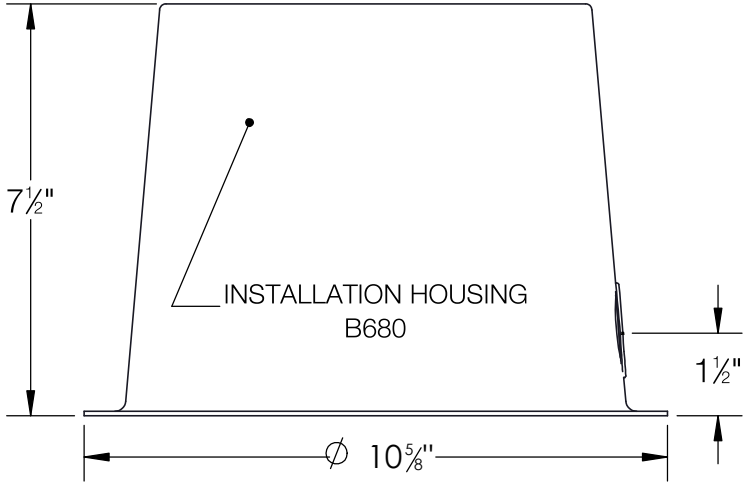
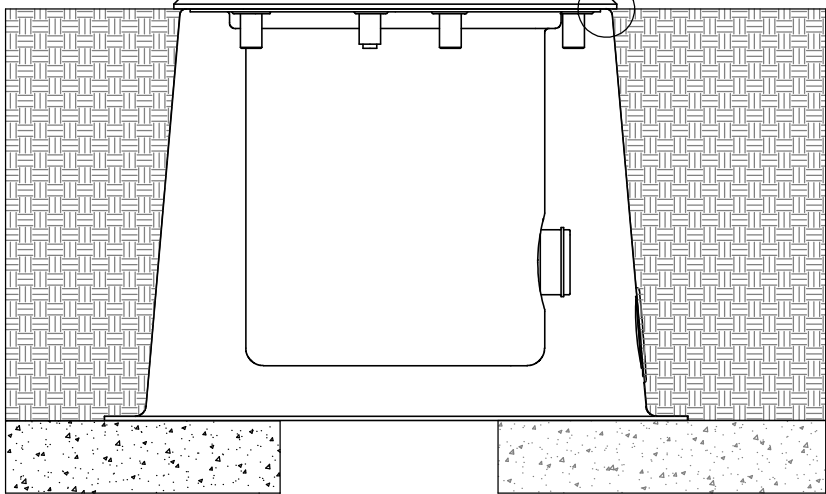
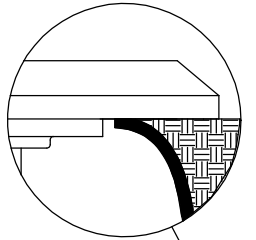
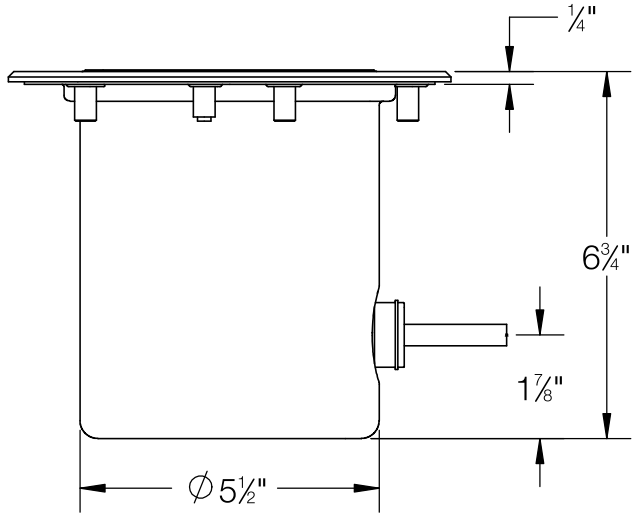
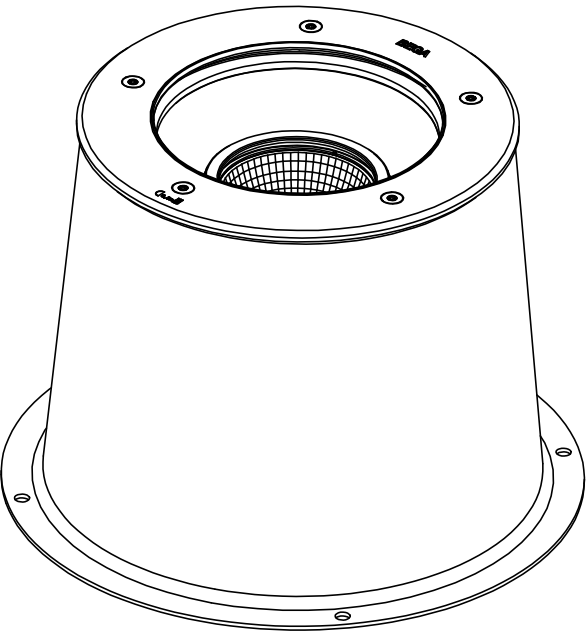
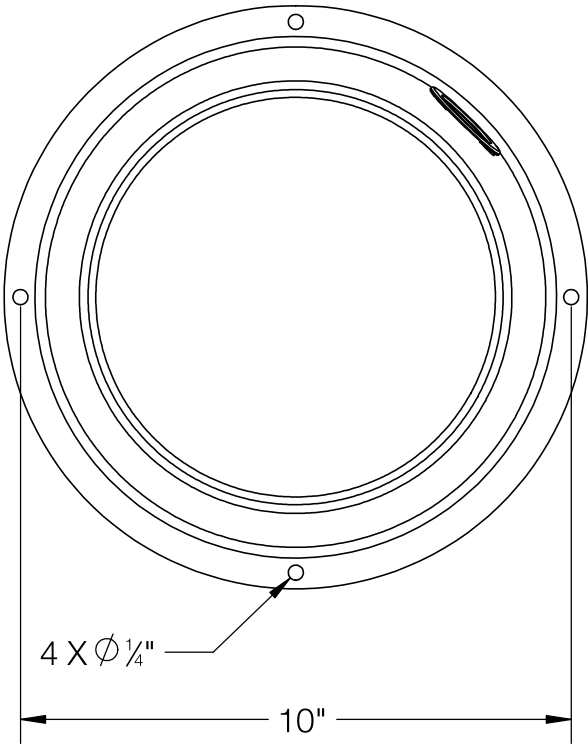
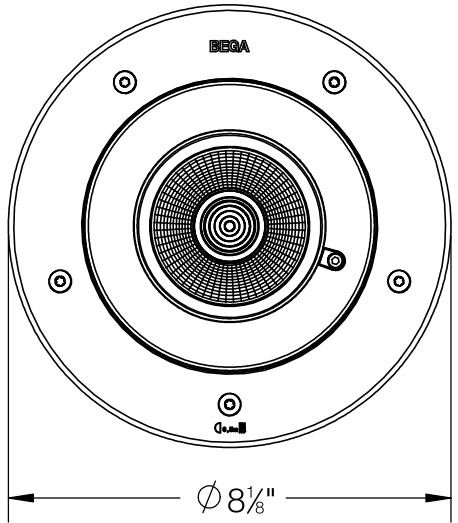


REV	CHANGED BY	DESCRIPTION	DATE



NOTES:

1. INSTALLATION HOUSING INCLUDED
2. MUST SUPPLY MINIMUM OF 6" OF ADEQUATE DRAINING
3. ADJUSTABLE OPTICAL SYSTEM 0-30° SWIVEL-MOUNTED AND 360° INFINITELY ROTATABLE

BEGA		
1000 BEGA Way, Carpinteria, California 93013		P (805) 684-0533 - www.bega-us.com
APPROVED: _____	DATE: _____	DESCRIPTION: IN-GRADE - ADJUSTABLE - WIDE BEAM
TYPE: _____		
PROPRIETARY AND CONFIDENTIAL		SIZE
THE INFORMATION CONTAINED IN THIS DRAWING IS THE SOLE PROPERTY OF BEGA NORTH AMERICA, INC. ANY REPRODUCTION IN PART OR AS A WHOLE WITHOUT THE WRITTEN PERMISSION OF BEGA NORTH AMERICA, INC. IS PROHIBITED.		PART NO. 84797
		REV -
NOT TO SCALE	4/6/2026	SHEET 1 OF 1