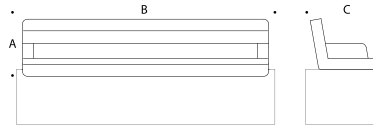


**Hardware Included:**

- 4x 2-3/8" Concrete Screws

**Overview:**

Weight: 111.3 lbs.



**Dimensions**

- A: 18-1/8"
- B: 70-7/8"
- C: 20-3/4"



**Notice to Installer:**

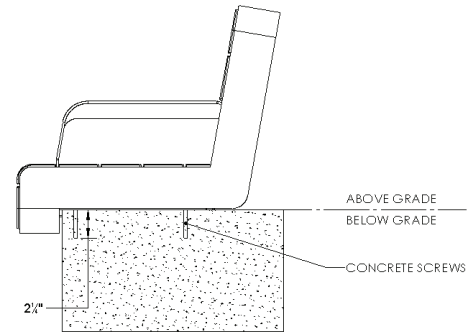
1. Ensure that the installation site is level, stable, and free from any obstructions.
2. Verify that the wall/ground is suitable for anchoring the bench topper securely.
3. Gather all the necessary tools and equipment required for the installation, such as a level, drill, T-30 drill bit.
4. Concrete screws provided for mounting into pre-existing concrete barrier.
5. Ensure that the anchoring or mounting method is suitable for the type of surface and provides adequate stability and security.
6. Consider any local regulations or codes regarding outdoor furniture installation and safety requirements.

**Install Instructions:**

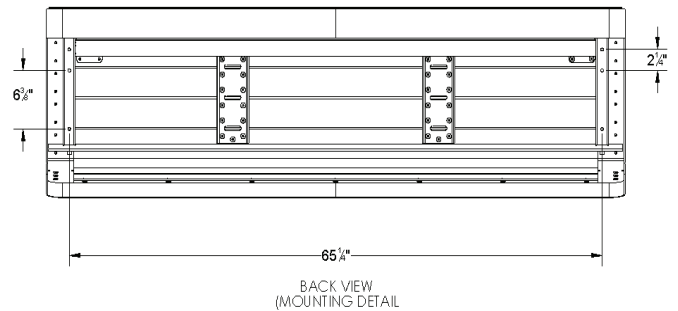
1. Choose a suitable location for the bench topper. Ensure the area is on a level surface that provides stability and comfort and is clear of any debris, rocks, or other obstacles.
  - **NOTE: When installing in soft scape (i.e. mulch, gravel) ensure a suitable concrete pad/foundation is provided to properly anchor the bench topper**
2. Locate the ledge that the bench topper will hang over.
3. Insert anchorage concrete screws into bracing and then into concrete. Level properly.
4. Ensure all components are securely fastened.

Installer agrees that it is solely responsible for preventing accidents and ensuring the safety of its workers who handle, lift, load, or install products supplied by BEGA. In performing such activities, Installer shall comply with its own internal safety policies and all applicable federal, state, and local laws, regulations, ordinances, codes, and standards, including those issued by occupational health and safety authorities, whether currently in effect or enacted in the future. Installer further acknowledges that lifting or carrying loads in excess of 50 pounds may increase the risk of injury and agrees that personnel handling such loads will assess the associated risks and, where appropriate, use two or more individuals or mechanical lifting devices to safely handle or install the products.

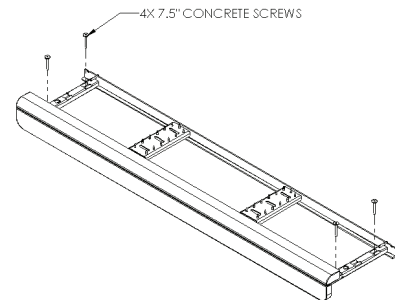
**Figure 1:**



**Figure 2:**



**Figure 3:**



**Maintenance & Care:**

Should cleaning be required, use a rag/cloth dampened with water to remove any contaminants/particulates from the surface of the material. The removal of greasy, oily or sooty substances can take place with the use of white spirit free of aromatic compounds or isopropyl alcohol. Mild cleaning solutions can be utilized though are not required if maintenance is needed.