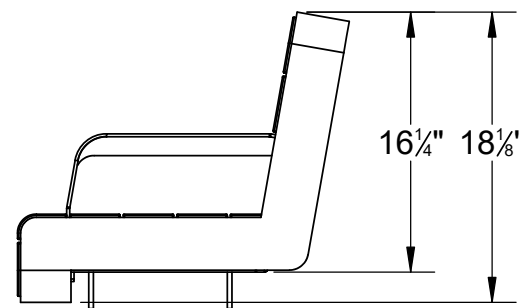
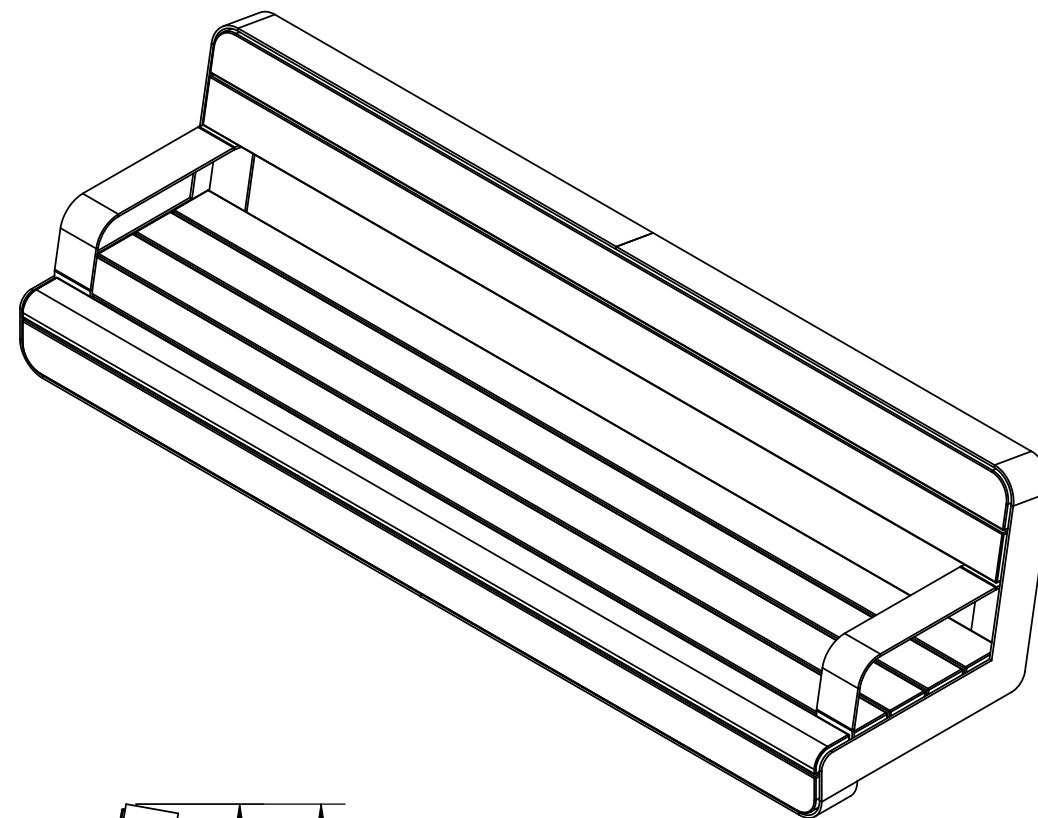
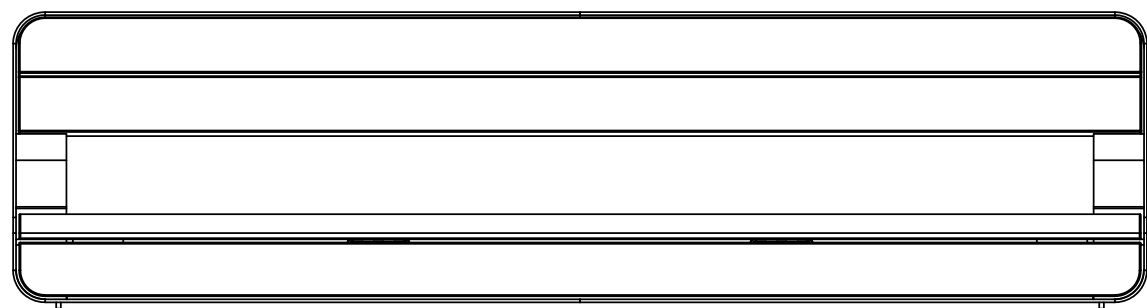
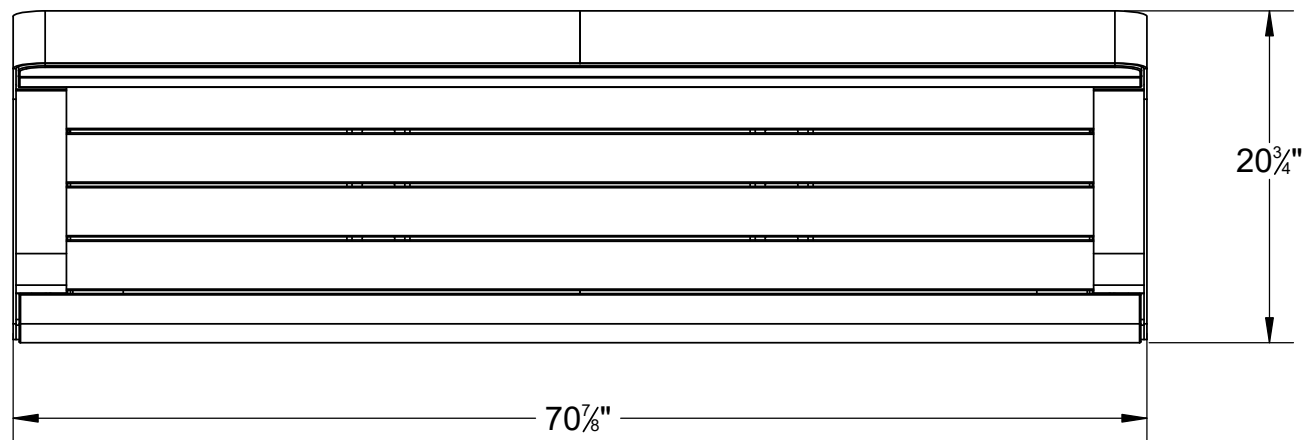


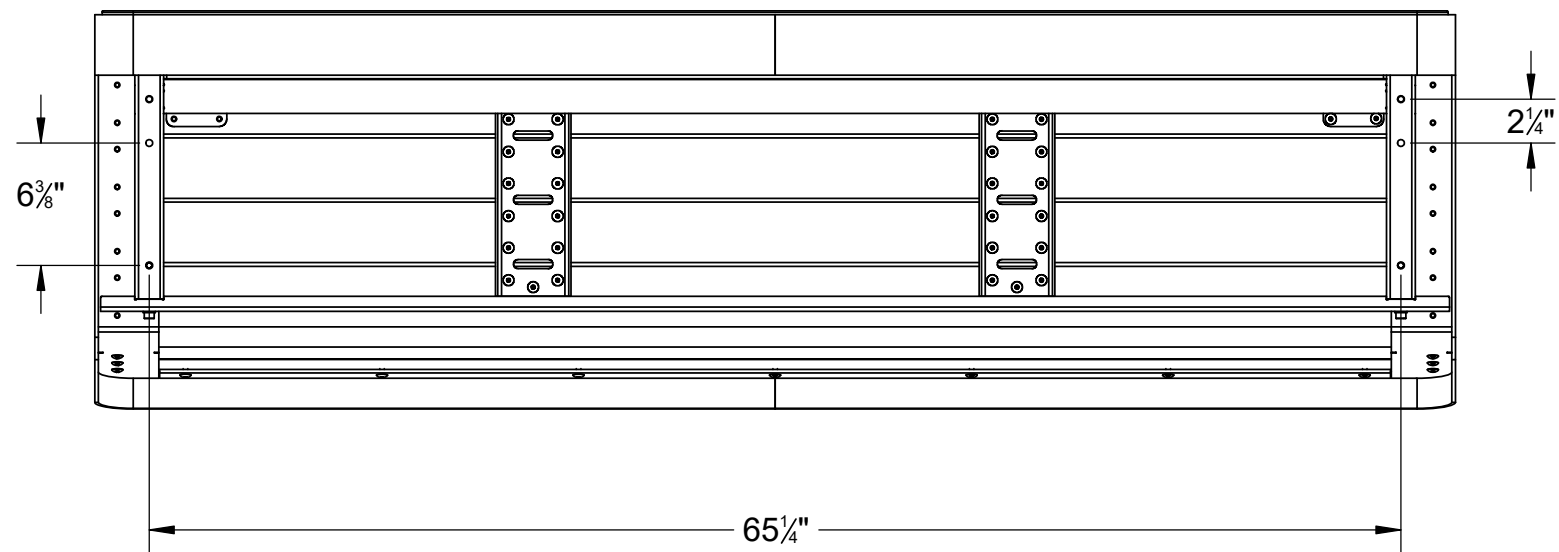
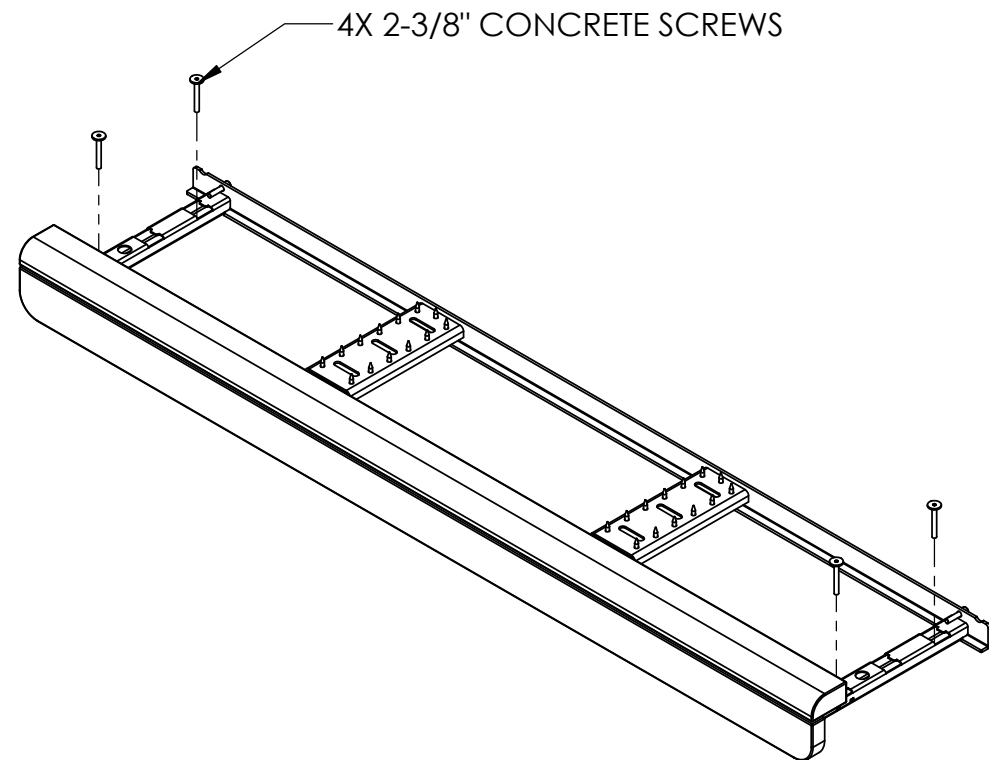
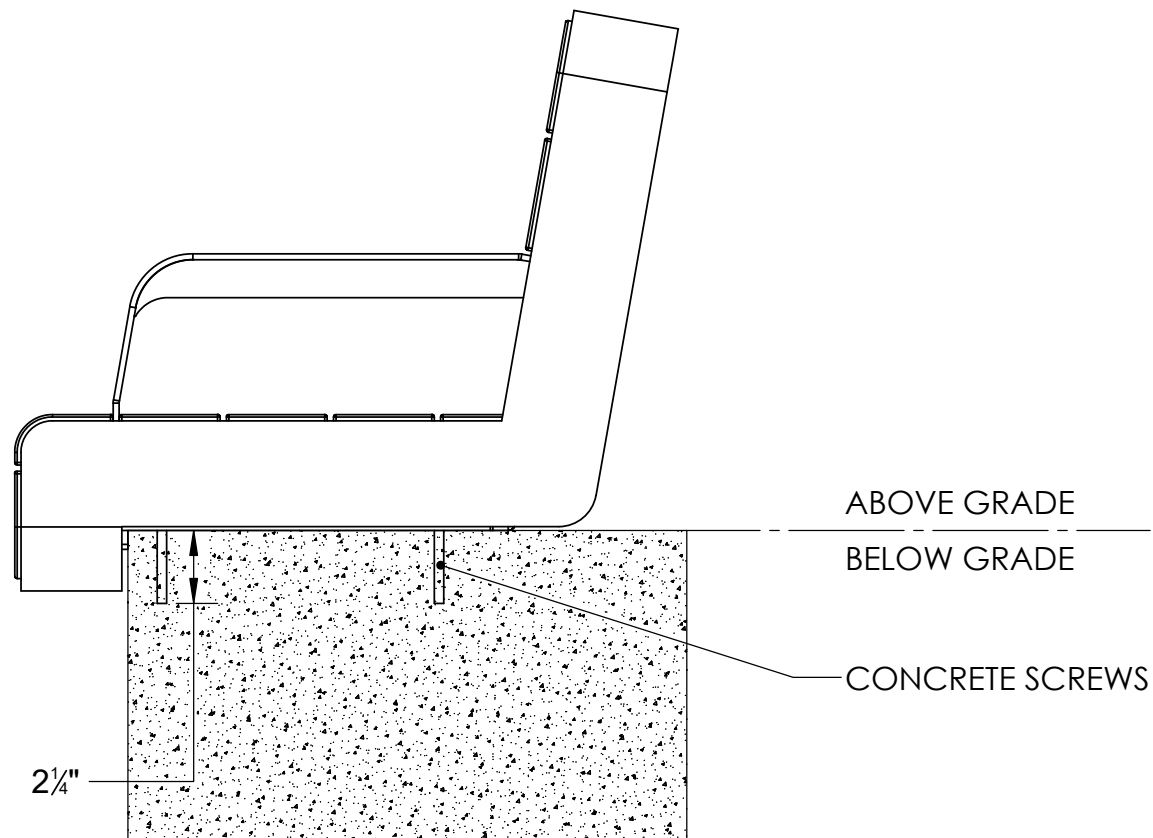
REV	CHANGED BY	DESCRIPTION	DATE



NOTE:  
INCLUDES FOUR ANCHOR BOLTS FOR POURED CONCRETE  
INSTALLATIONS (SEE PAGE 2 FOR ANCHORING DETAILS)

<b>BEGA</b>			
1000 BEGA Way, Carpinteria, California 93013		P (805) 684-0533 - www.bega-us.com	
APPROVED: _____	DATE: _____	DESCRIPTION: BENCH TOPPER	
TYPE: _____		SIZE <b>B</b>	PART NO. FRV0013
<b>PROPRIETARY AND CONFIDENTIAL</b> <small>THE INFORMATION CONTAINED IN THIS DRAWING IS THE SOLE PROPERTY OF BEGA NORTH AMERICA, INC. ANY REPRODUCTION IN PART OR AS A WHOLE WITHOUT THE WRITTEN PERMISSION OF BEGA NORTH AMERICA, INC. IS PROHIBITED.</small>		REV	NOT TO SCALE
		6/17/2026	SHEET 1 OF 2

REV	CHANGED BY	DESCRIPTION	DATE



BACK VIEW  
(MOUNTING DETAIL)

<b>BEGA</b>		1000 BEGA Way, Carpinteria, California 93013		P (805) 684-0533 - www.bega-us.com	
APPROVED: _____ DATE: _____		DESCRIPTION: BENCH TOPPER			
TYPE: _____		SIZE <b>B</b>		PART NO. FRV0013	
<small>           PROPRIETARY AND CONFIDENTIAL            THE INFORMATION CONTAINED IN THIS DRAWING IS THE SOLE PROPERTY OF BEGA NORTH AMERICA, INC. ANY REPRODUCTION IN PART OR AS A WHOLE WITHOUT THE WRITTEN PERMISSION OF BEGA NORTH AMERICA, INC. IS PROHIBITED.         </small>		NOT TO SCALE		6/17/2026	
				SHEET 2 OF 2	